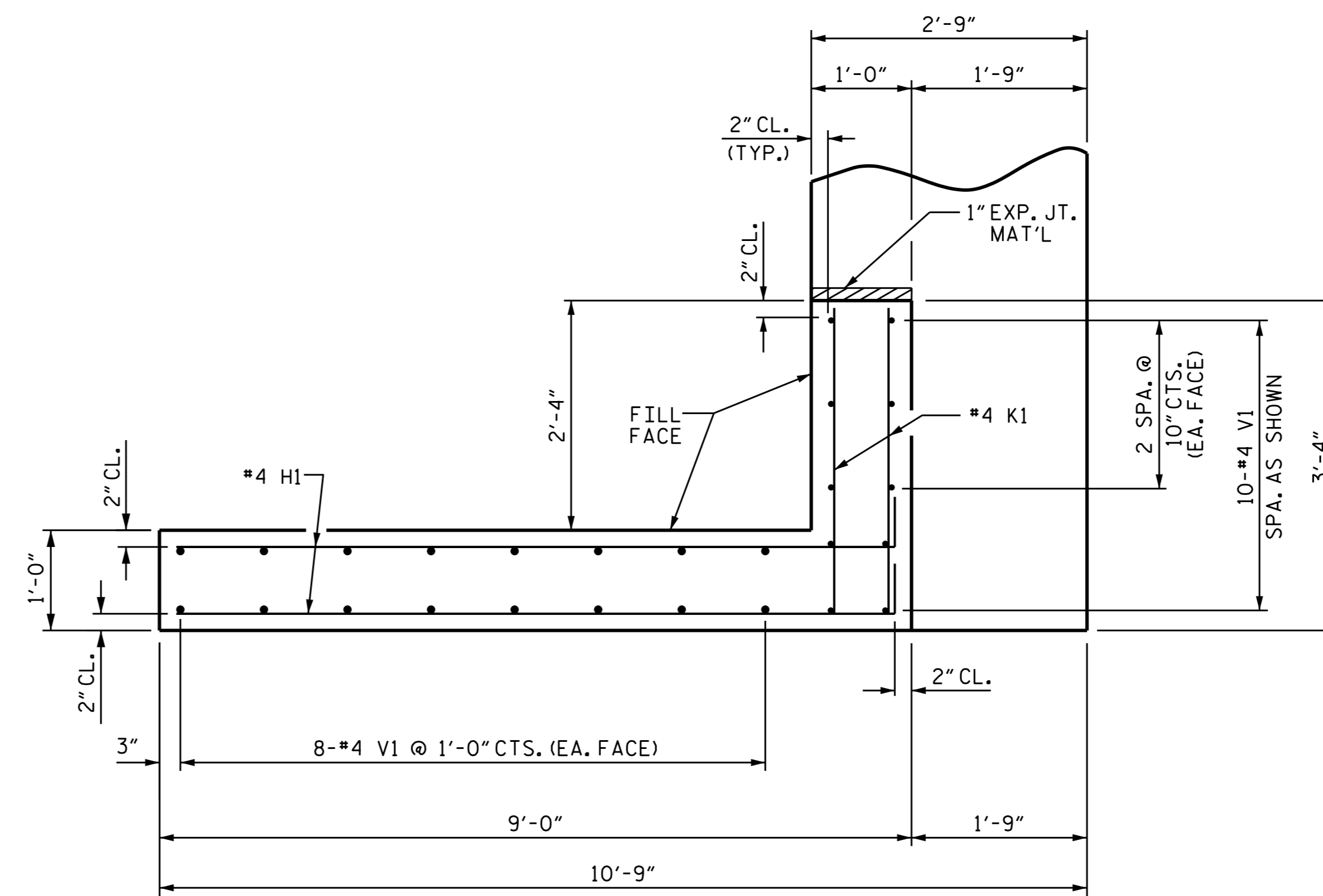
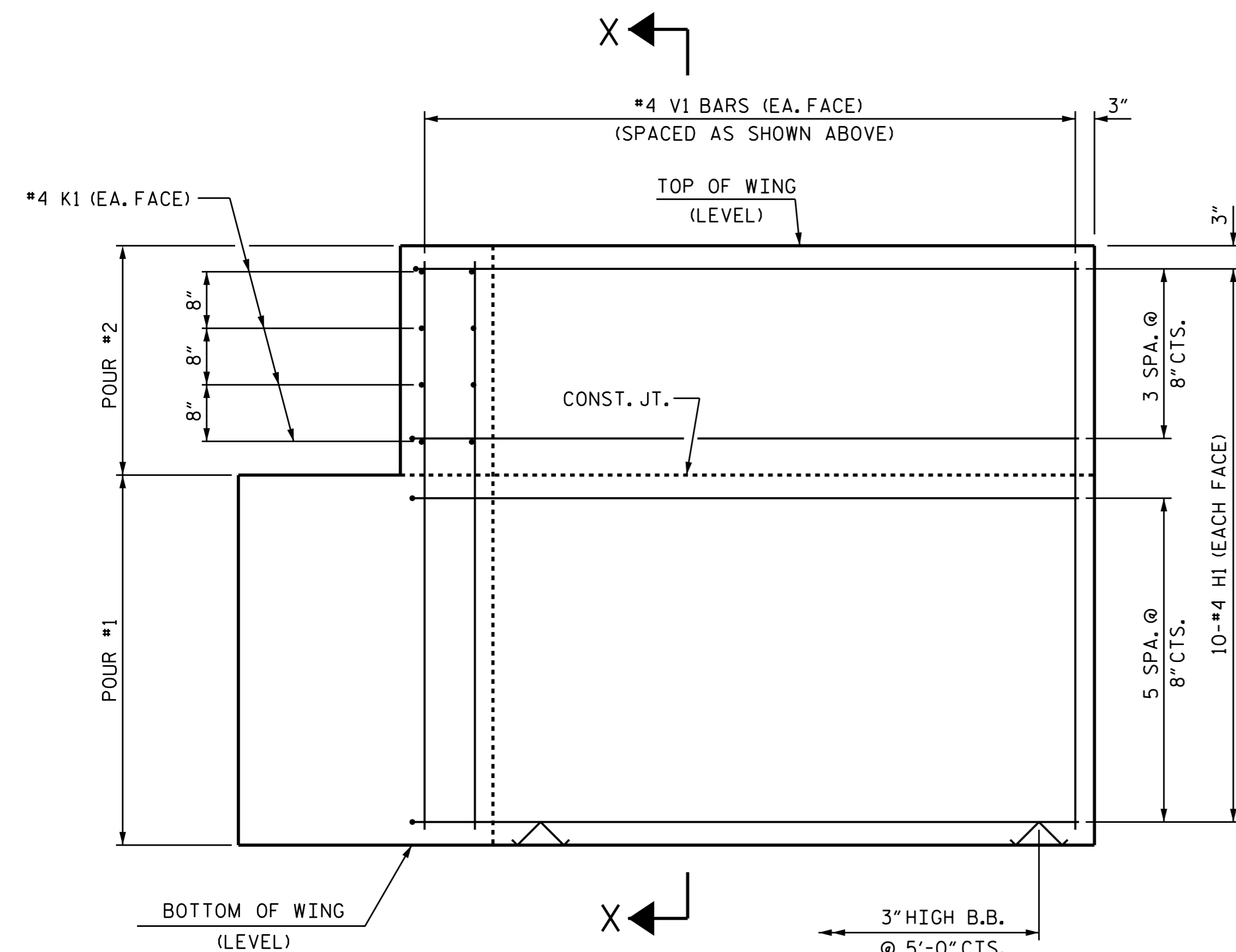


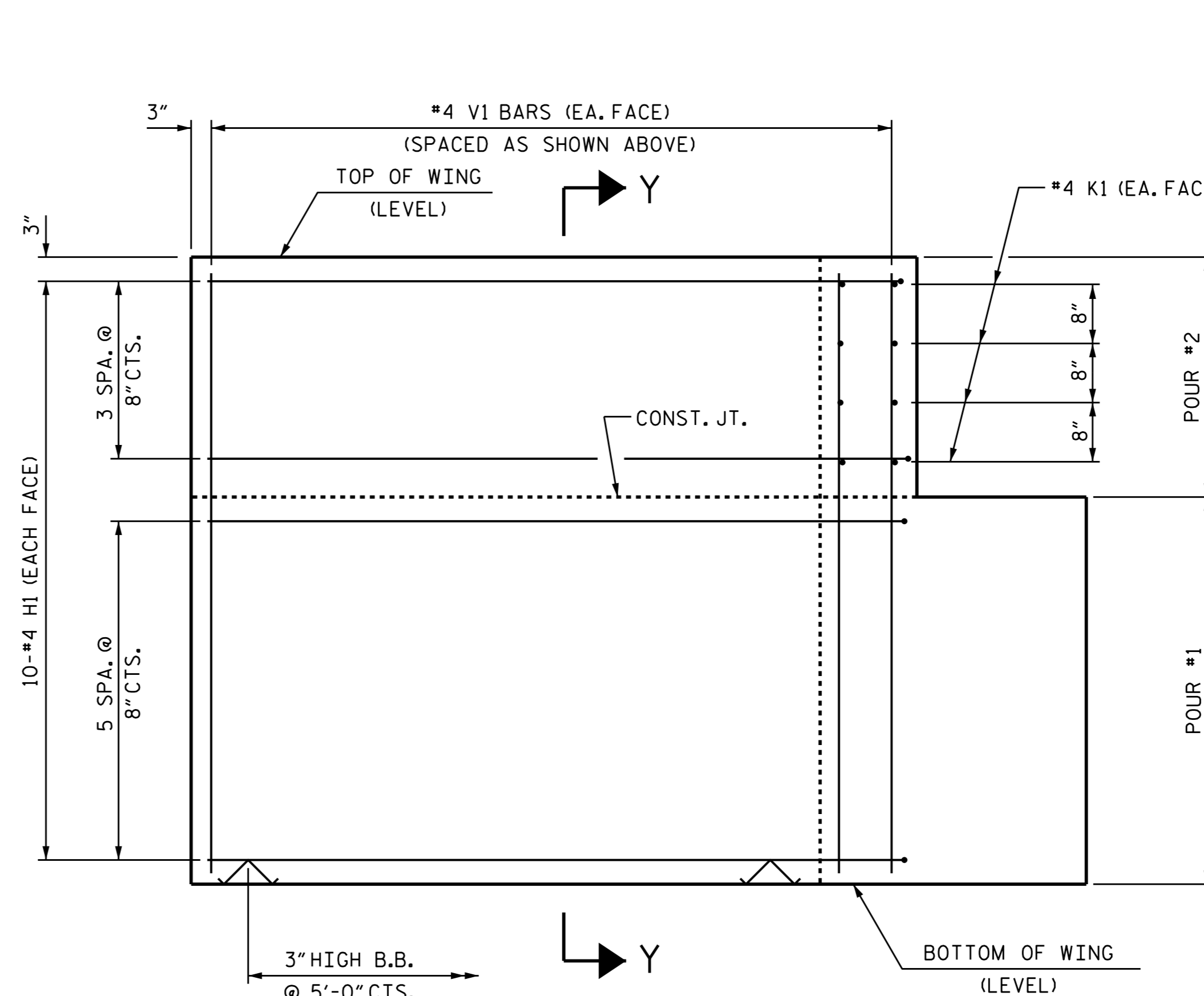
PLAN OF WING (W1)



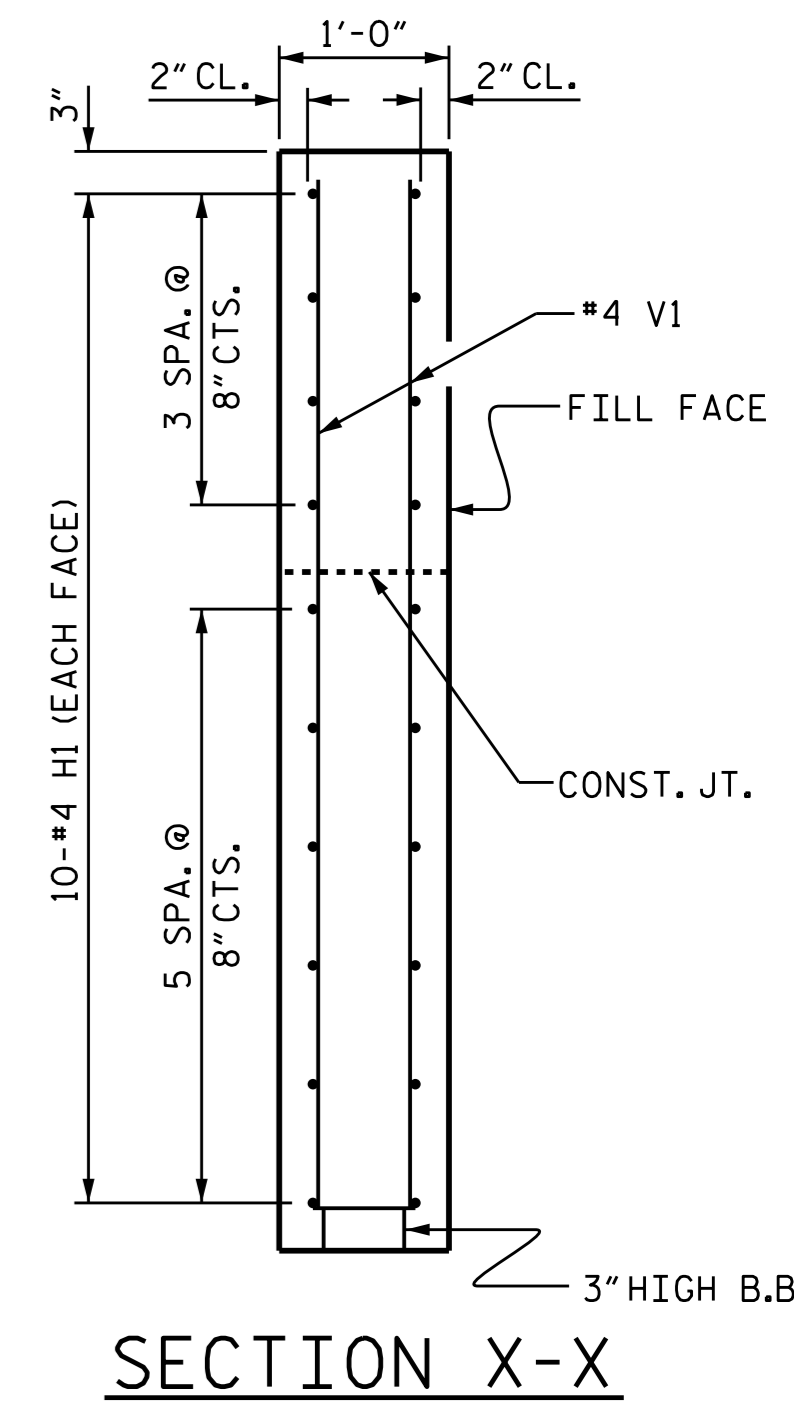
PLAN OF WING (W2)



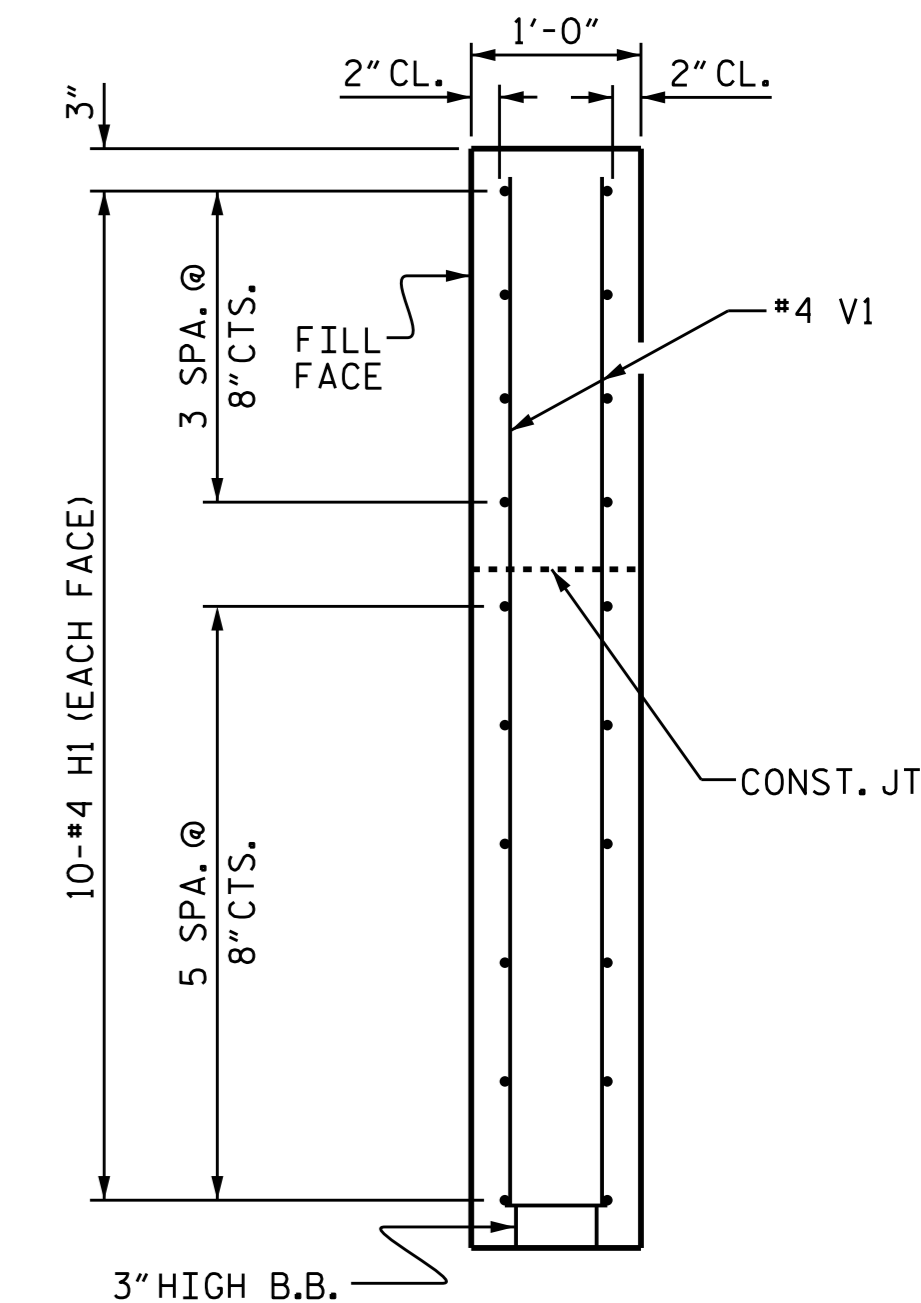
ELEVATION OF WING (W1)



ELEVATION OF WING (W2)



SECTION X-X



SECTION Y-Y

PROJECT NO. B-5403  
 TRANSYLVANIA COUNTY  
 STATION: 14+56.00 -L-

SHEET 3 OF 4



STATE OF NORTH CAROLINA  
 DEPARTMENT OF TRANSPORTATION  
 RALEIGH  
 SUBSTRUCTURE  
 END BENT  
 WING DETAILS

ASSEMBLED BY :	H. T. BARBOUR	DATE :	5-6-15
CHECKED BY :	V. X. NGUYEN	DATE :	5-15
DRAWN BY :	WJH 12/11	REV.	4/15
CHECKED BY :	AAC 12/11	MAA/TMG	

WING DETAILS

REVISIONS						SHEET NO. 5-11
NO.	BY:	DATE:	NO.	BY:	DATE:	
1			3			TOTAL SHEETS 14
2			4			