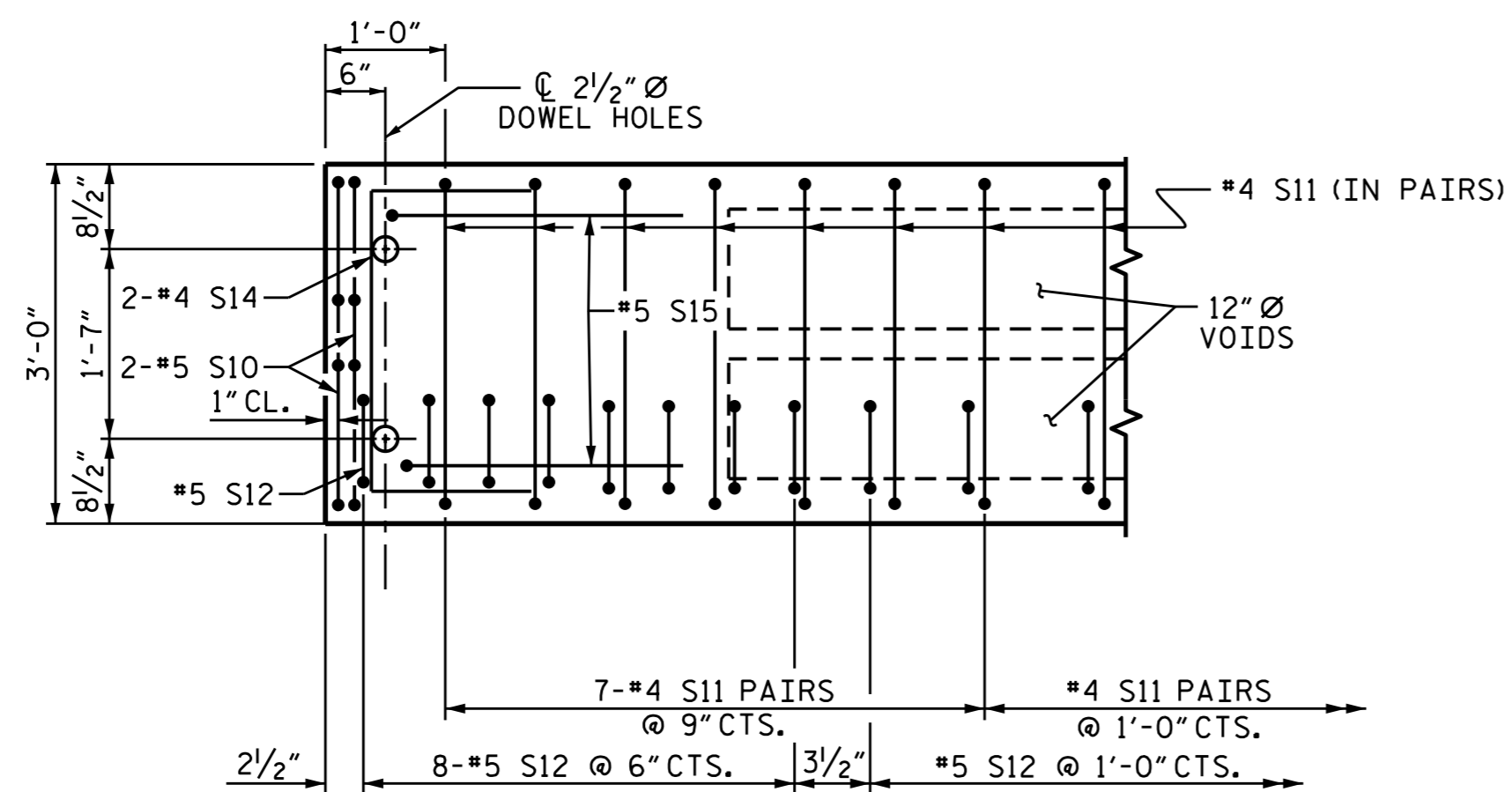
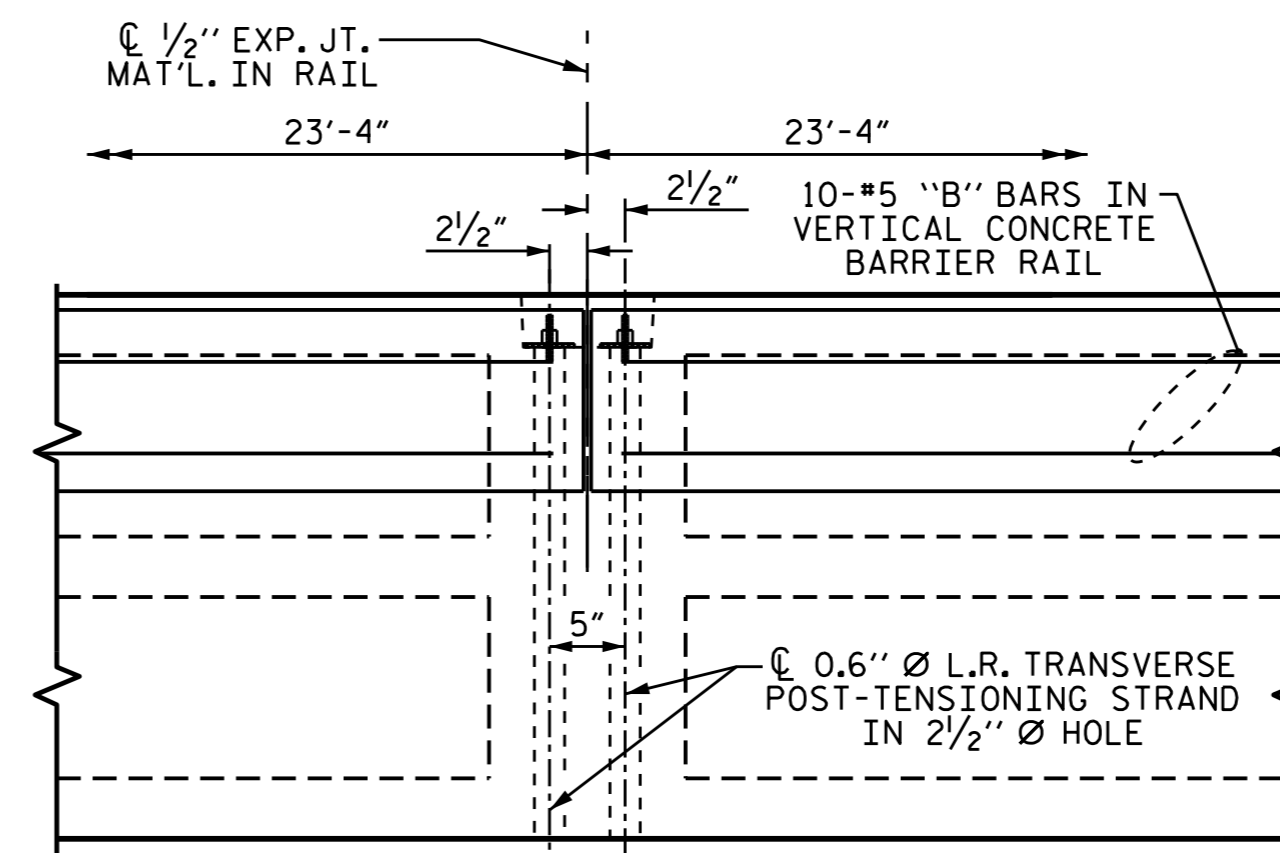


PLAN OF UNIT



DETAIL "A"

(TYPICAL EACH END OF UNIT)
NOTE: EXTERIOR UNIT SHOWN - INTERIOR UNIT SIMILAR EXCEPT OMIT #5 S12 BARS.



DETAIL "B"

PROJECT NO. B-5403
TRANSYLVANIA COUNTY
STATION: 14+56.00 -L-

SHEET 2 OF 3



STATE OF NORTH CAROLINA
DEPARTMENT OF TRANSPORTATION
RALEIGH
PLAN OF 70' UNIT
24'-10" CLEAR ROADWAY
90° SKEW

ASSEMBLED BY :	H. T. BARBOUR	DATE :	5-6-15
CHECKED BY :	V. X. NGUYEN	DATE :	5-15
DRAWN BY :	MAA	6/10	MAA/AAC
CHECKED BY :	MKT	7/10	MAA/TMG

REVISIONS						SHEET NO.
NO.	BY:	DATE:	NO.	BY:	DATE:	TOTAL SHEETS
1			3			14
2			4			