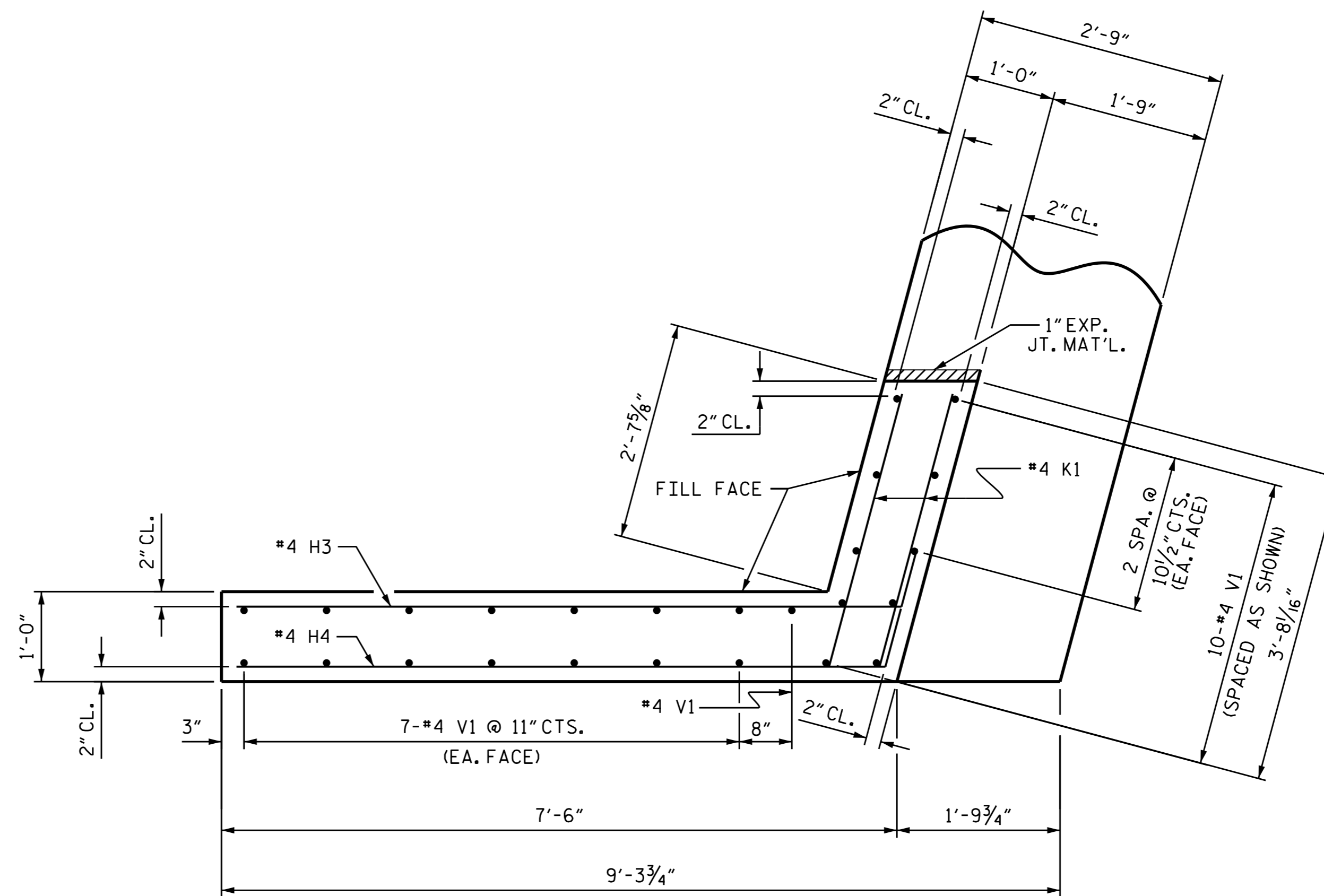
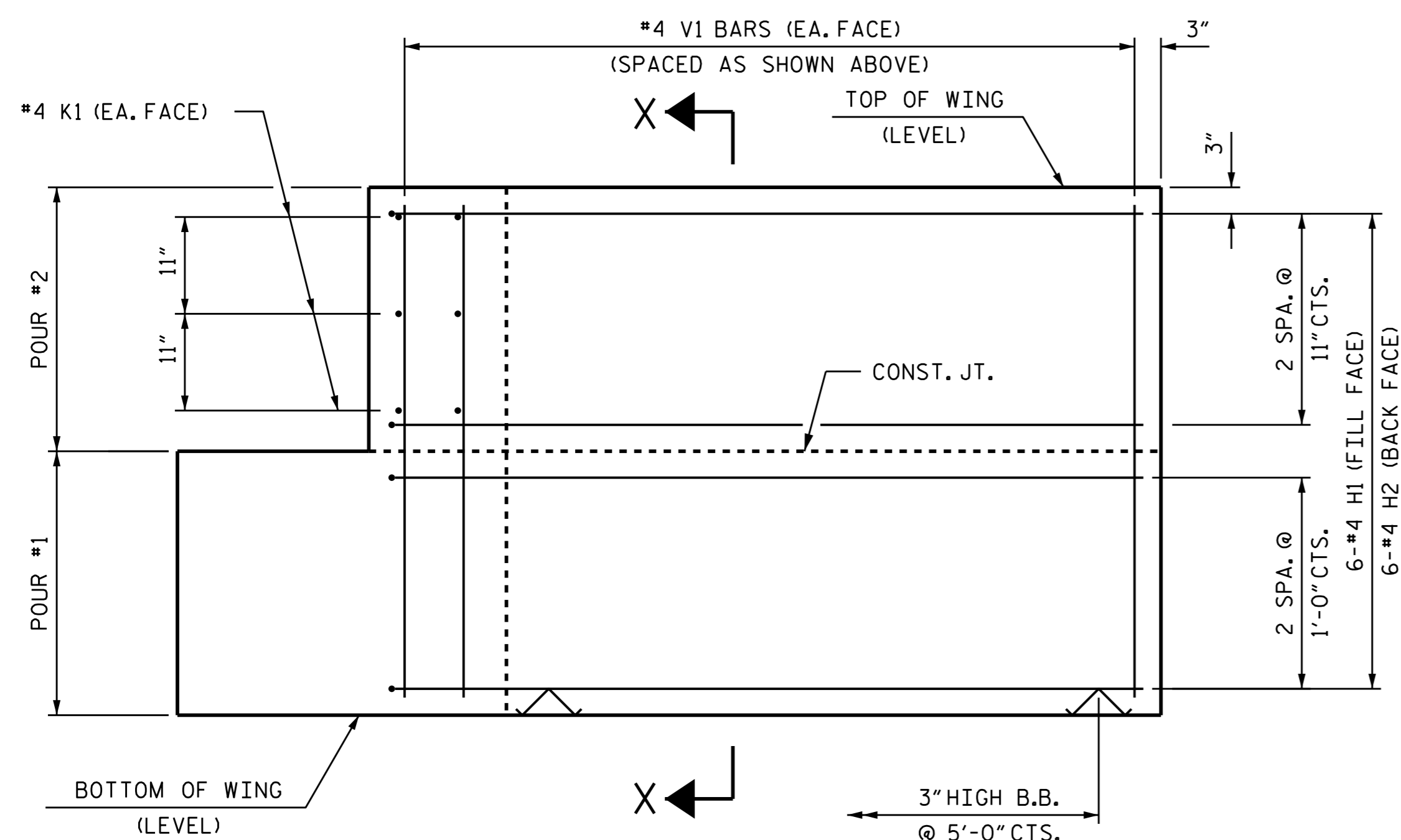


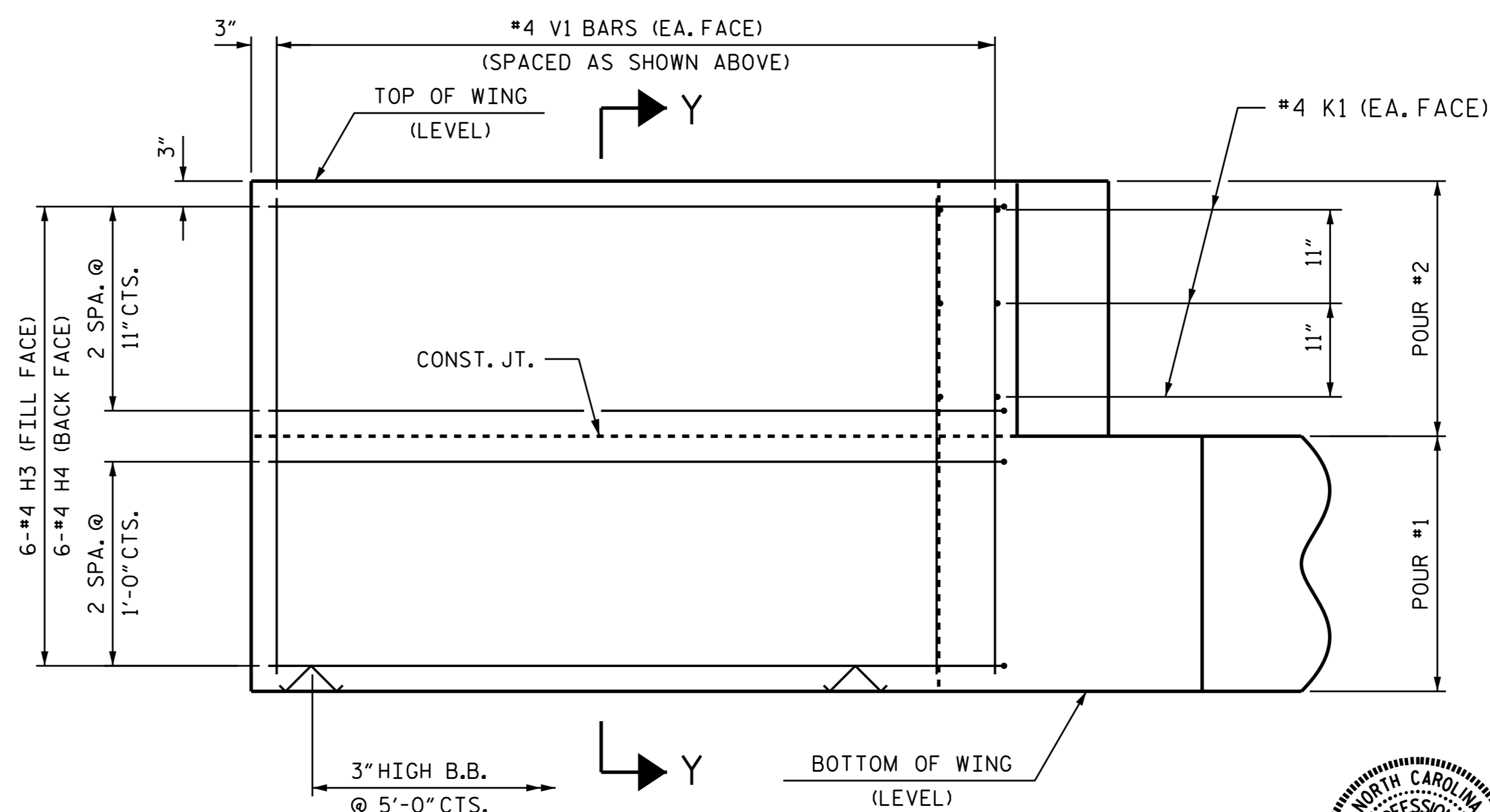
PLAN OF WING (W1)



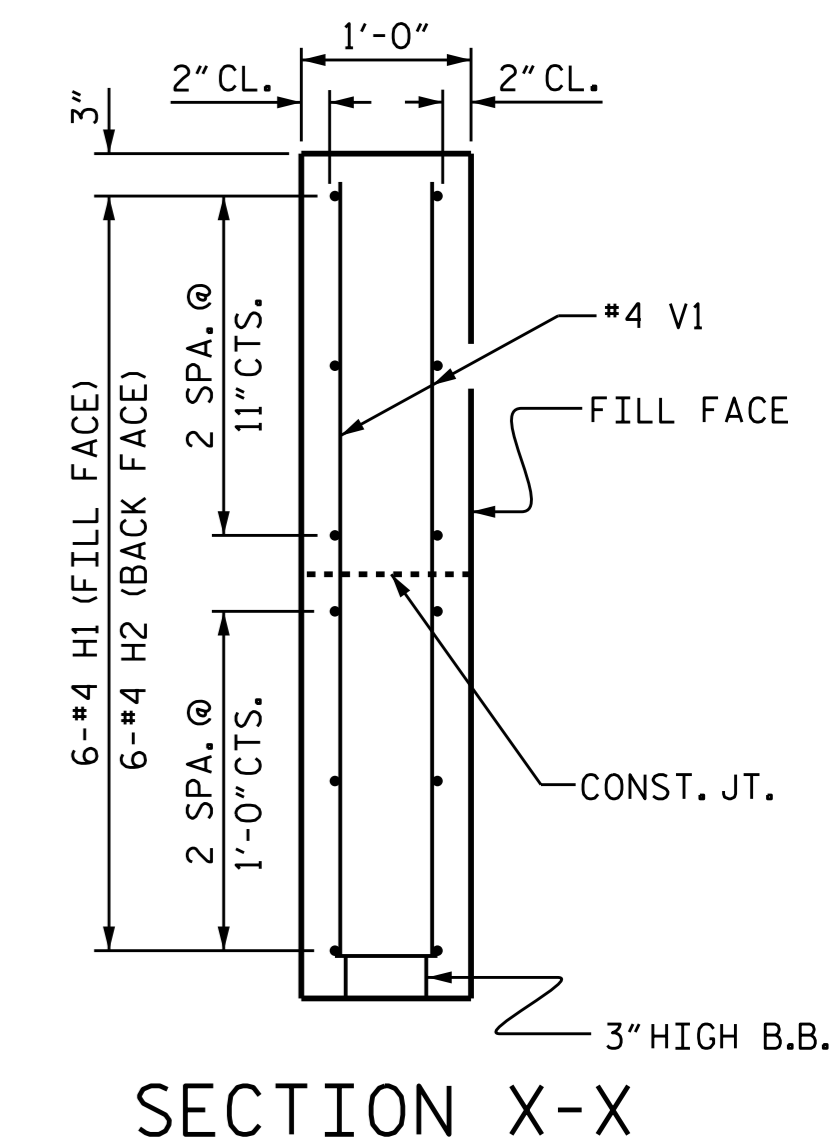
PLAN OF WING (W2)



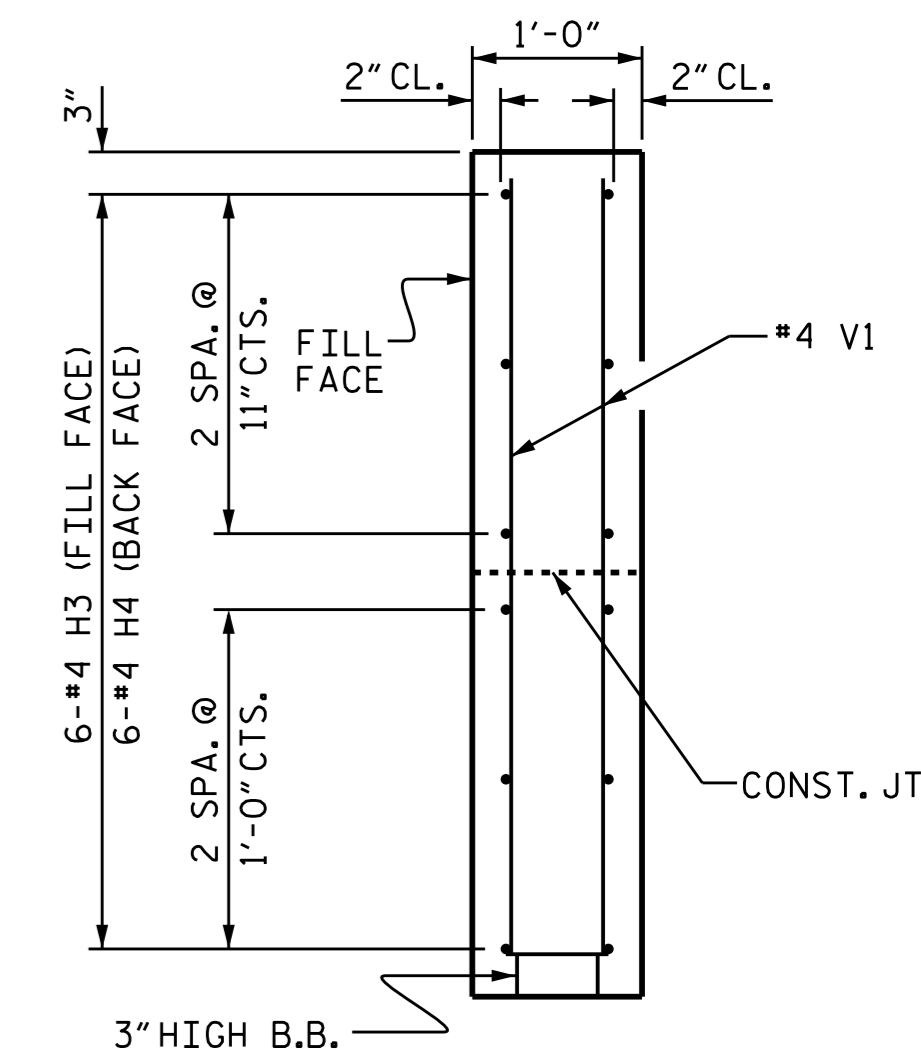
ELEVATION OF WING (W1)



ELEVATION OF WING (W2)



SECTION X-X

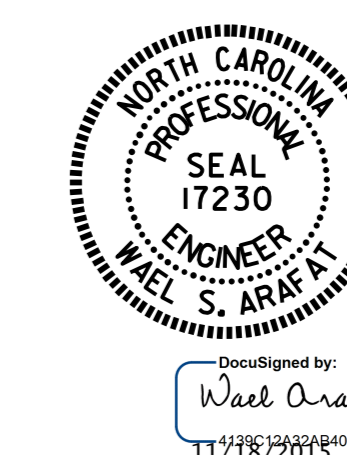


SECTION Y-Y

WING DETAILS

PROJECT NO. B-4822
 TRANSYLVANIA COUNTY
 STATION: 15+10.00 -L-

SHEET 3 OF 4



SUBSTRUCTURE
 END BENT
 WING DETAILS

| | | | |
|----------------|---------------|--------|-----------|
| ASSEMBLED BY : | H. T. BARBOUR | DATE : | 4-8-15 |
| CHECKED BY : | V. X. NGUYEN | DATE : | 4-15 |
| DRAWN BY : | DGE | 03/10 | REV. 4/15 |
| CHECKED BY : | MKT | 03/10 | MAA/TMG |

| REVISIONS | | | | | | SHEET NO. | |
|-----------|-----|-------|-----|-----|-------|--------------|----|
| NO. | BY: | DATE: | NO. | BY: | DATE: | S-15 | |
| 1 | | | 3 | | | TOTAL SHEETS | 18 |
| 2 | | | 4 | | | | |