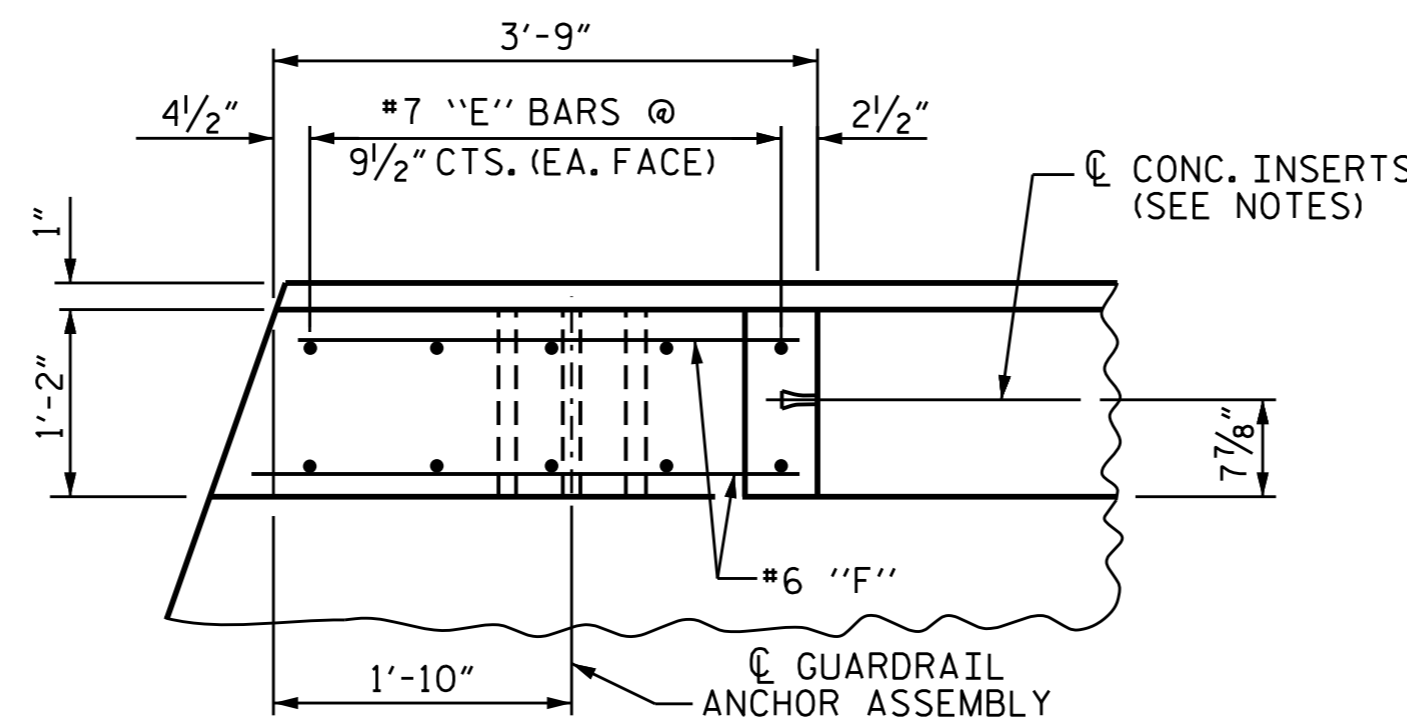


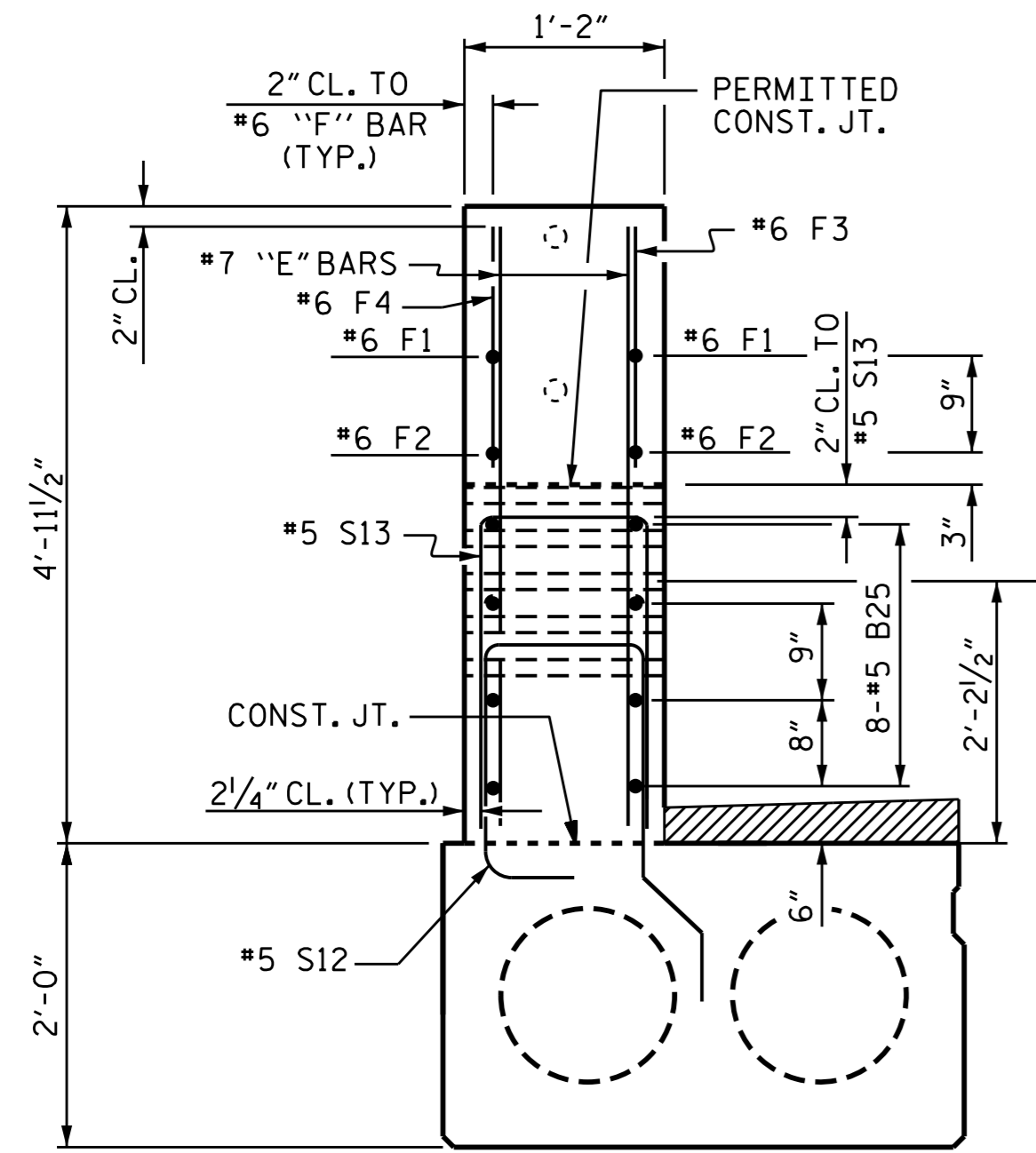
PLAN OF PARAPET



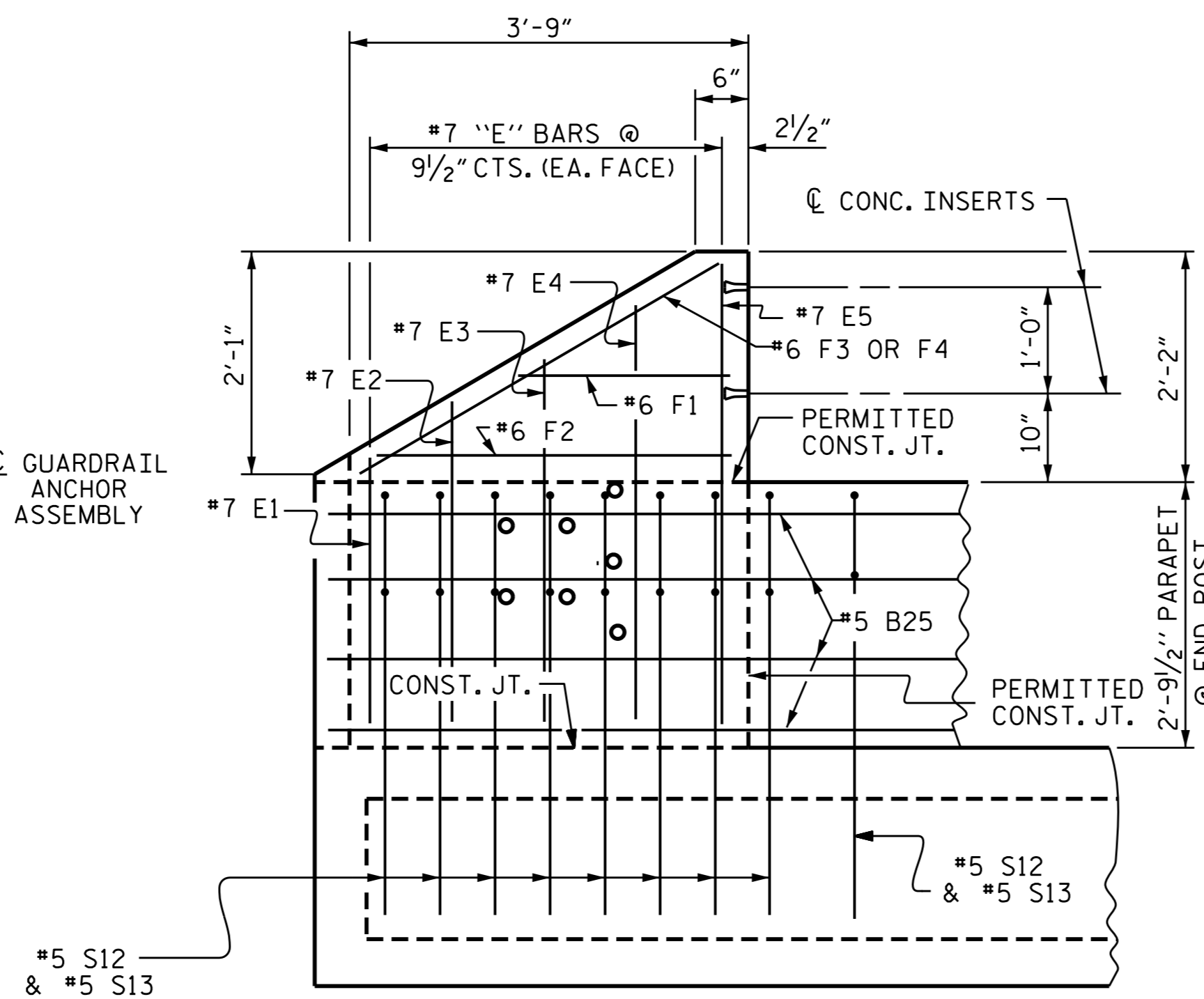
PLAN OF END POST

BAR TYPE	BILL OF MATERIAL FOR PARAPETS AND END POSTS					
	BAR	TOTAL NO.	SIZE	TYPE	LENGTH	WEIGHT
	*B25	96	#5	STR	13'-2"	1318
	*E1	8	#7	STR	2'-9"	45
	*E2	8	#7	STR	3'-3"	53
	*E3	8	#7	STR	3'-9"	61
	*E4	8	#7	STR	4'-3"	69
*E5	8	#7	STR	4'-7"	75	
*F1	8	#6	STR	1'-10"	22	
*F2	8	#6	STR	3'-0"	36	
*F3	4	#6	STR	3'-10"	23	
*F4	4	#6	STR	3'-8"	22	
*S13	158	#5	1	5'-8"	934	
* EPOXY COATED REINF. STEEL				LBS.	2658	
CLASS AA CONCRETE				CU. YDS.	17.6	
1'-2" X 2'-9 1/2" CONC. PARAPET				LIN. FT.	140.00	

ALL BAR DIMENSIONS ARE OUT TO OUT.



END VIEW



ELEVATION

NOTES

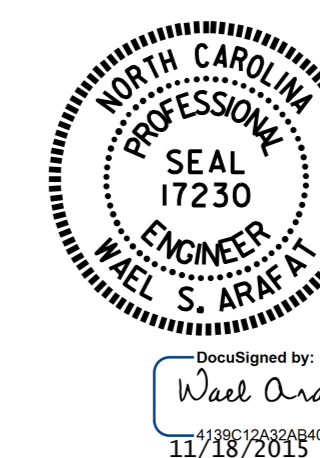
FOR DETAILS OF CONCRETE INSERT AND GUARDRAIL ANCHOR ASSEMBLY, SEE "RAIL POST SPACINGS AND END OF RAIL DETAILS" SHEETS.

ALL REINFORCING STEEL IN CONCRETE PARAPET SHALL BE EPOXY COATED.

THE REINFORCING STEEL & CONCRETE IN THE END POSTS ARE INCLUDED IN THE UNIT PRICE BID FOR THE CONCRETE PARAPET.

PARAPET AND END POST FOR TWO BAR RAIL

PROJECT NO. B-4822
TRANSYLVANIA COUNTY
 STATION: 15+10.00 -L-



STATE OF NORTH CAROLINA
 DEPARTMENT OF TRANSPORTATION
 RALEIGH
 SUPERSTRUCTURE
 CONCRETE PARAPET
 DETAILS

DRAWN BY : H. T. BARBOUR DATE : 4-1-15
 CHECKED BY : V. X. NGUYEN DATE : 4-15
 DESIGN ENGINEER OF RECORD : A.M. LEE DATE : 5-20-15

REVISIONS					SHEET NO.
NO.	BY:	DATE:	NO.	BY:	DATE:
1			3		
2			4		

TOTAL SHEETS: 18