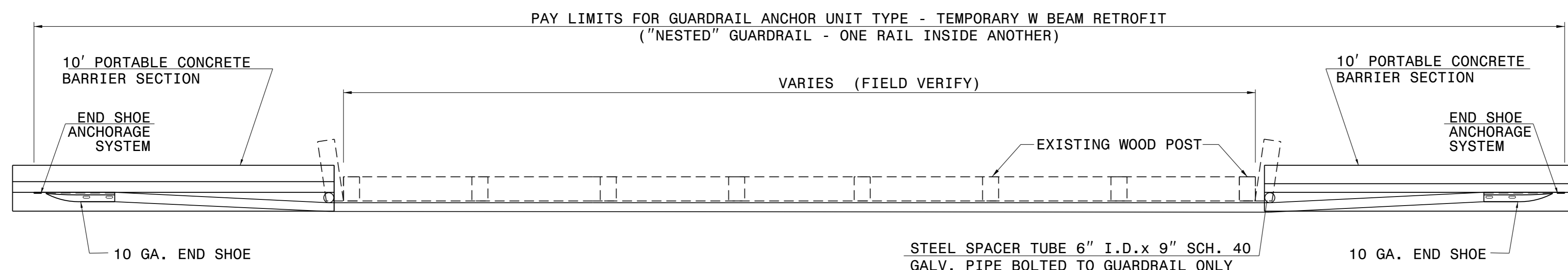
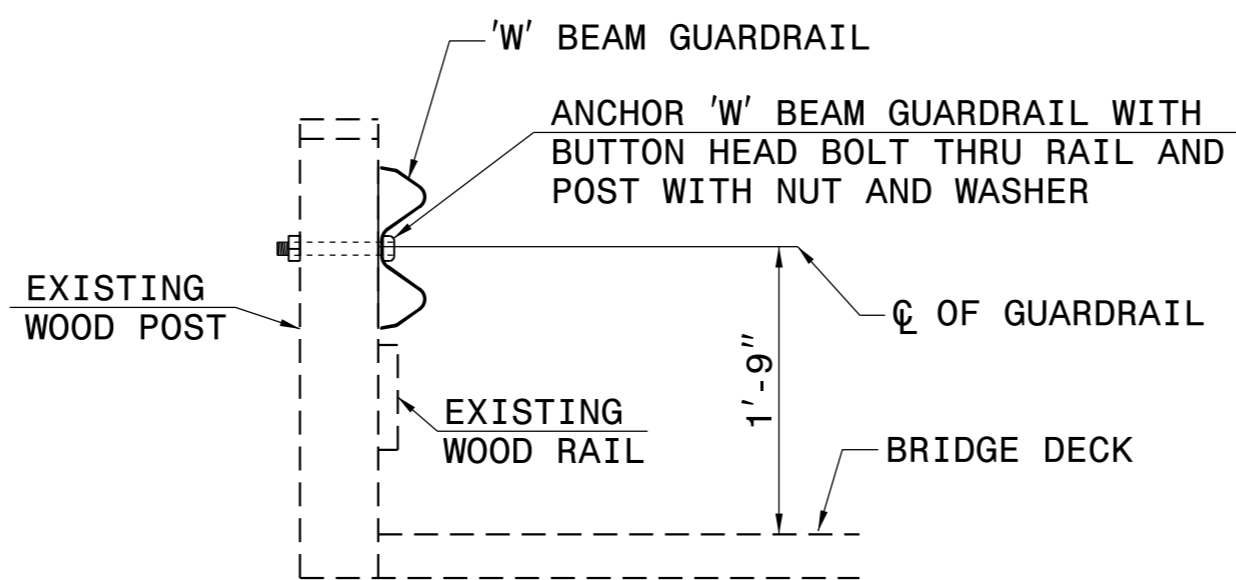


ELEVATION VIEW



PLAN VIEW



SECTION VIEW

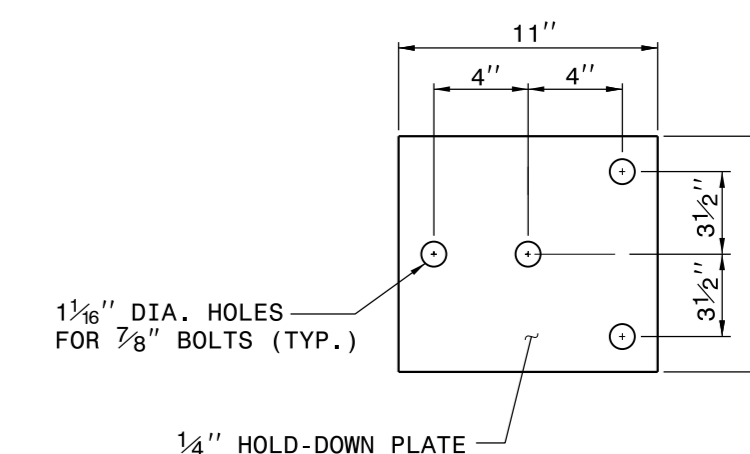
**GUARDRAIL ATTACHMENT
TO WOOD POST**

NOTES FOR 4 BOLT HOLD DOWN PLATE

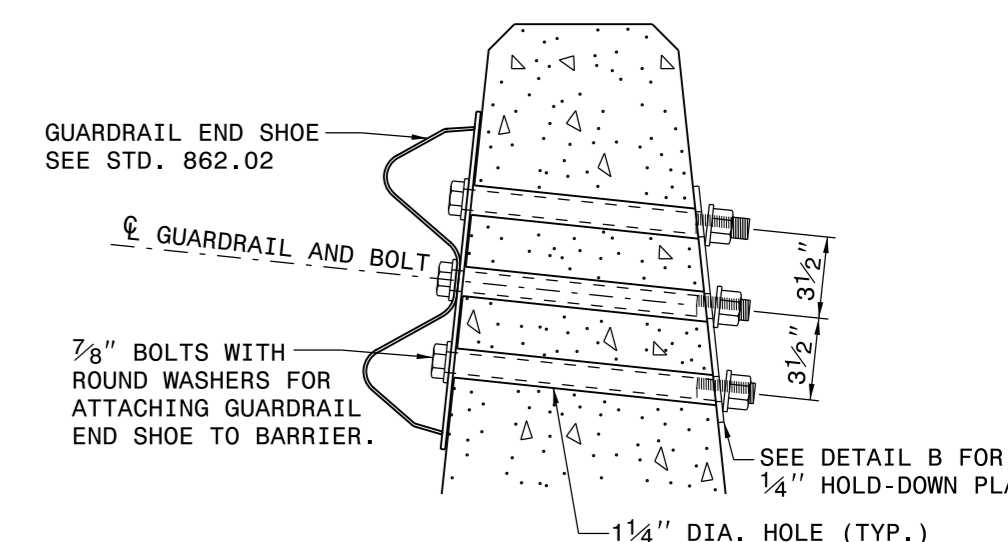
THE GUARDRAIL ANCHOR ASSEMBLY SHALL CONSIST OF A 1/4" HOLD DOWN PLATE AND 4 - 7/8" DIA. BOLTS WITH NUTS AND WASHERS.

THE HOLD-DOWN PLATE SHALL CONFORM TO AASHTO M270 GRADE 36. AFTER FABRICATION, THE HOLD-DOWN PLATE SHALL BE HOT-DIP GALVANIZED IN ACCORDANCE WITH AASHTO M111.

AFTER INSTALLATION, THE EXPOSED THREAD OF THE BOLT SHALL BE BURRED WITH A SHARP POINTED TOOL. THE 1/4" DIA. HOLES SHALL BE FORMED OR DRILLED WITH A CORE BIT. IMPACT TOOLS WILL NOT BE PERMITTED. ANY CONCRETE DAMAGED BY THIS WORK SHALL BE REPAIRED TO THE SATISFACTION OF THE ENGINEER.

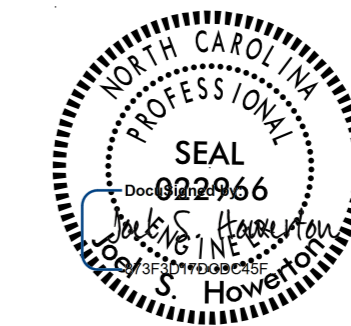


4 BOLT HOLD DOWN PLATE



**PART SECTION
OF BARRIER OR RAIL
THRU END SHOE SECTION AND
4 BOLT HOLD DOWN PLATE**

C:\P\dms\work\2015\10\14\2015\20151014\20151014.dgn
 USER: J...
 TIME: 10:14:30 AM
 DATE: 10/14/2015



10/14/2015

**CONTRACT STANDARDS
AND DEVELOPMENT UNIT**
Office 919-707-6950 FAX 919-250-4119

**DETAIL OF GUARDRAIL
ANCHOR UNIT TYPE TEMPORARY
W BEAM RETROFIT**

ORIGINAL BY: E.E. WARD	DATE: 04-05
MODIFIED BY: _____	DATE: _____
CHECKED BY: _____	DATE: _____
FILE SPEC.: usr/details/stand/862stds/anc.dgn	