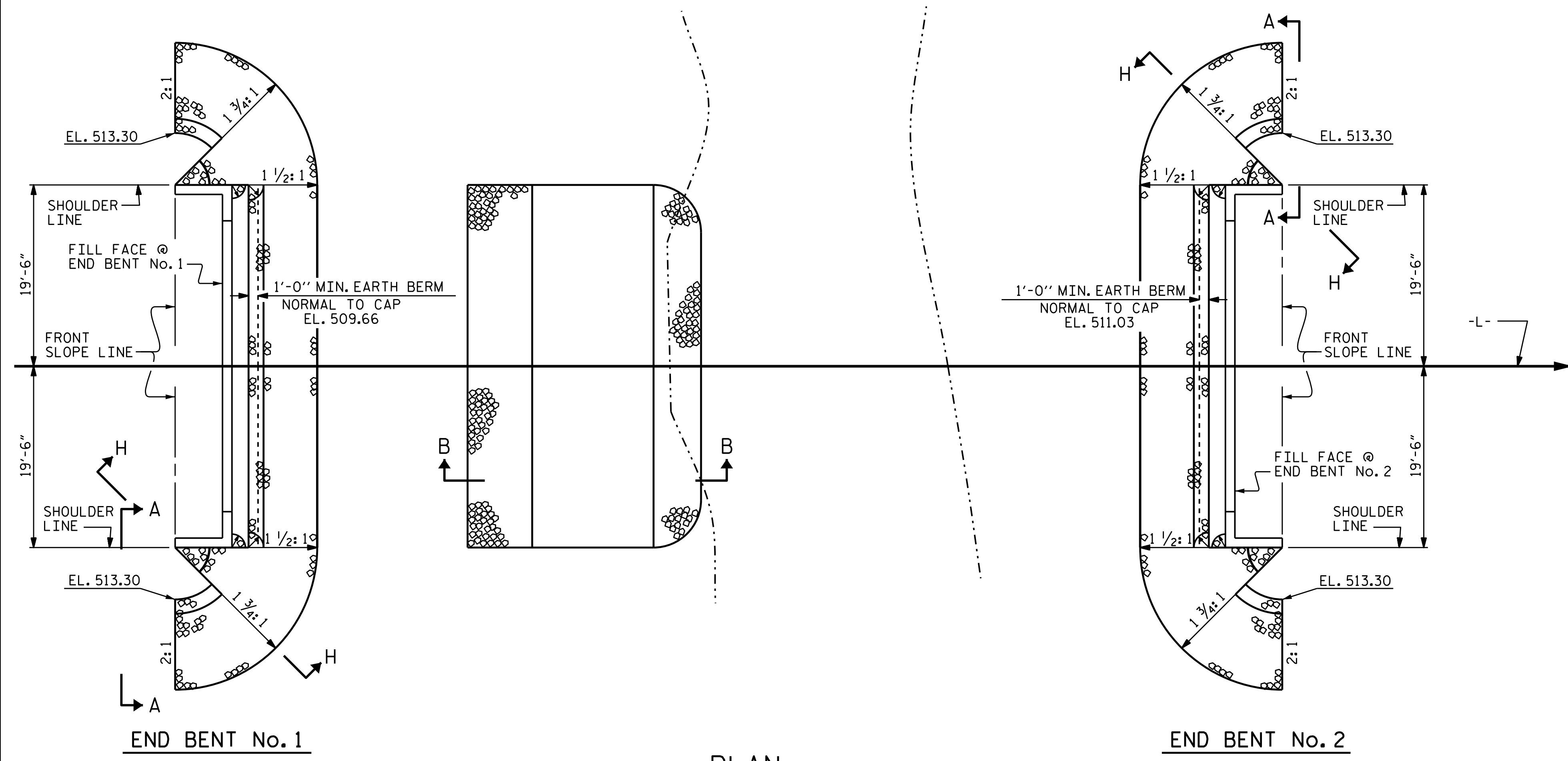
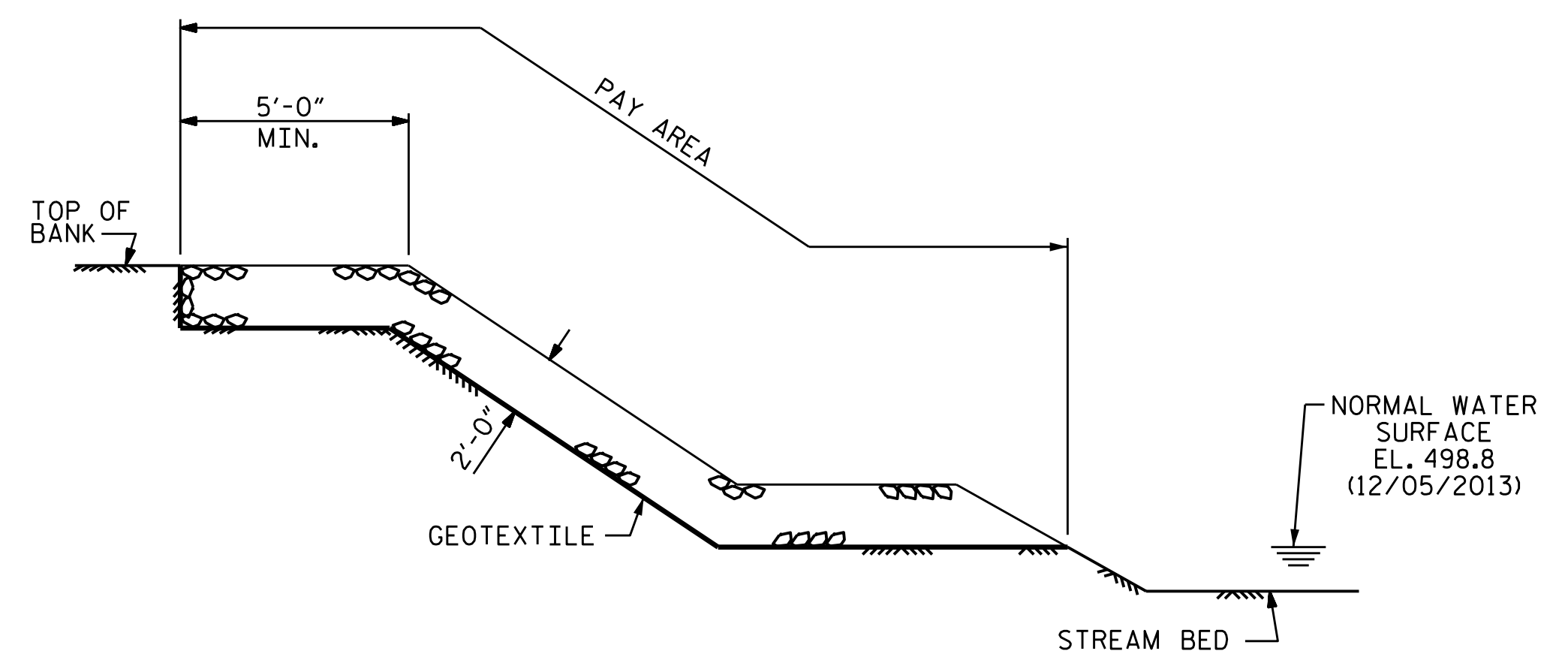


ESTIMATED QUANTITIES		
BRIDGE @ STA. 16+43.00 -L-	RIP RAP CLASS II (2'-0" THICK)	GEOTEXTILE FOR DRAINAGE
	TONS	SQUARE YARDS
END BENT No. 1	85	95
END BENT No. 2	75	85
* CREEK BANK	154	171
TOTAL	314	351

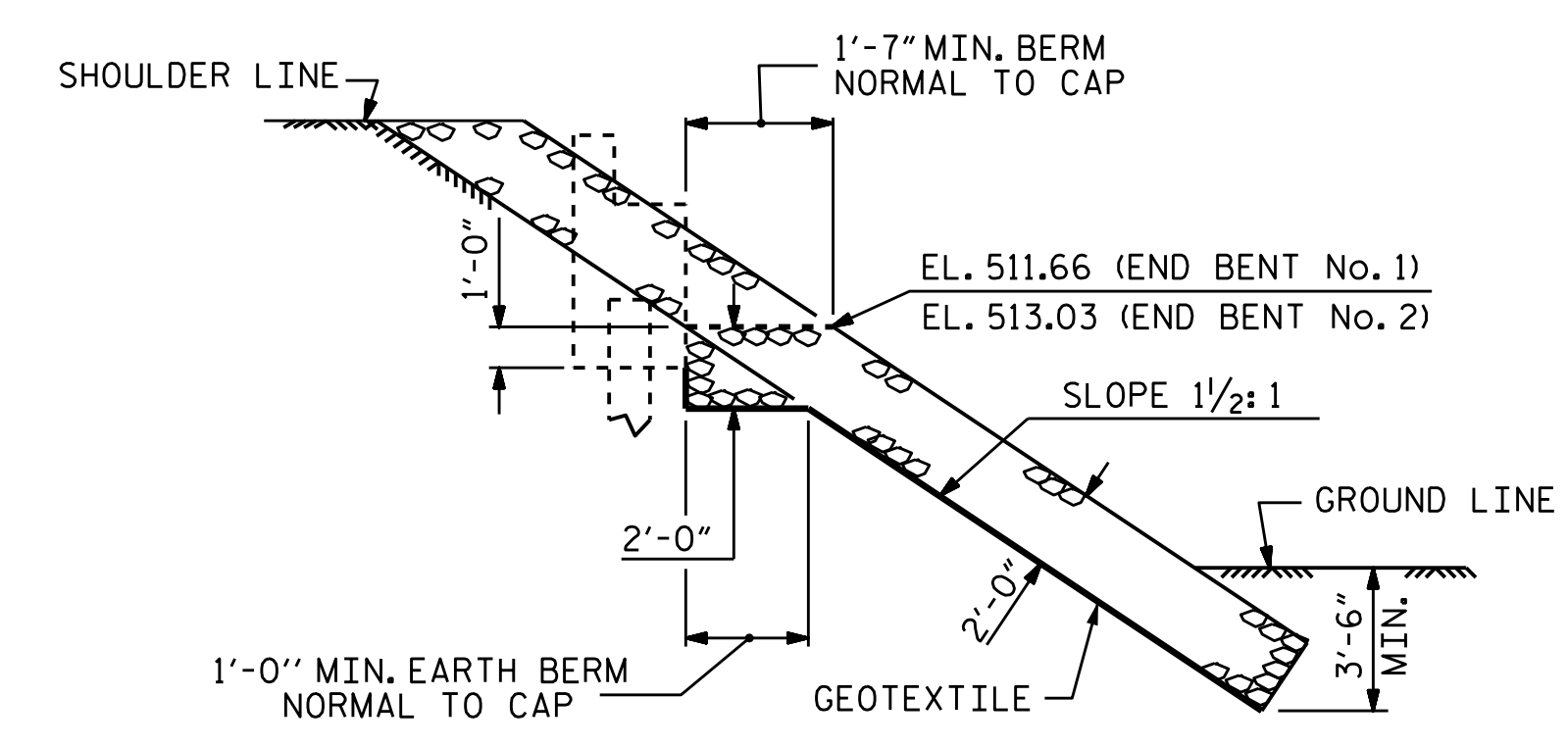
* CREEK BANK QUANTITY IS INCLUDED WITH END BENT No. 1 QUANTITIES IN TOTAL BILL OF MATERIAL.



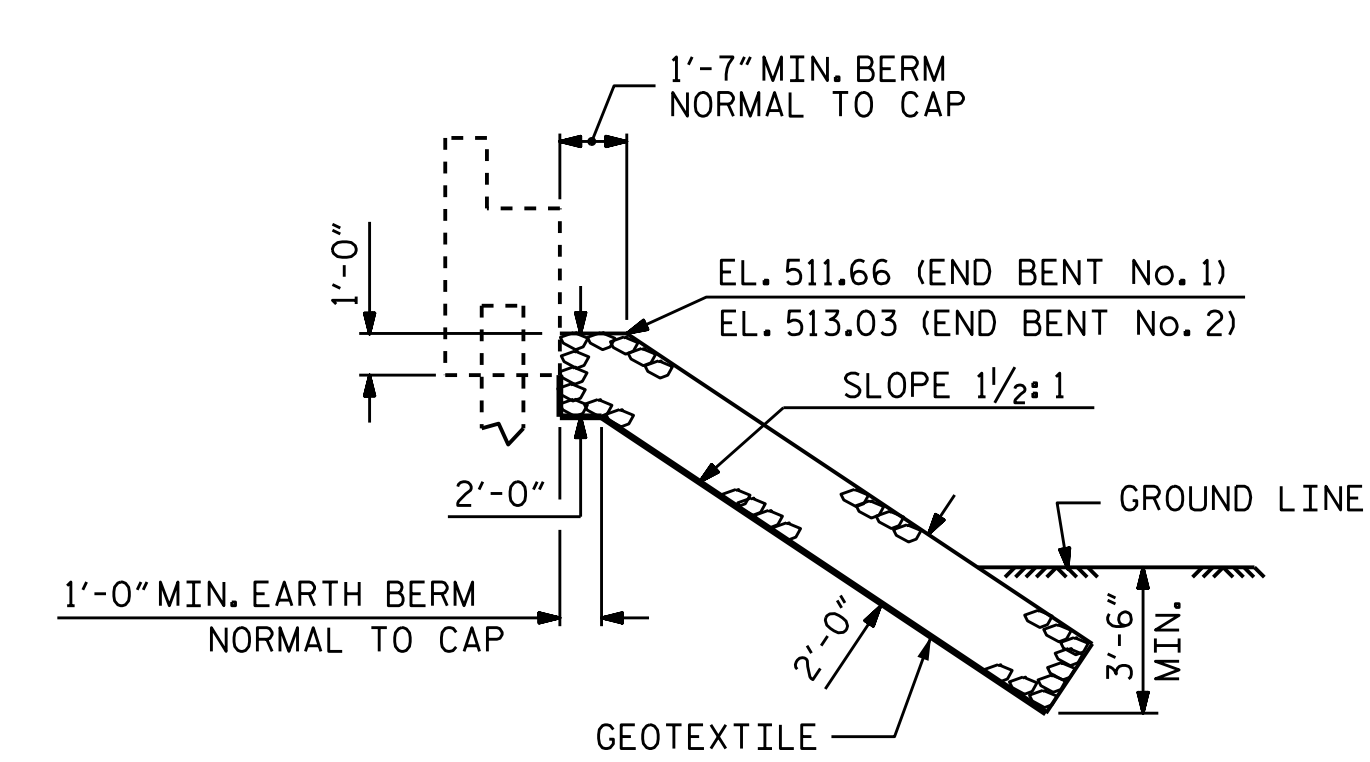
PLAN



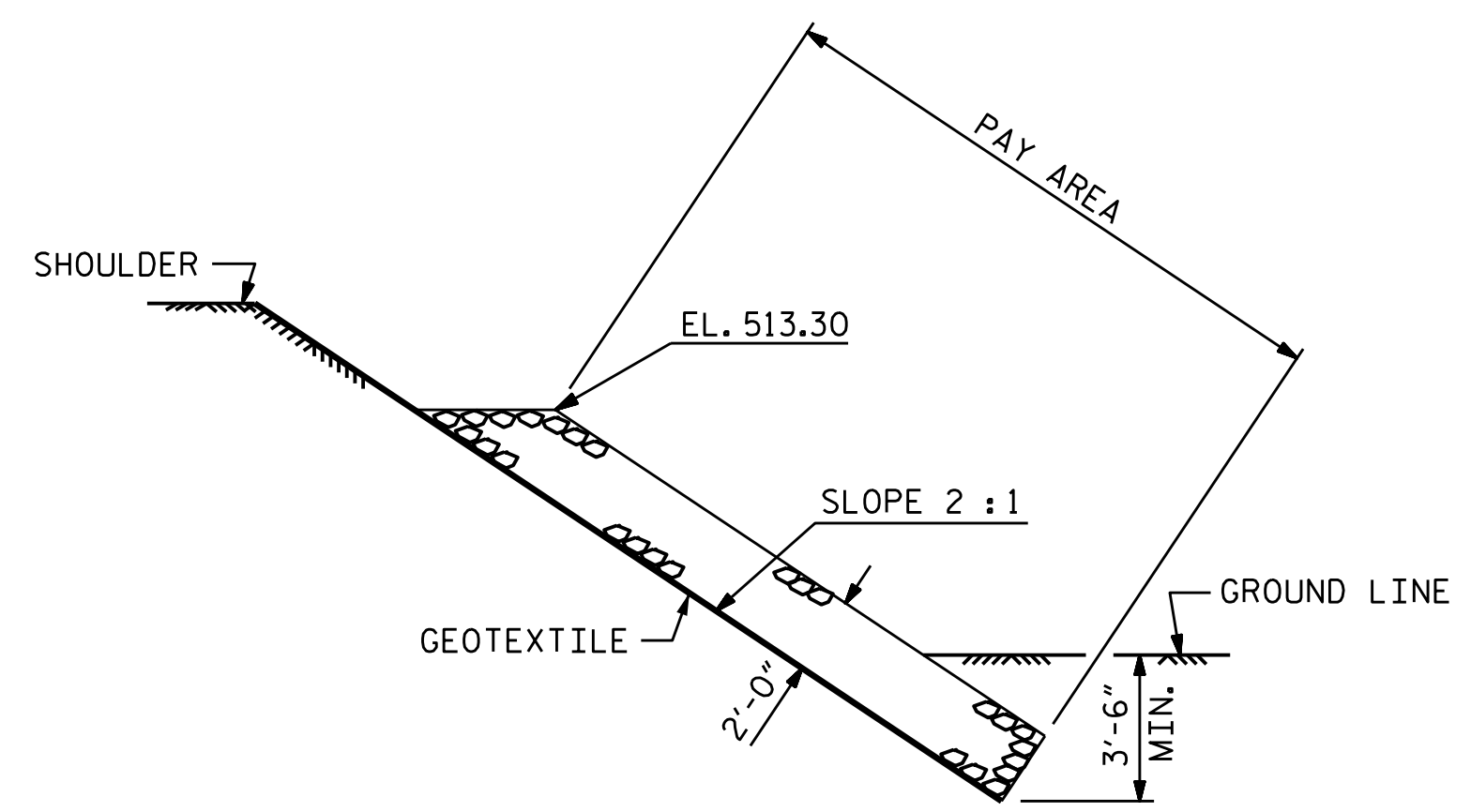
SECTION B-B



SECTION H-H



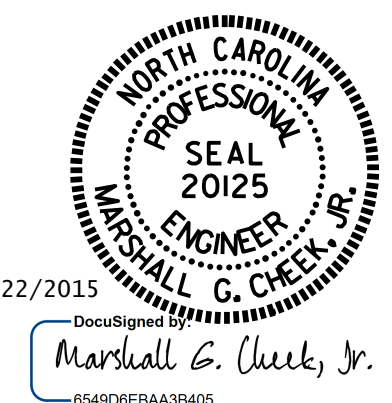
SECTION
BERM RIP RAPPED



VIEW A-A

PROJECT NO. B-5341
ROCKINGHAM COUNTY
 STATION: 16+43.00 -L-

STATE OF NORTH CAROLINA DEPARTMENT OF TRANSPORTATION RALEIGH					
= RIP RAP DETAILS =					
REVISIONS					
NO.	BY:	DATE:	NO.	BY:	DATE:
1			3		
2			4		
SHEET NO. S-22					TOTAL SHEETS 23



ASSEMBLED BY : D. HODGE	DATE : 6/15
CHECKED BY : H.T. BARBOUR	DATE : 7/15
DRAWN BY : REK 1/84	REV. 5/1/06R TLA/GM
CHECKED BY : ROU 1/84	REV. 10/1/11 MAA/GM
	REV. 12/21/11 MAA/GM