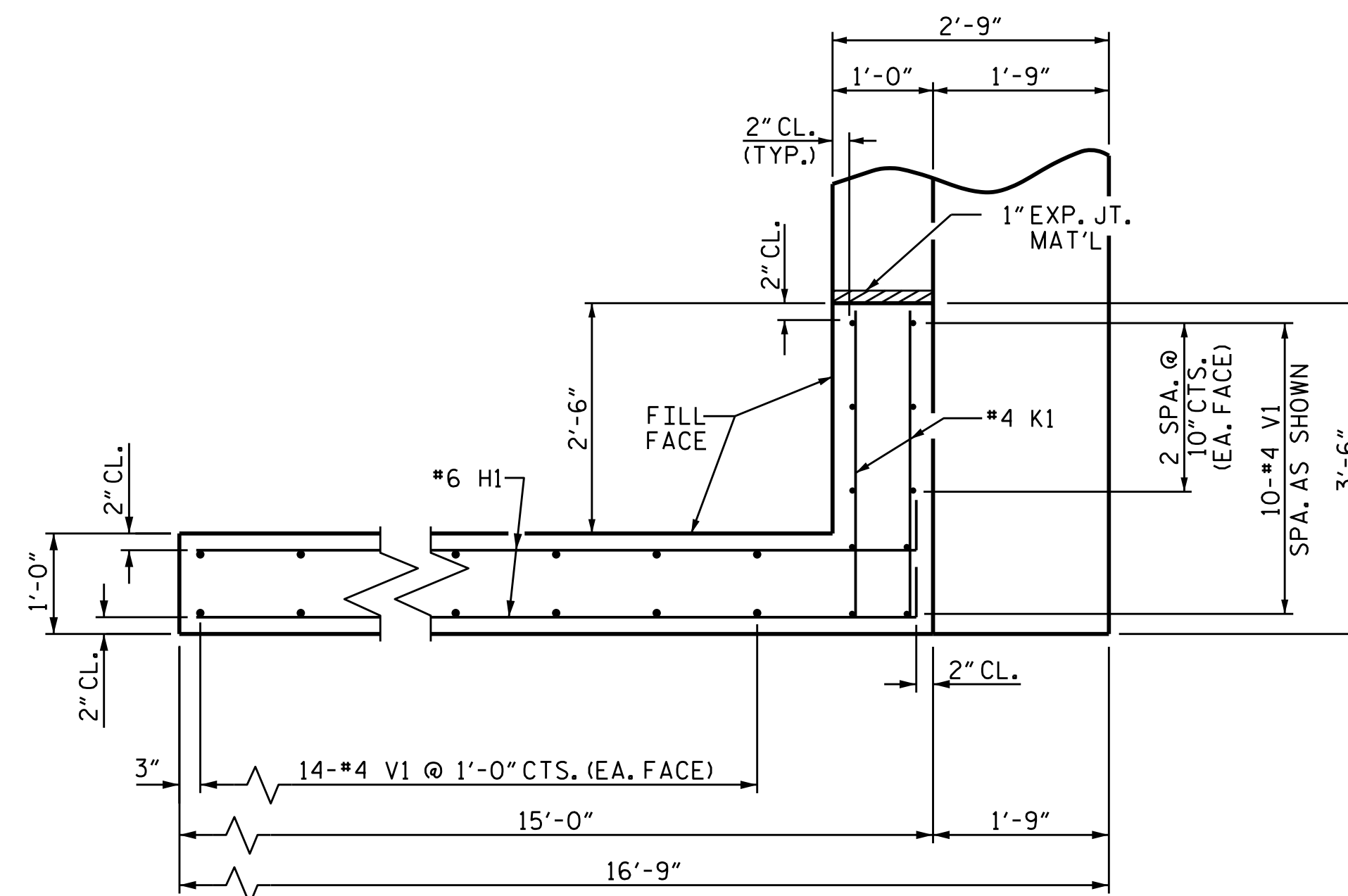
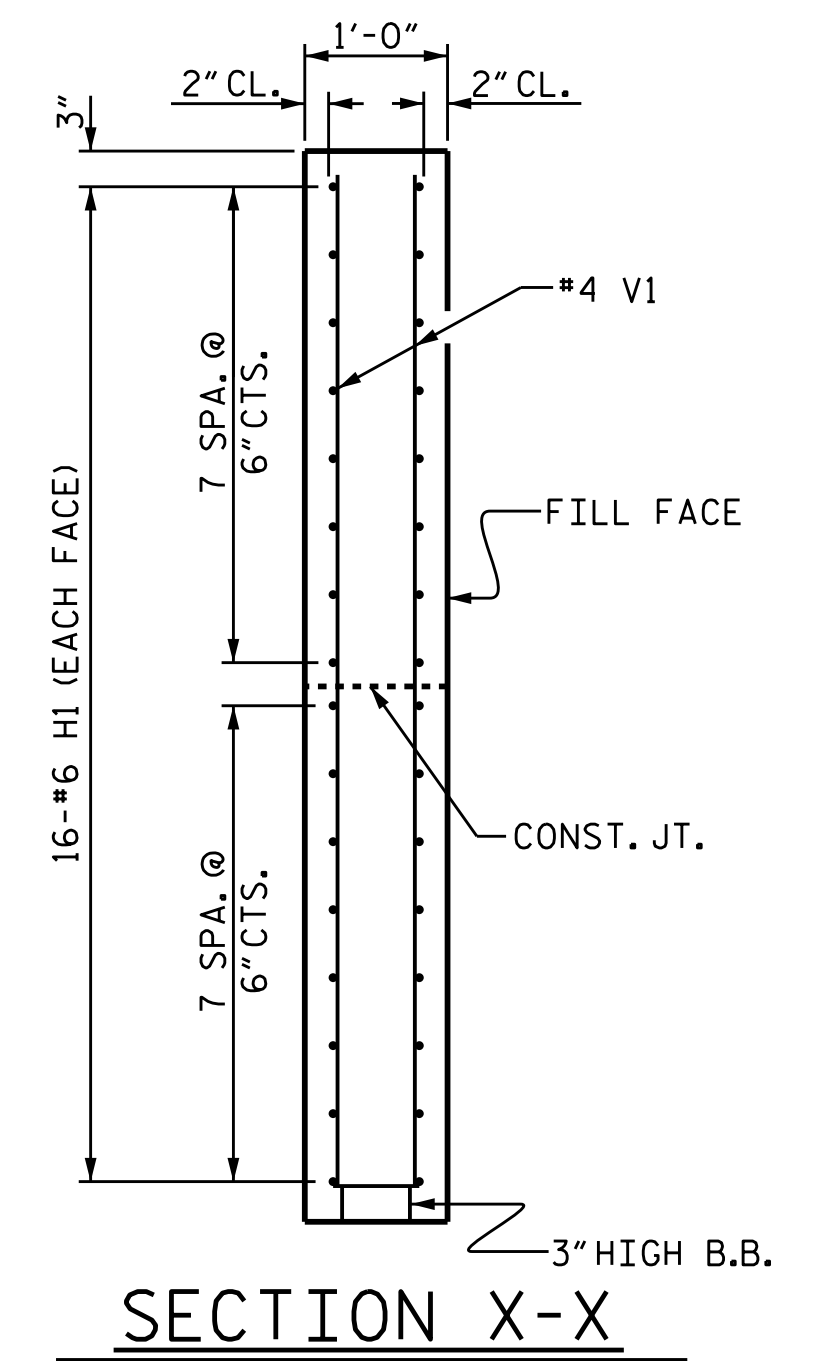


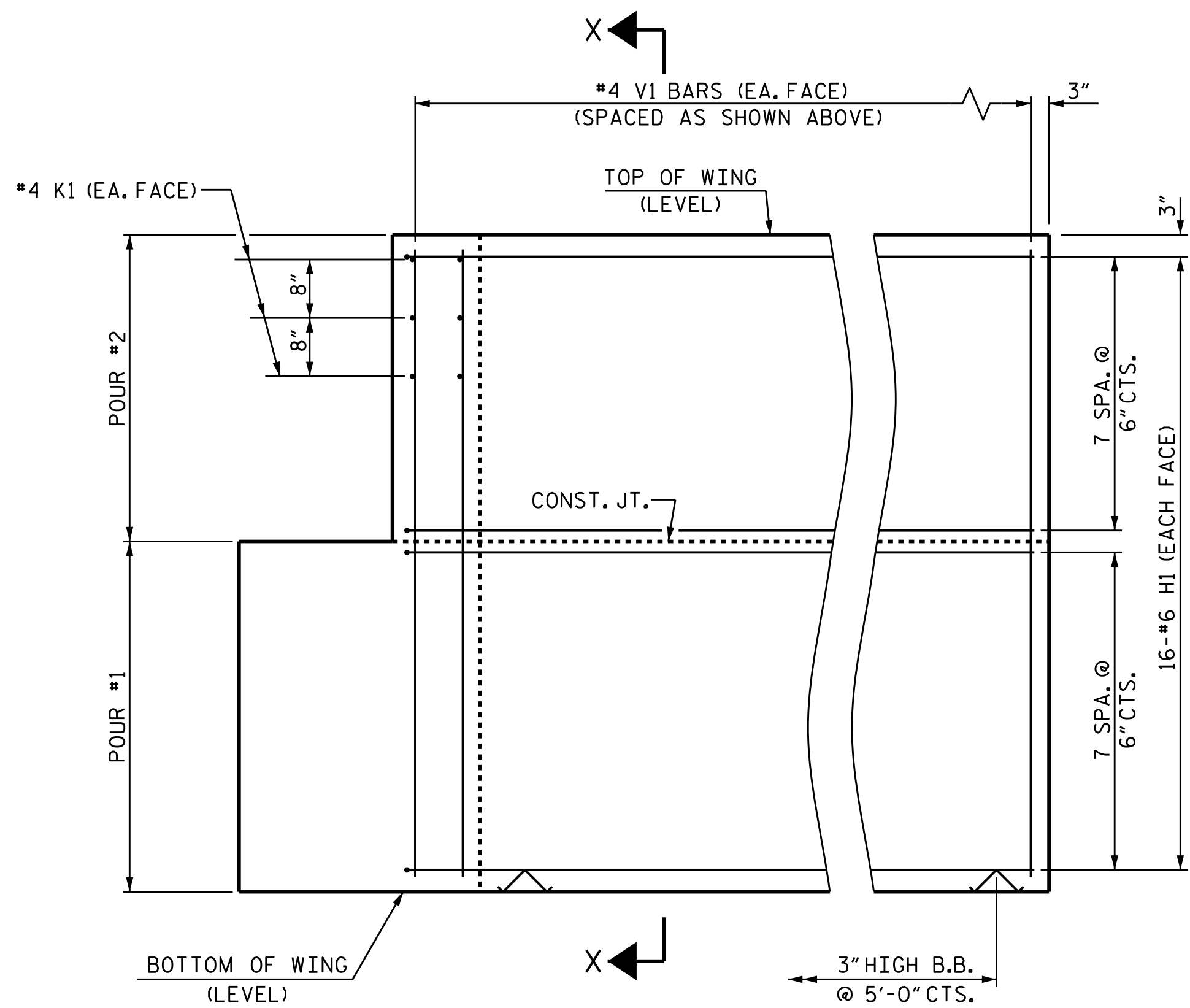
PLAN OF WING (W1)



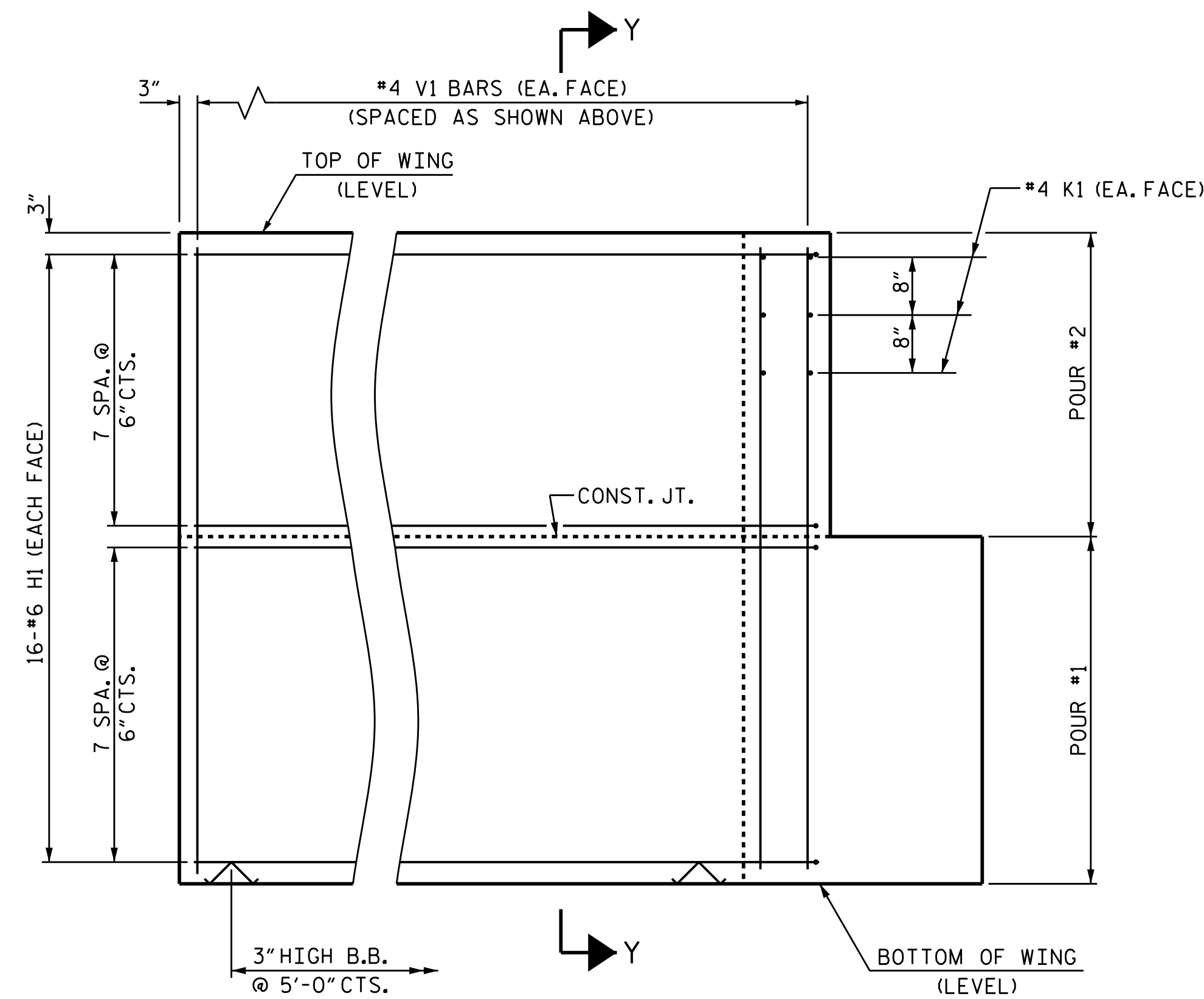
PLAN OF WING (W2)



SECTION X-X

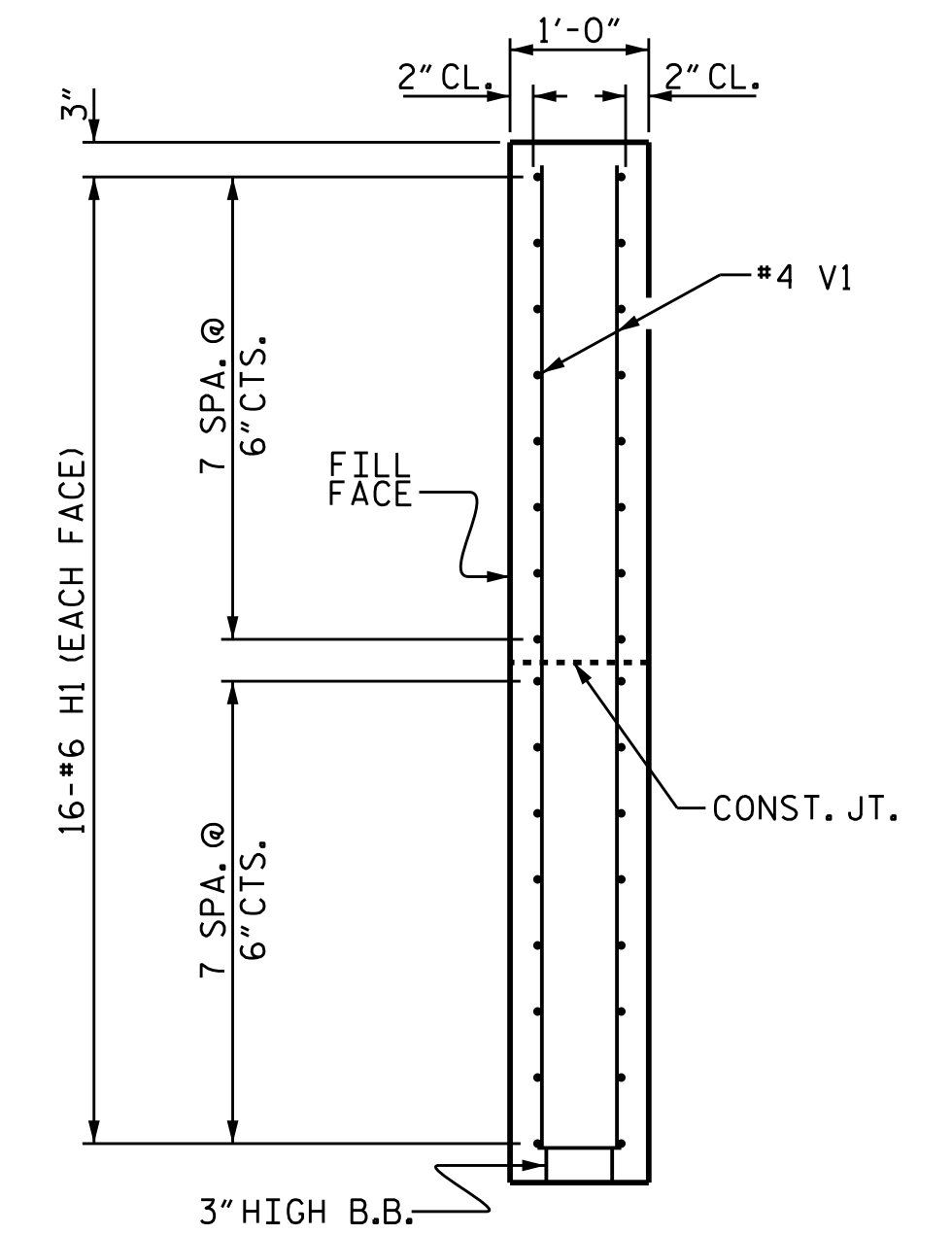


ELEVATION OF WING (W1)



ELEVATION OF WING (W2)

WING DETAILS



SECTION Y-Y

PROJECT NO. B-5341
 ROCKINGHAM COUNTY
 STATION: 16+43.00 -L-

SHEET 3 OF 4

STATE OF NORTH CAROLINA
 DEPARTMENT OF TRANSPORTATION
 RALEIGH

SUBSTRUCTURE
 END BENT
 WING DETAILS



10/22/2015

Marshall G. Cheek, Jr.
 654808EBA38405

ASSEMBLED BY : B.N. GRADY	DATE : 7/15
CHECKED BY : M.G. CHEEK	DATE : 7/15
DRAWN BY : WJH 12/11	REV. 4/15
CHECKED BY : AAC 12/11	MAA/TMG

22-OCT-2015 07:15
 H:\Structures\Final Plans\B5341_SD.E*.01.dgn
 bngrady

REVISIONS						SHEET NO.	
NO.	BY:	DATE:	NO.	BY:	DATE:	S-18	
1			3			TOTAL SHEETS	
2			4			23	

STD. NO. EB_33_90S4_39BB