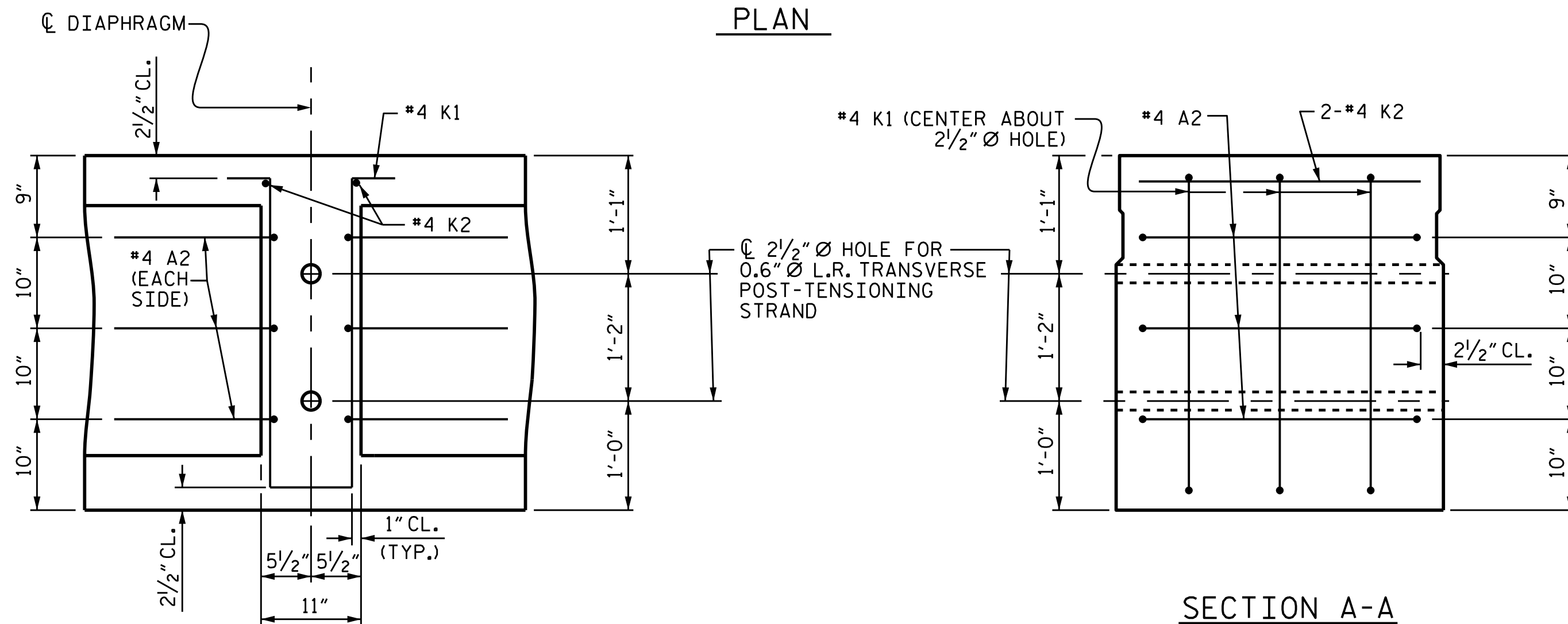
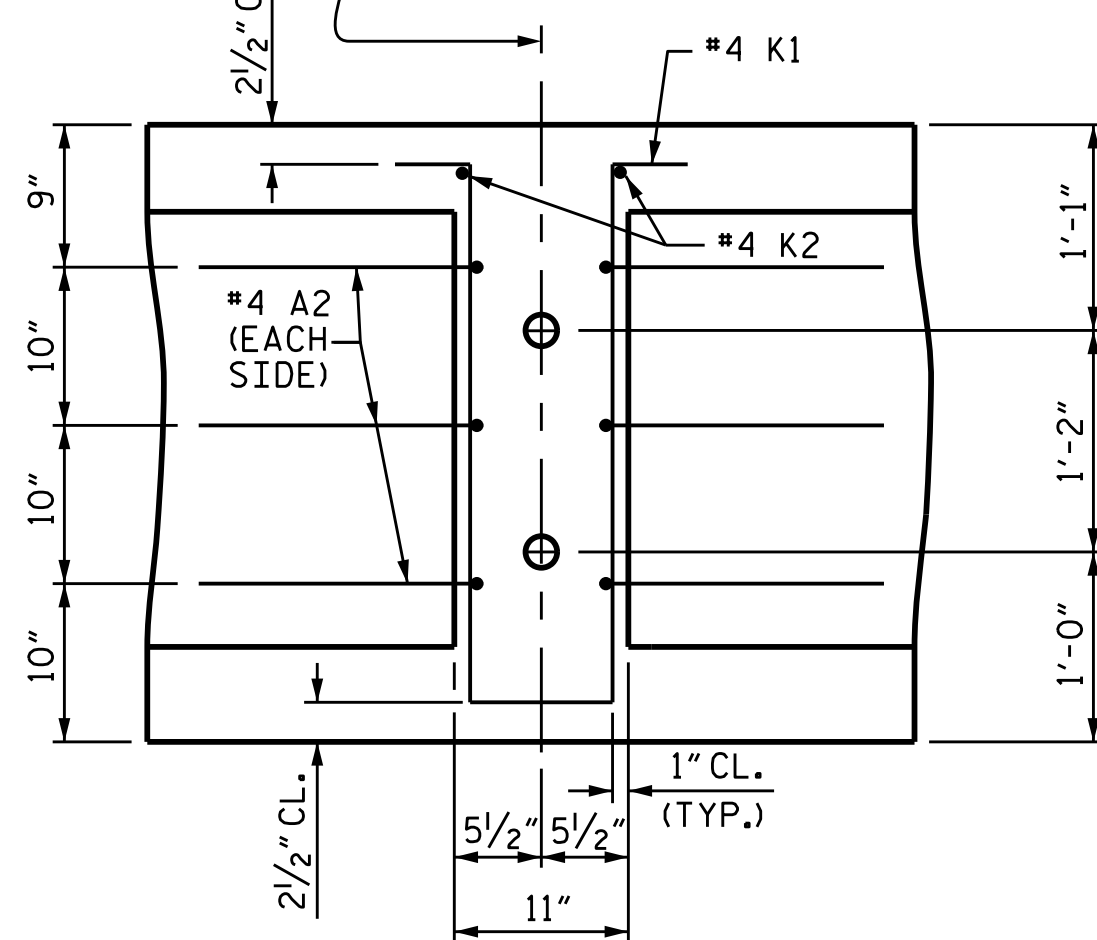


PLAN



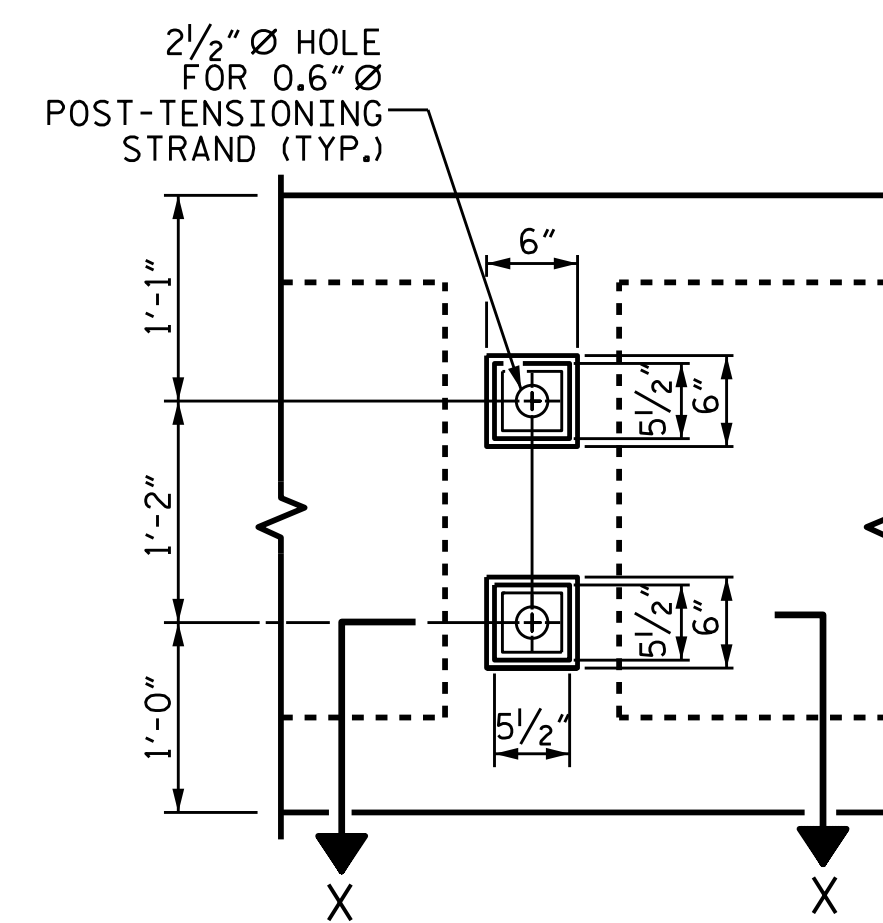
SECTION A-A
VOIDS NOT SHOWN



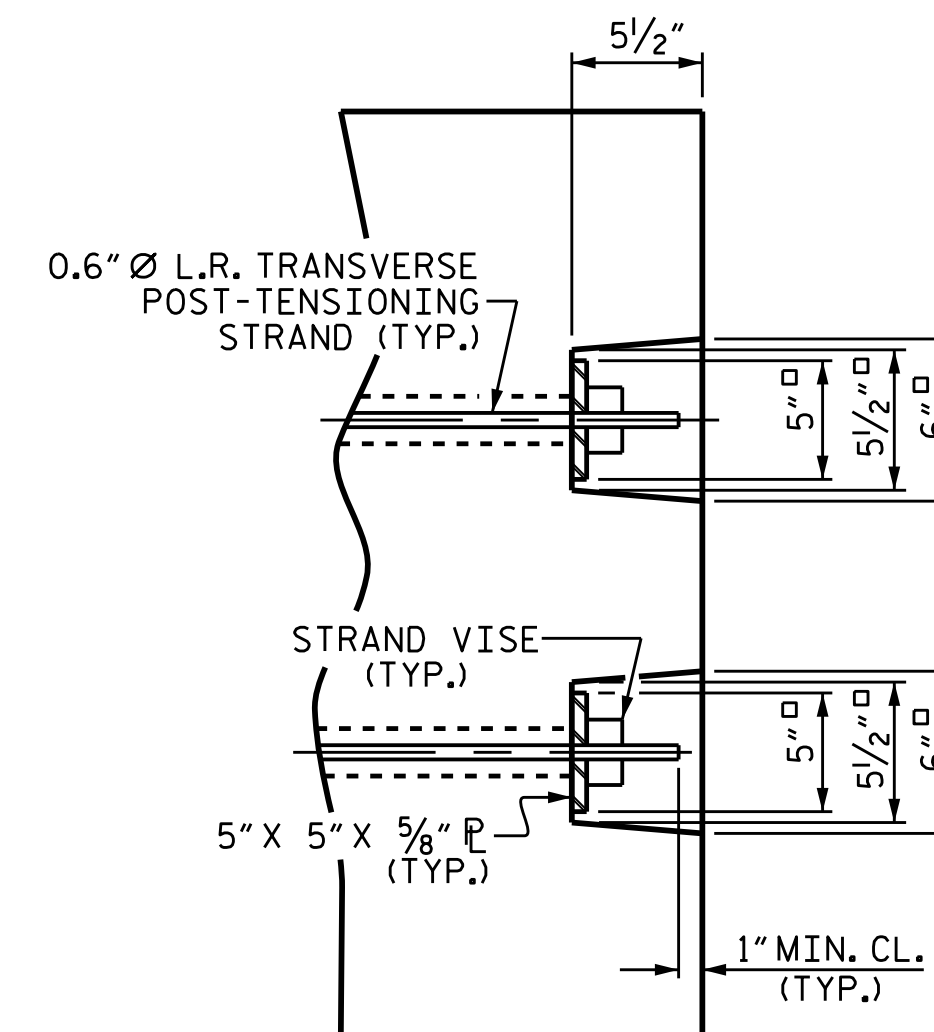
SECTION D-D

DOUBLE DIAPHRAGM DETAILS

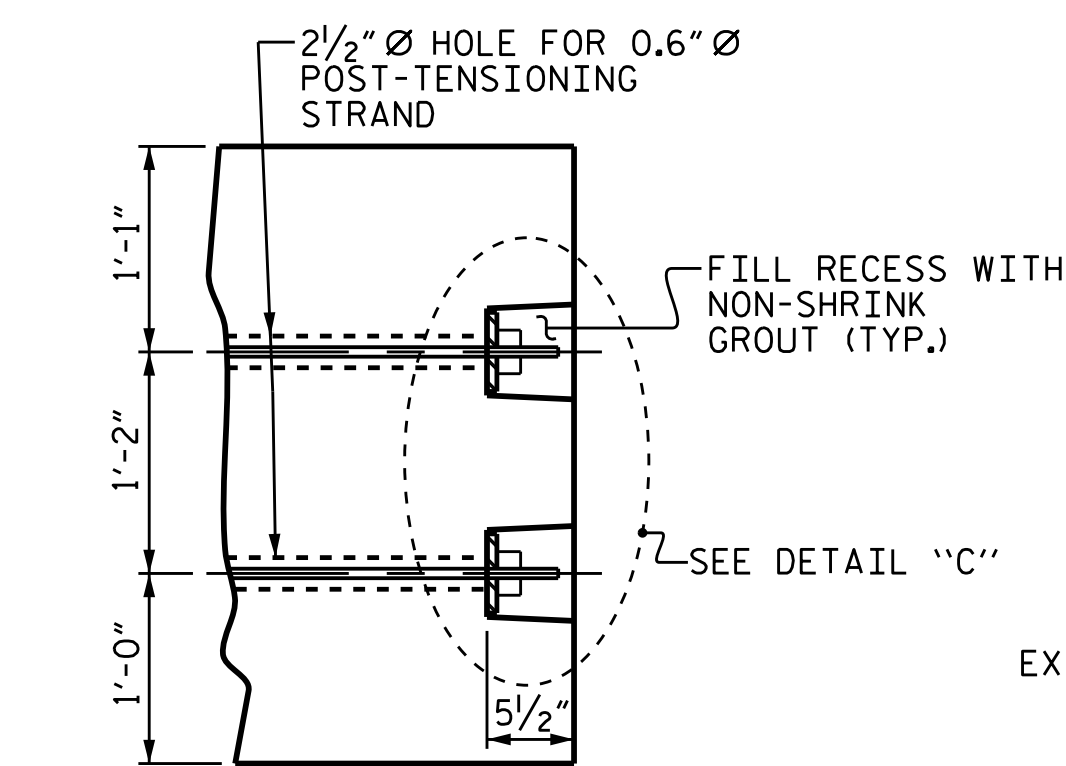
*4 "S" BARS NOT SHOWN. *4 "S" BARS MAY BE SHIFTED SLIGHTLY TO CLEAR 2 1/2" Ø HOLE.



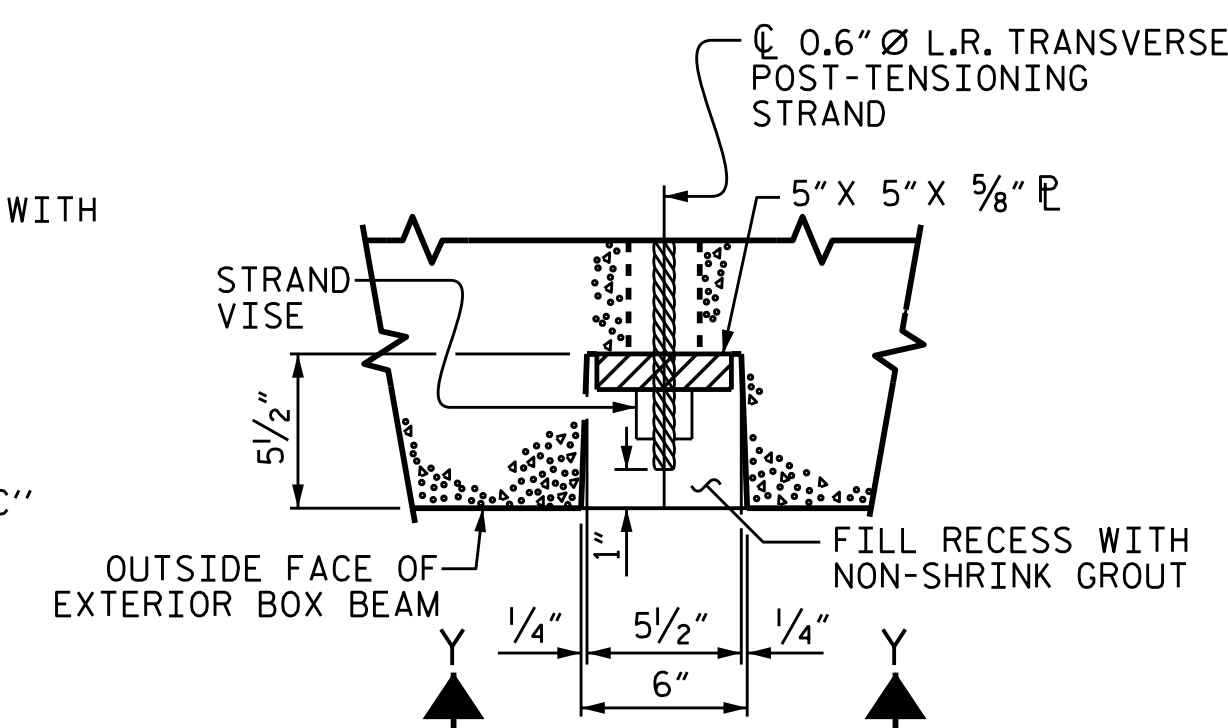
VIEW Y-Y
SHOWING ELEVATION VIEW OF GROUDED RECESS



DETAIL "C"

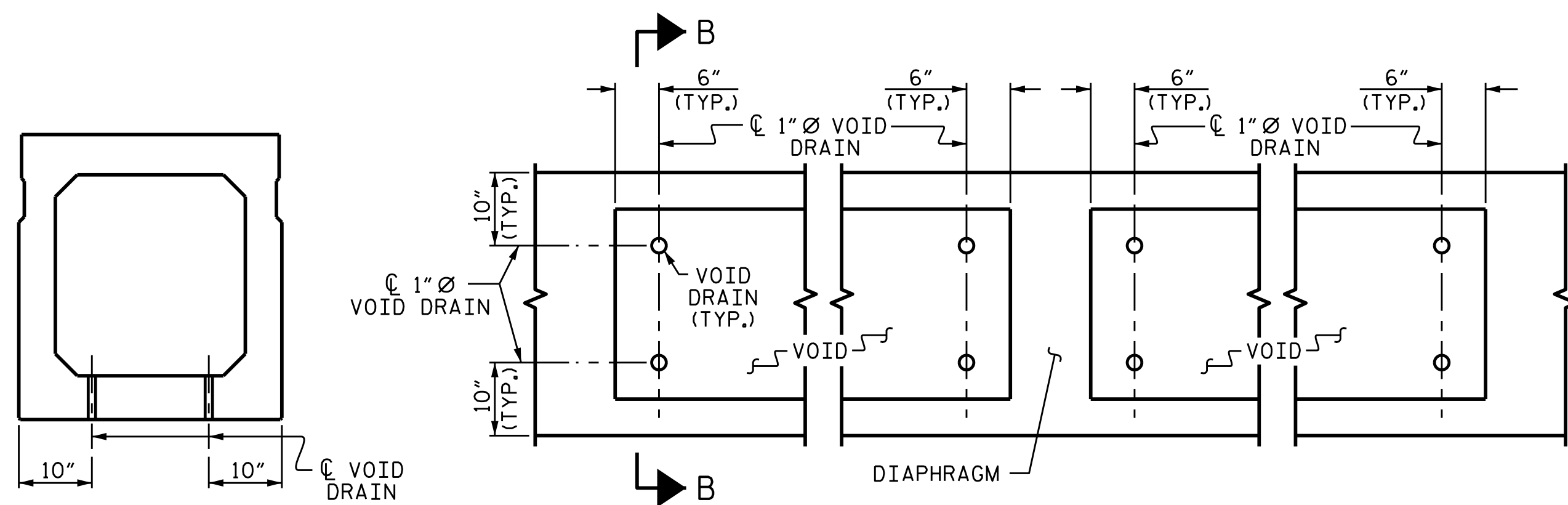


PART SECTION AT RECESS



SECTION X-X
SHOWING PLAN VIEW OF GROUDED RECESS

**GROUDED RECESS DETAIL AT
END OF POST-TENSIONED STRANDS
OF EXTERIOR BOX BEAM**



PART PLAN

SECTION B-B

VOID DRAIN DETAILS

(DIMENSIONS SHOWN ARE TYPICAL FOR EACH VOID)

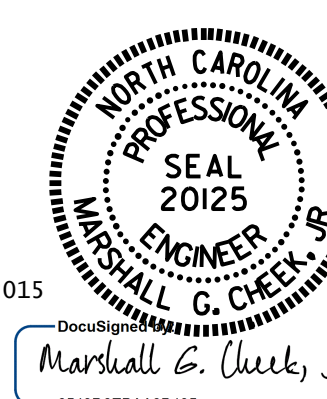
DEAD LOAD DEFLECTION AND CAMBER	
90' BOX BEAM UNIT	3'-0" x 3'-3"
	0.6" Ø L.R. STRAND
CAMBER (SLAB ALONE IN PLACE)	2 1/8" ↑
DEFLECTION DUE TO SUPERIMPOSED DEAD LOAD**	3/4" ↓
FINAL CAMBER	1 3/8" ↑
DEAD LOAD DEFLECTION AND CAMBER	
100' BOX BEAM UNIT	3'-0" x 3'-3"
	0.6" Ø L.R. STRAND
CAMBER (SLAB ALONE IN PLACE)	2" ↑
DEFLECTION DUE TO SUPERIMPOSED DEAD LOAD**	7/8" ↓
FINAL CAMBER	1 1/8" ↑

** INCLUDES FUTURE WEARING SURFACE

PROJECT NO. B-5341
ROCKINGHAM COUNTY
 STATION: 16+43.00 -L-

SHEET 6 OF 7

REVISIONS						SHEET NO.	
NO.	BY:	DATE:	NO.	BY:	DATE:	S-10	
1			3			TOTAL SHEETS 23	
2			4				



10/22/2015

ASSEMBLED BY : L.B. LACORTE	DATE : 6/14
CHECKED BY : W.J. HARRIS	DATE : 7/14
DRAWN BY : DGE II/II	REV. 8/14
CHECKED BY : TMG II/II	MAA/TMG