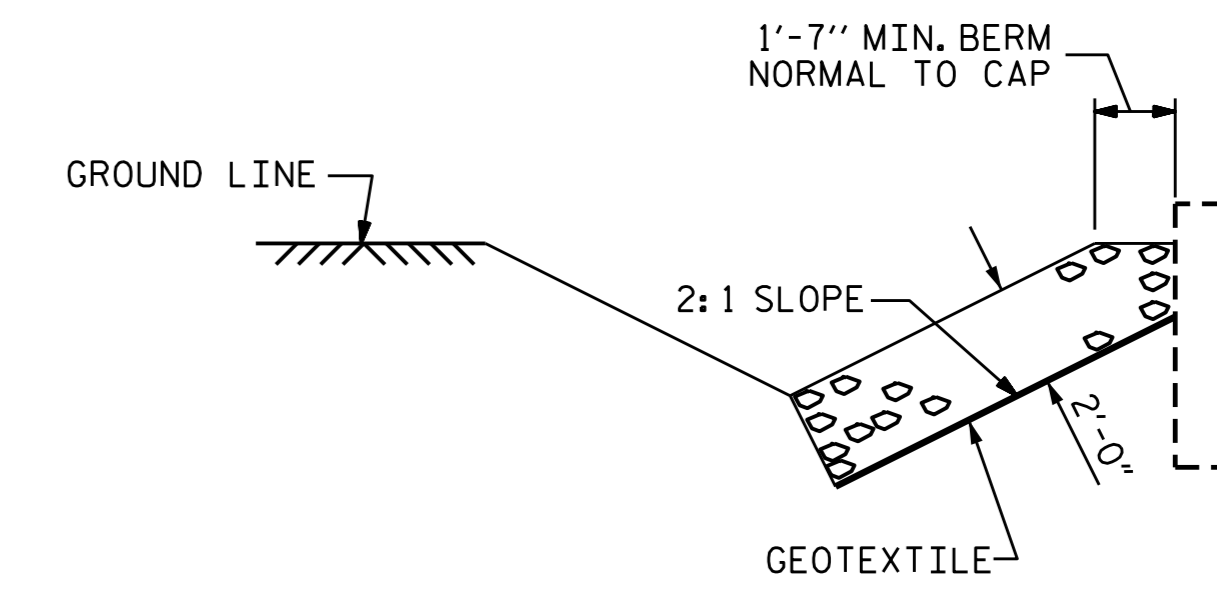
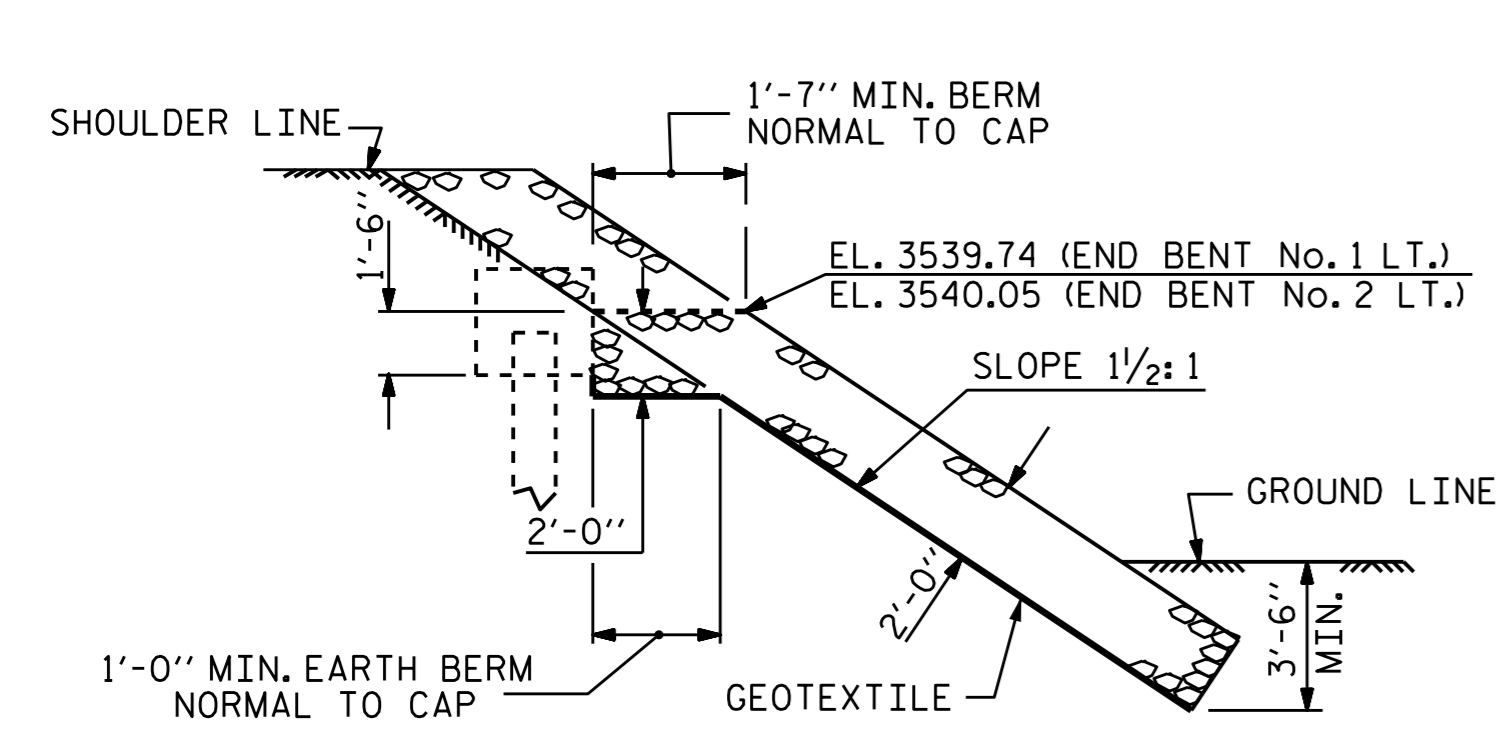


PLAN

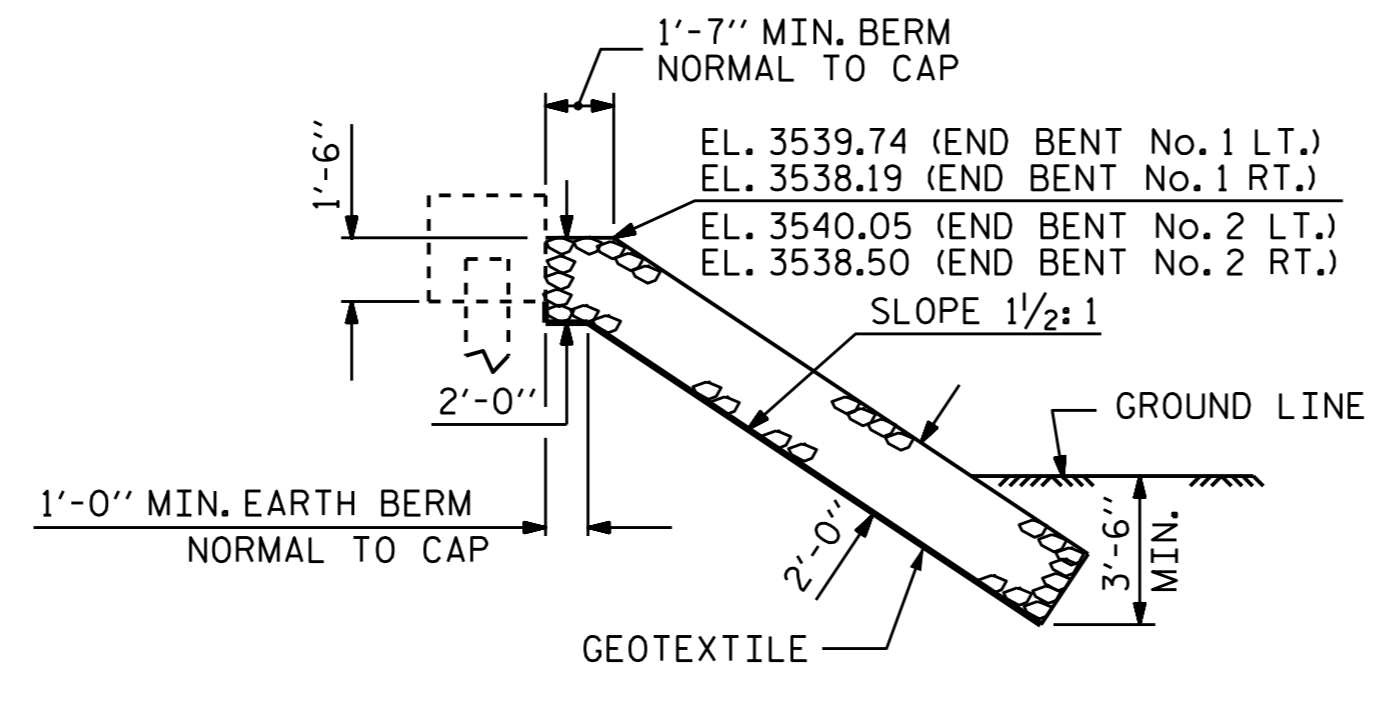
ESTIMATED QUANTITIES		
BRIDGE @ STA. 17+20.00-L-	RIP RAP CLASS II (2'-0" THICK)	GEOTEXTILE FOR DRAINAGE
	TONS	SQUARE YARDS
END BENT 1	90	100
END BENT 2	95	105
TOTAL	185	205



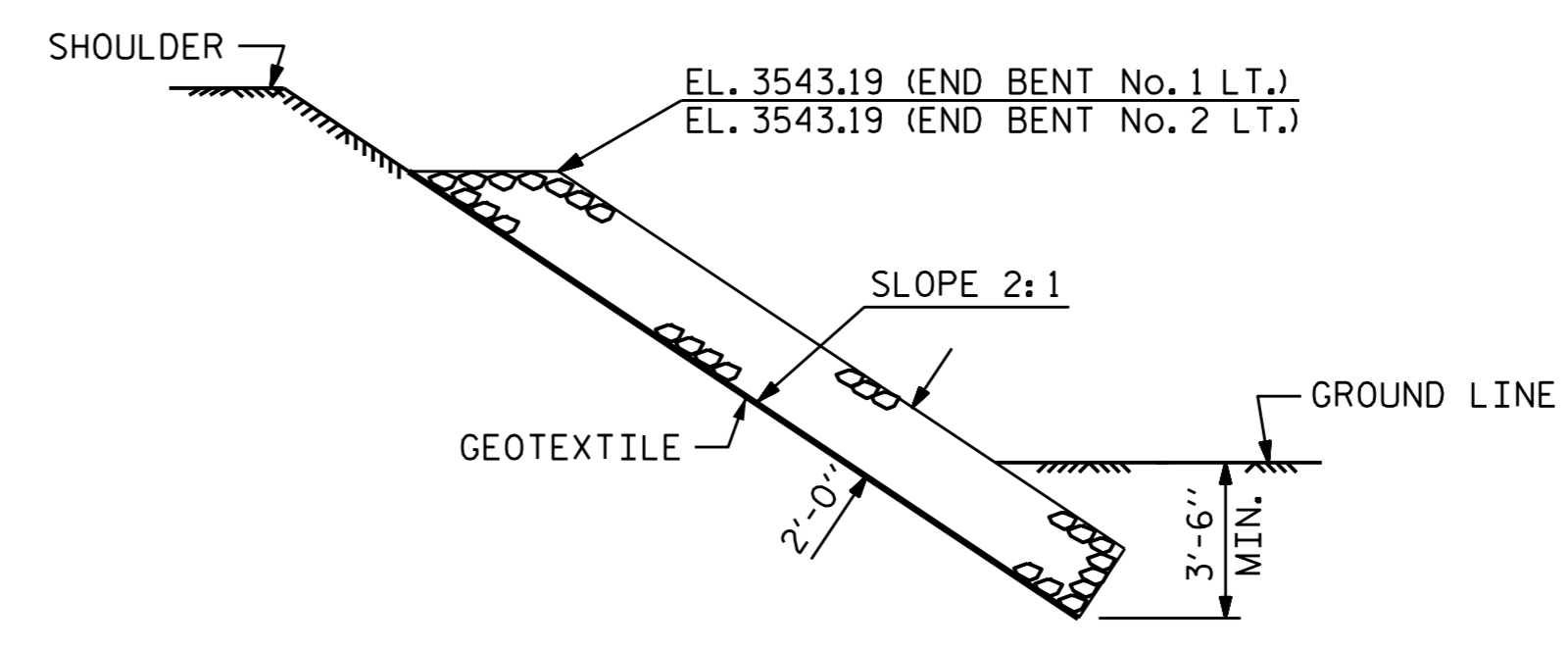
VIEW D-D



SECTION H-H

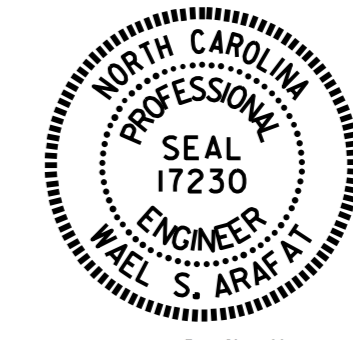


SECTION C-C
BERM RIP RAPPED



SECTION C-C

PROJECT NO. B-5404
JACKSON COUNTY
 STATION: 17+20.00-L-



Designed by:
 Wael Arafat
 4138C12A52AB408...
 11/18/2015

REVISIONS						SHEET NO. S-13
NO.	BY:	DATE:	NO.	BY:	DATE:	
1			3			TOTAL SHEETS 14
2			4			

ASSEMBLED BY : H. T. BARBOUR	DATE : 4-17-15
CHECKED BY : V. X. NGUYEN	DATE : 5-4-15
DRAWN BY : REK 1/84	REV. 5/1/06R TLA/GM
CHECKED BY : RDU 1/84	REV. 10/1/11 MAA/GM
	REV. 12/21/11 MAA/GM