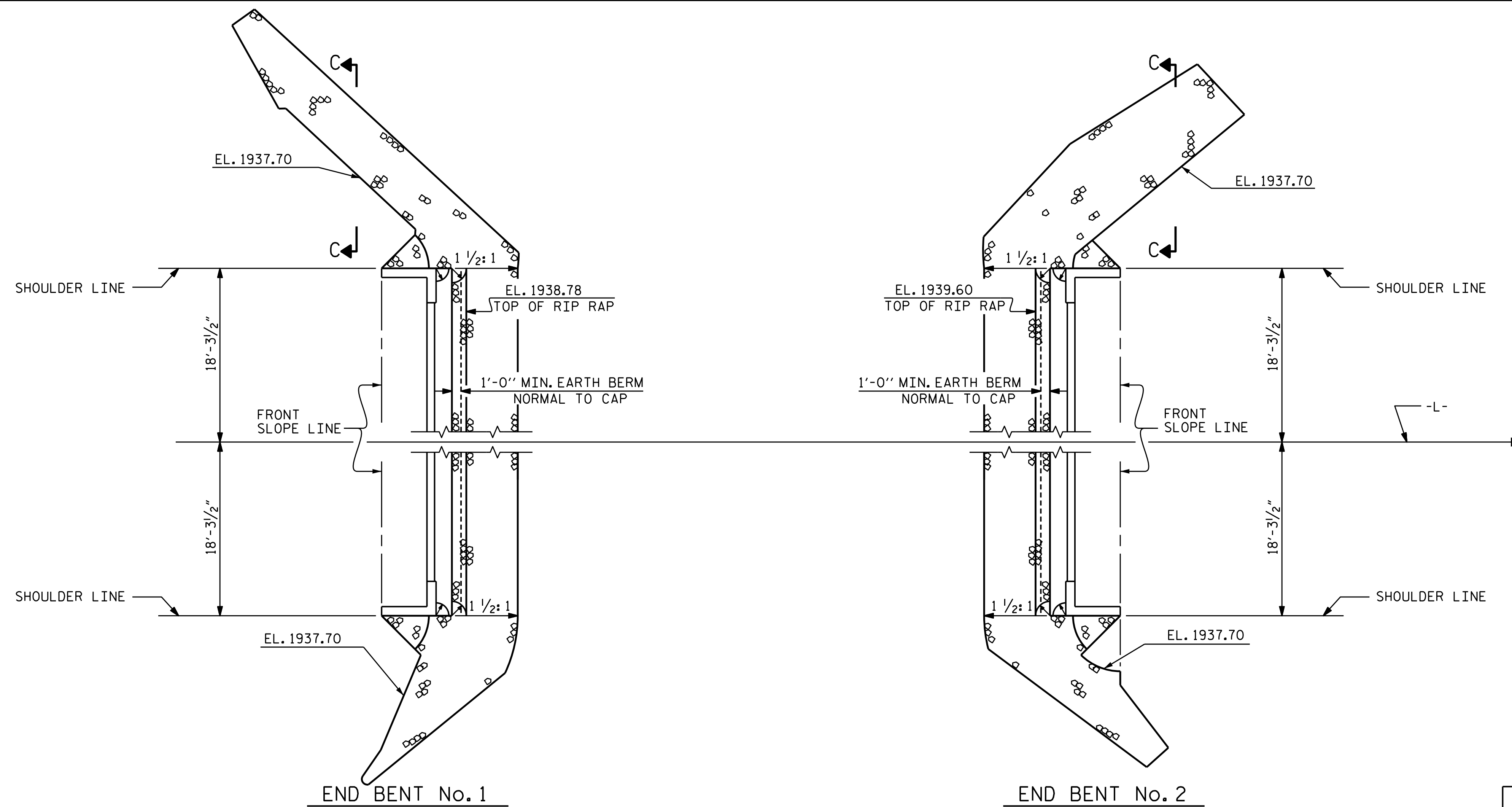
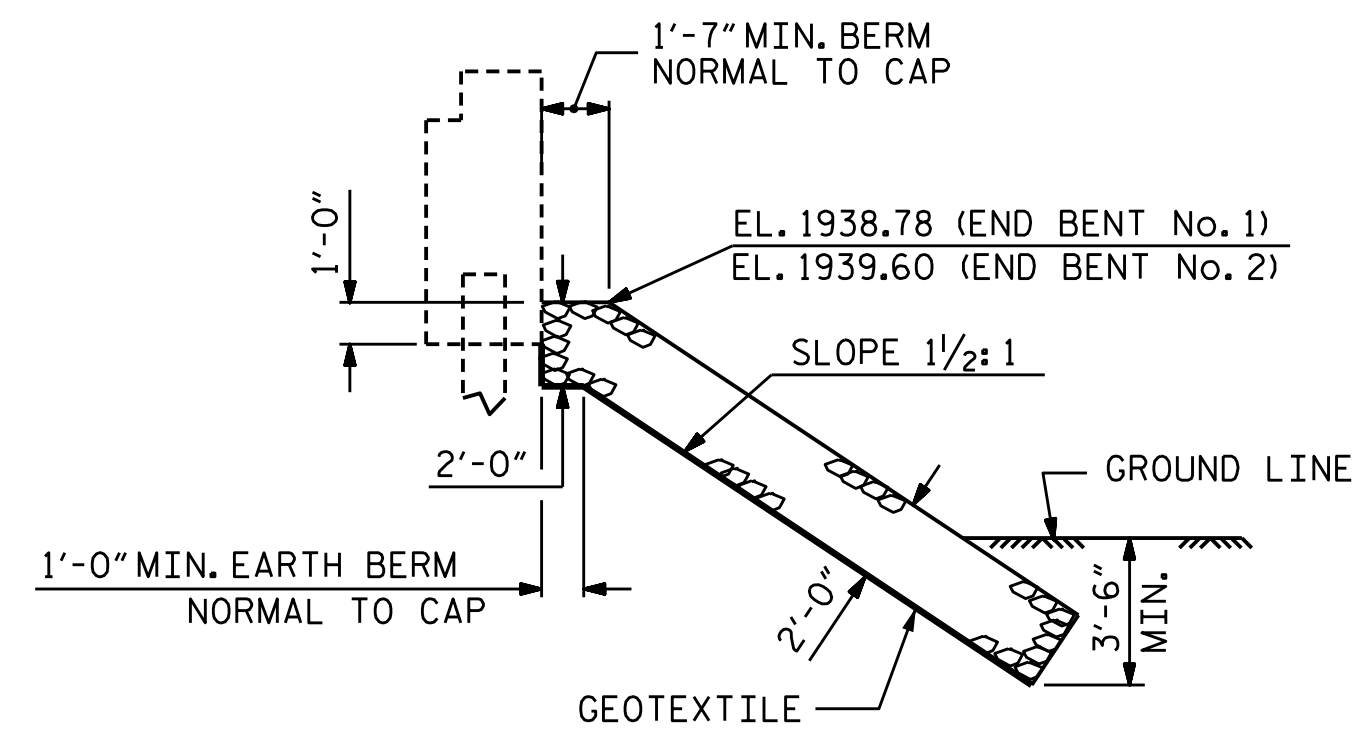


NOTES :
FOR BERM WIDTH DIMENSIONS, SEE GENERAL DRAWING.

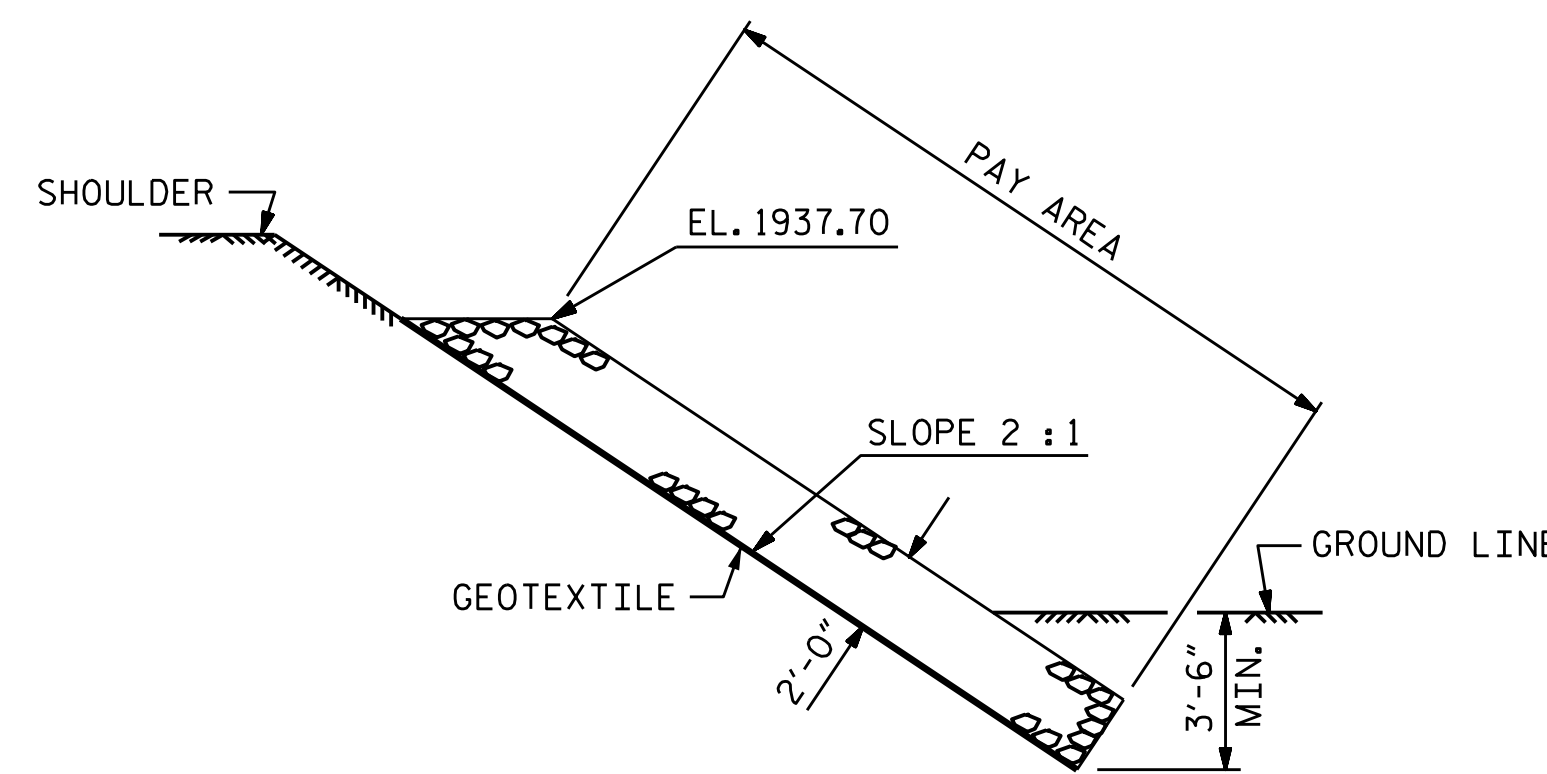


PLAN

ESTIMATED QUANTITIES		
BRIDGE @ STA. 18+33.50 -L-	RIP RAP CLASS II (2'-0" THICK)	GEOTEXTILE FOR DRAINAGE
	TONS	SQUARE YARDS
END BENT No. 1	215	240
END BENT No. 2	215	240
TOTAL	430	480



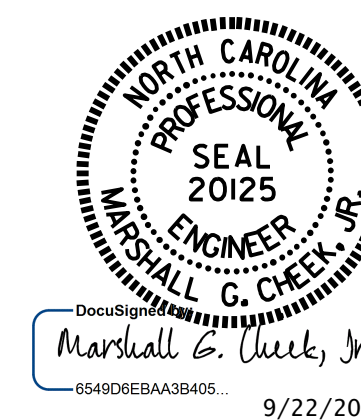
SECTION C-C
BERM RIP RAPPED



SECTION C-C

PROJECT NO. B-3868
MACON COUNTY
STATION: 18+33.50 -L-

STATE OF NORTH CAROLINA
DEPARTMENT OF TRANSPORTATION
RALEIGH
STANDARD
= RIP RAP DETAILS =



ASSEMBLED BY : D. HODGE DATE : 4/14
CHECKED BY : H.T. BARBOUR DATE : 3/15
DRAWN BY : REK 1/84
CHECKED BY : RDU 1/84

REV. 5/1/06R TLA/GM
REV. 10/1/11 MAA/GM
REV. 12/2/11 MAA/GM

REVISIONS						SHEET NO.
NO.	BY:	DATE:	NO.	BY:	DATE:	S-36
1			3			TOTAL SHEETS
2			4			40

*****SYTIME*****
*****DGN*****
*****USERNAME*****