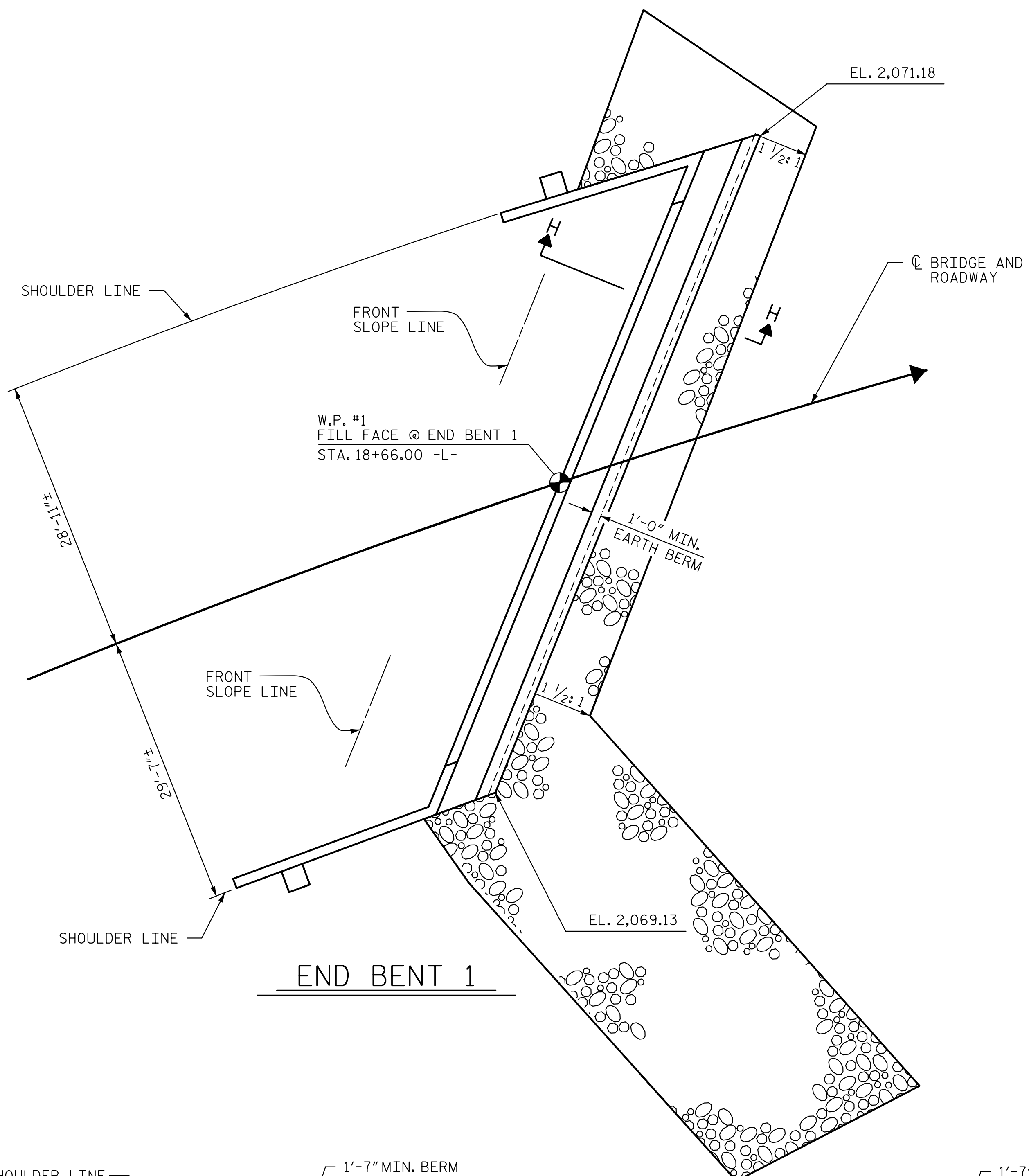
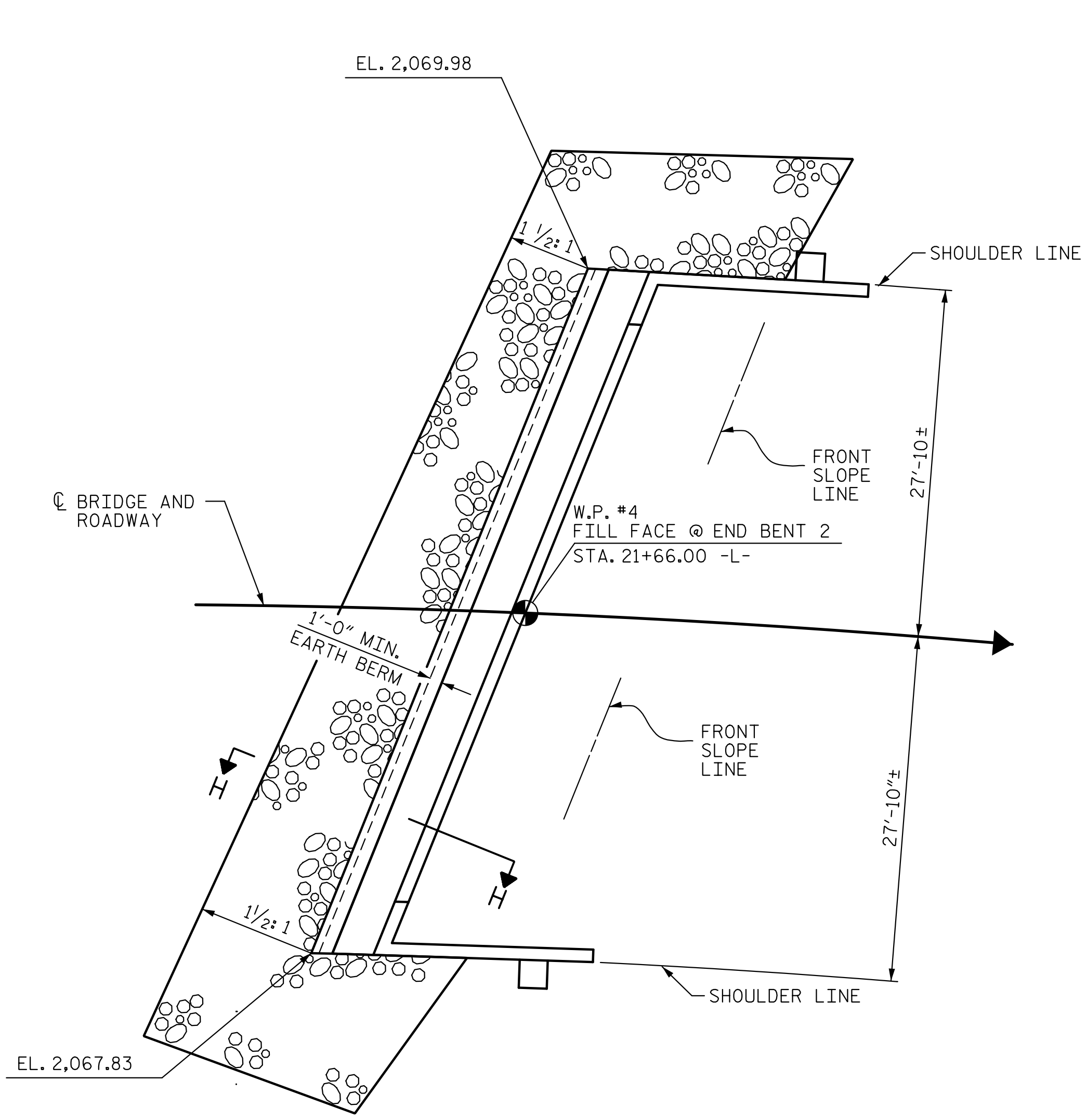


NOTES :
FOR BERM WIDTH DIMENSIONS, SEE GENERAL DRAWING.

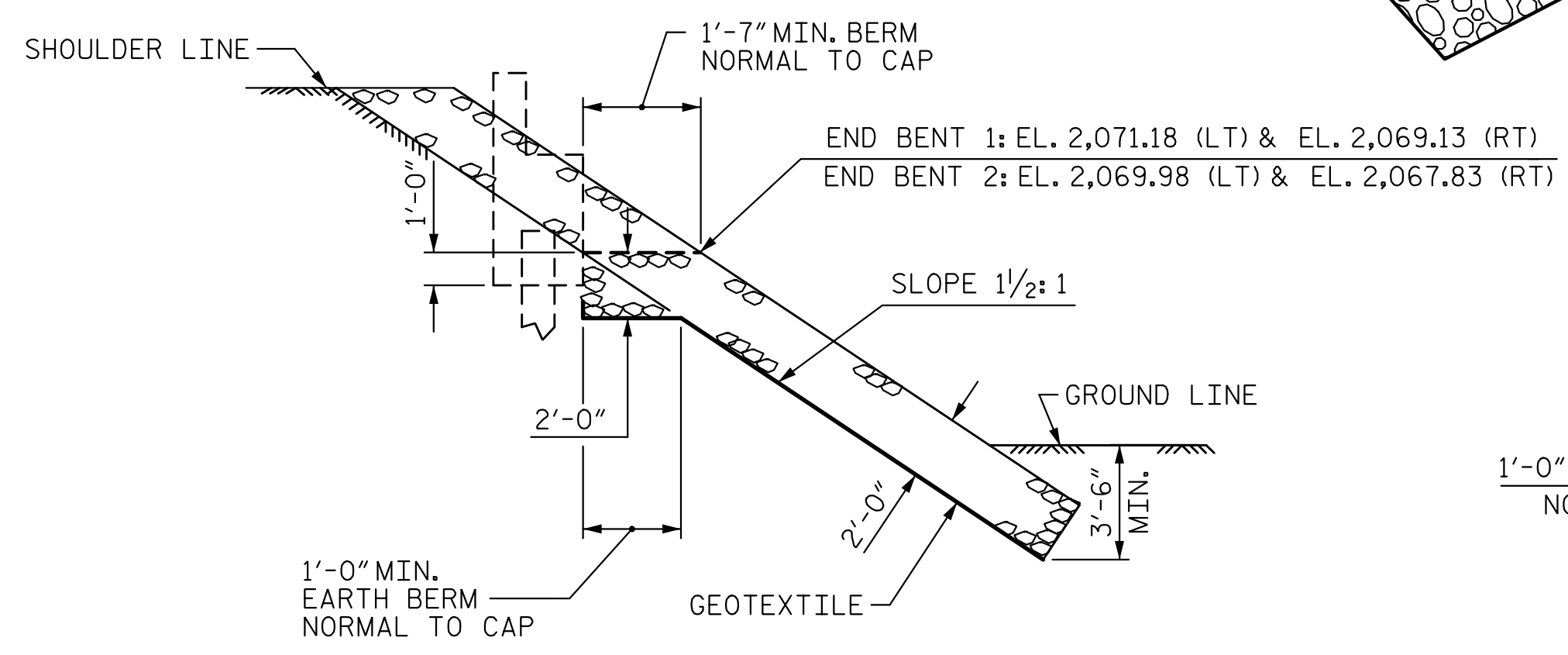


END BENT 1

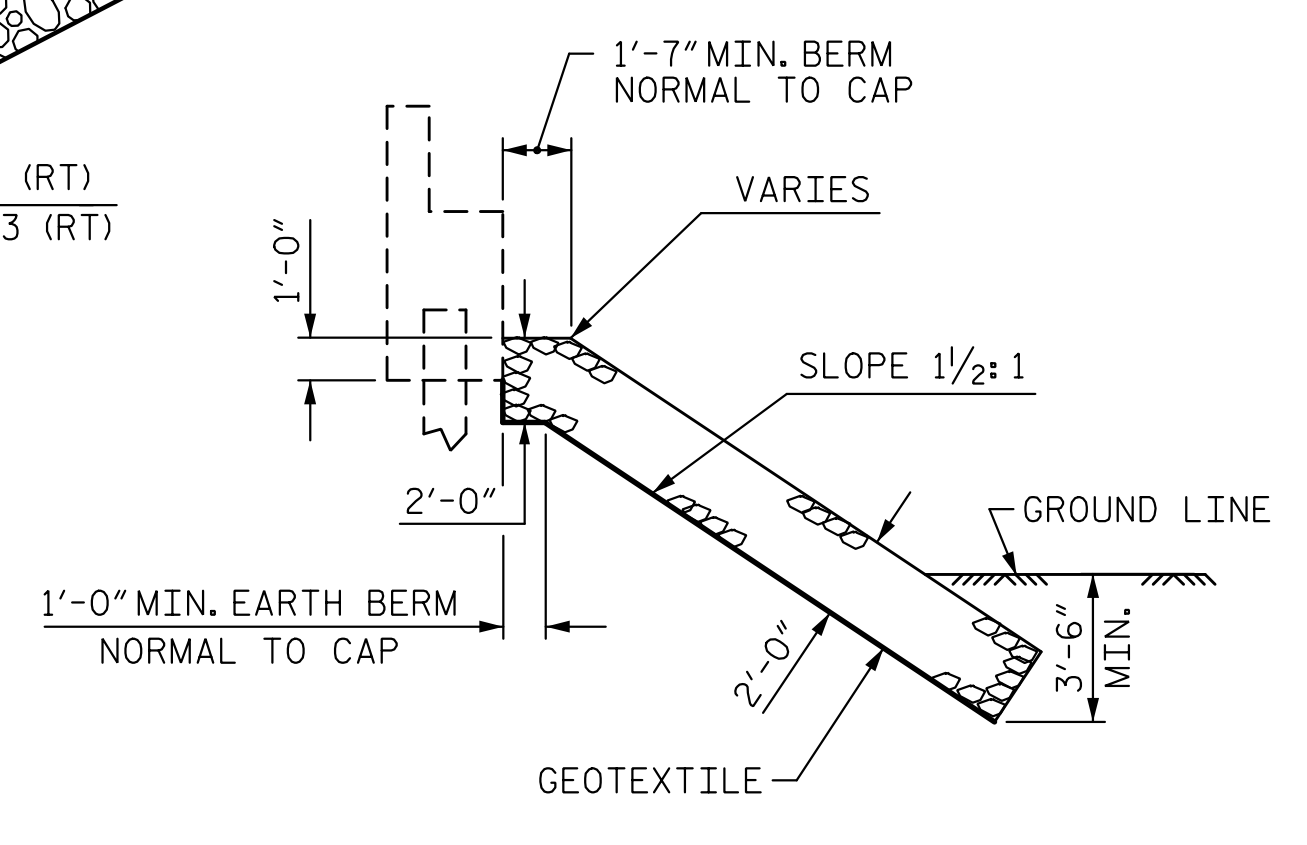


END BENT 2

ESTIMATED QUANTITIES		
BRIDGE @ STA. 20+16.00 -L-	RIP RAP CLASS II (2'-0" THICK)	GEOTEXTILE FOR DRAINAGE
	TONS	SQUARE YARDS
END BENT 1	183	204
END BENT 2	117	130



SECTION H-H

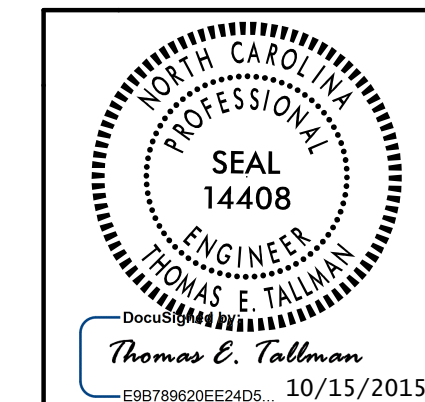


SECTION
BERM RIP RAPPED

PROJECT NO. B-4159
JACKSON COUNTY
STATION: 20+16.00 -L-

STATE OF NORTH CAROLINA
DEPARTMENT OF TRANSPORTATION
RALEIGH

—RIP RAP DETAILS—



REVISIONS						SHEET NO. S-61
NO.	BY:	DATE:	NO.	BY:	DATE:	
1			3			TOTAL SHEETS 64
2			4			

10/14/2015 10:41:59 AM b4159_sd.rvt.dgn TCA Engineering, Inc.

DRAWN BY : D. H. CARTER DATE : SEP 2015
CHECKED BY : K. M. MOBLEY DATE : SEP 2015
DESIGN ENGINEER OF RECORD: T. E. TALLMAN DATE : OCT 2015