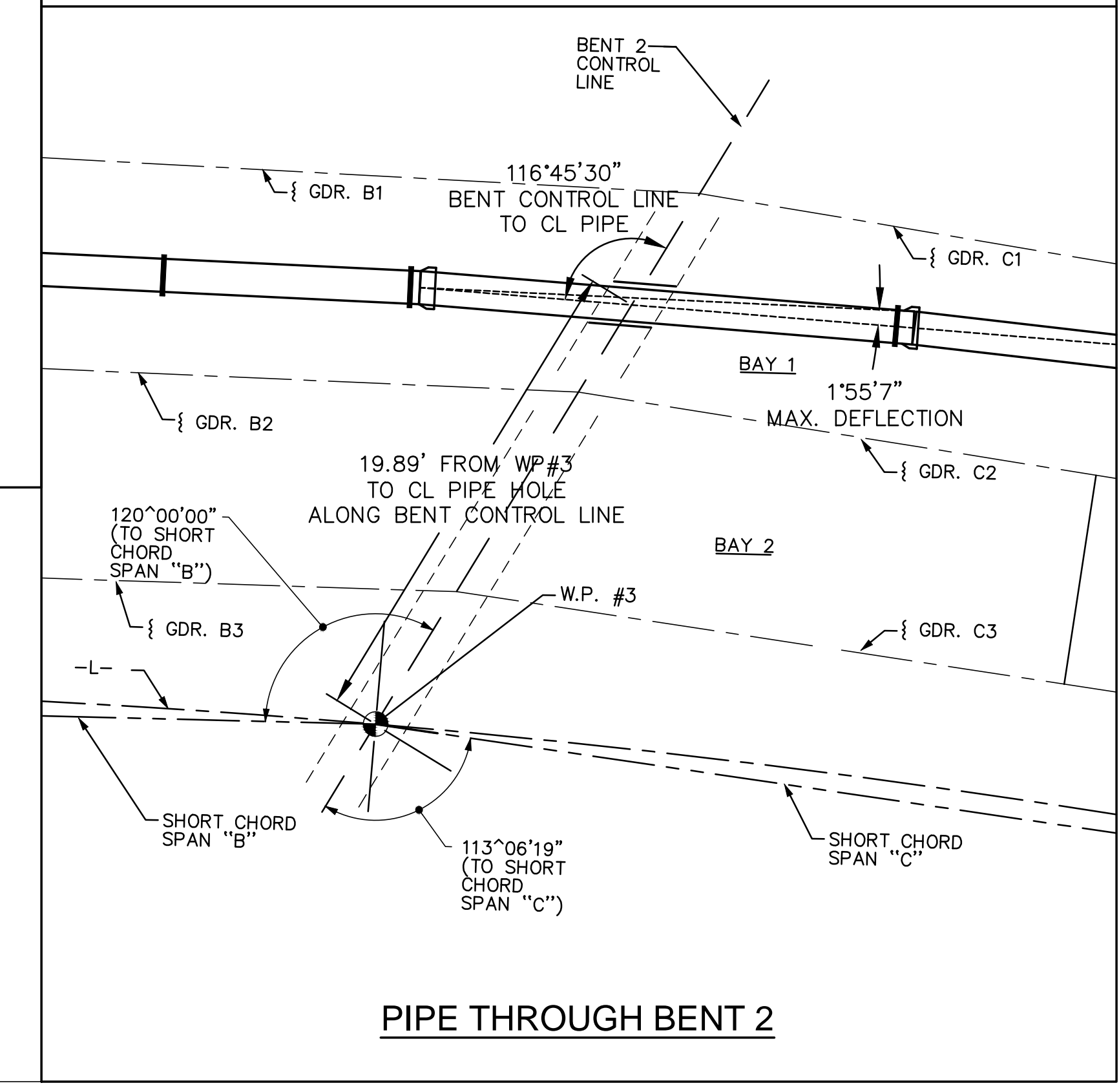
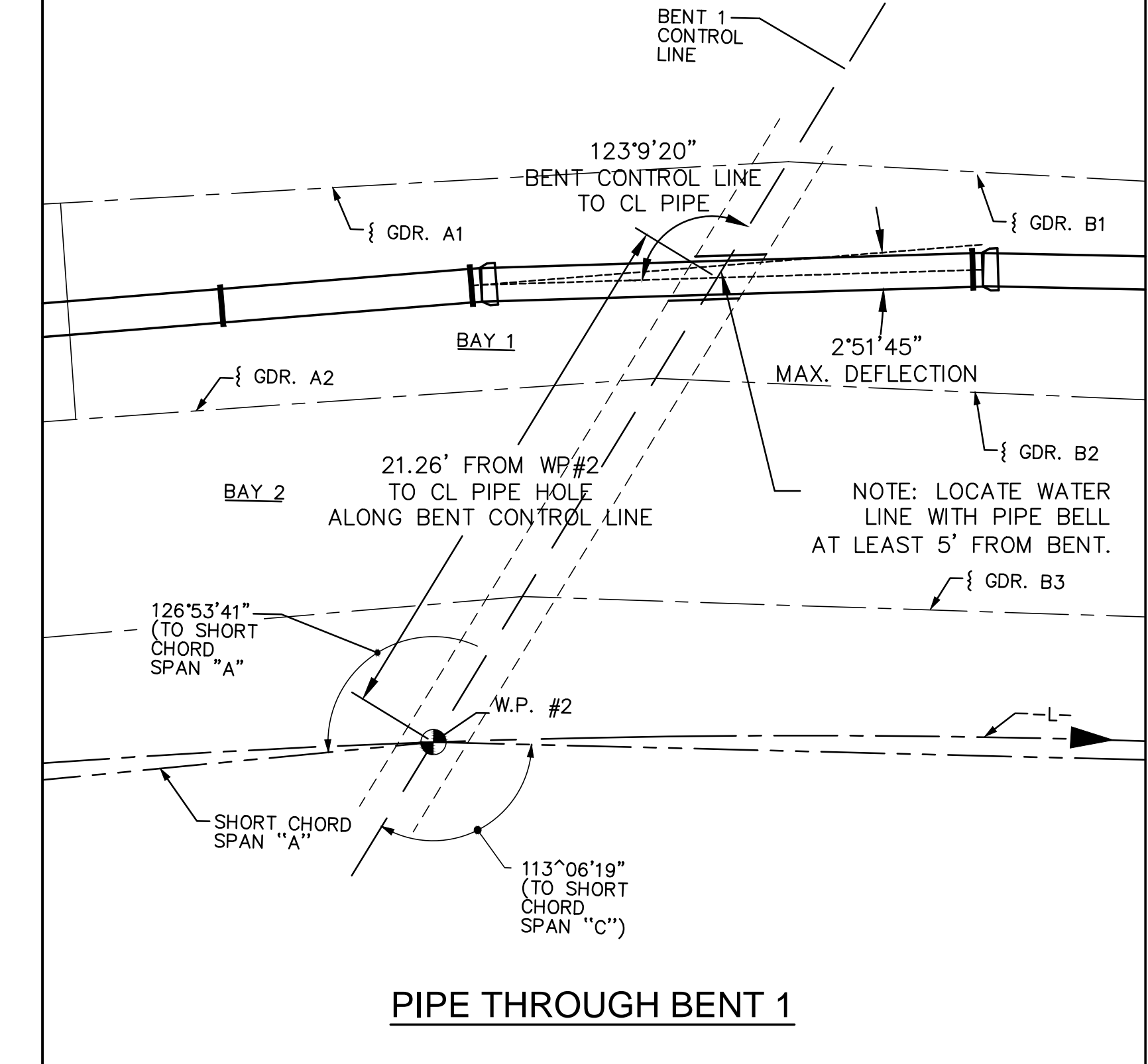
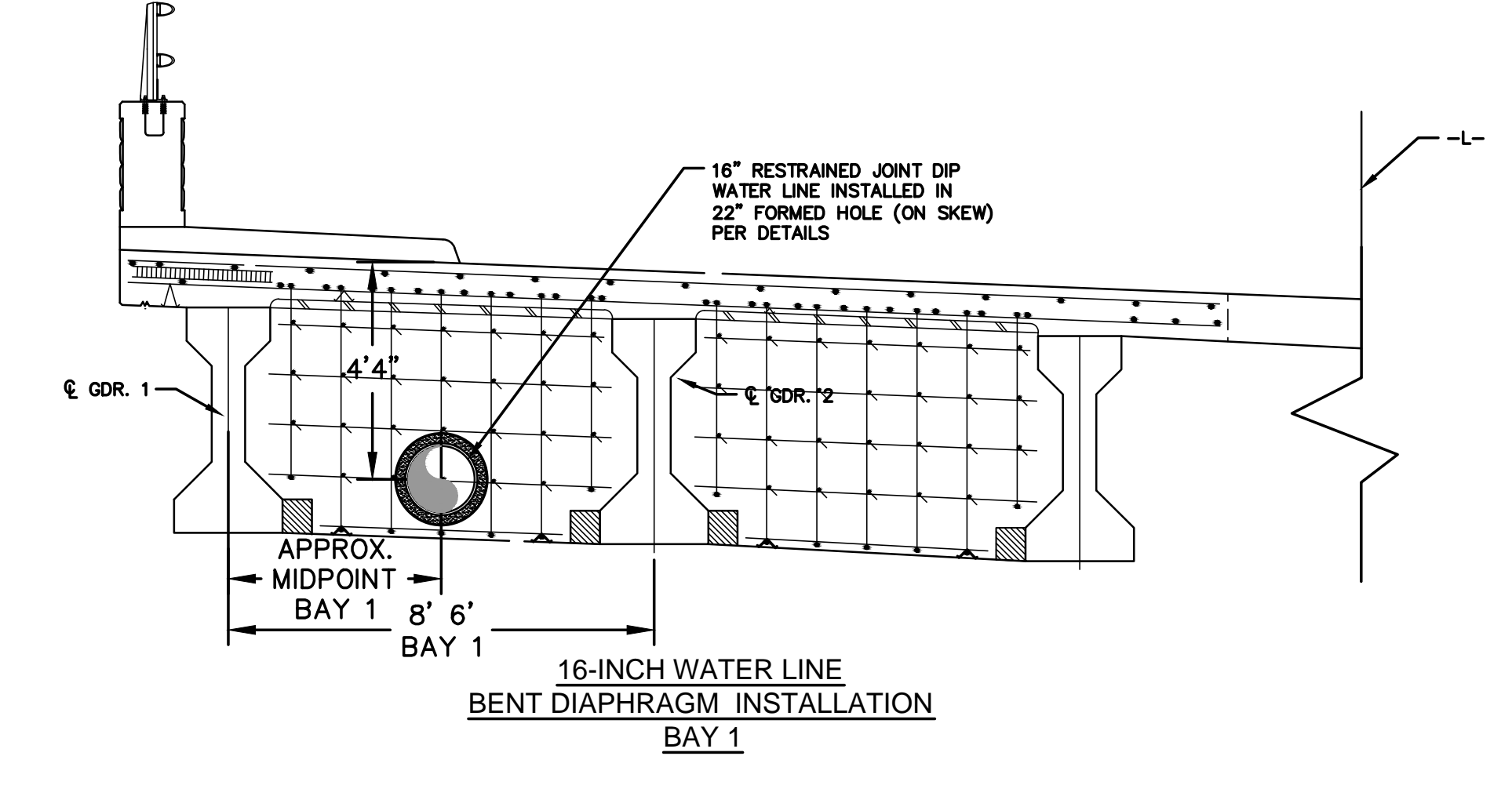
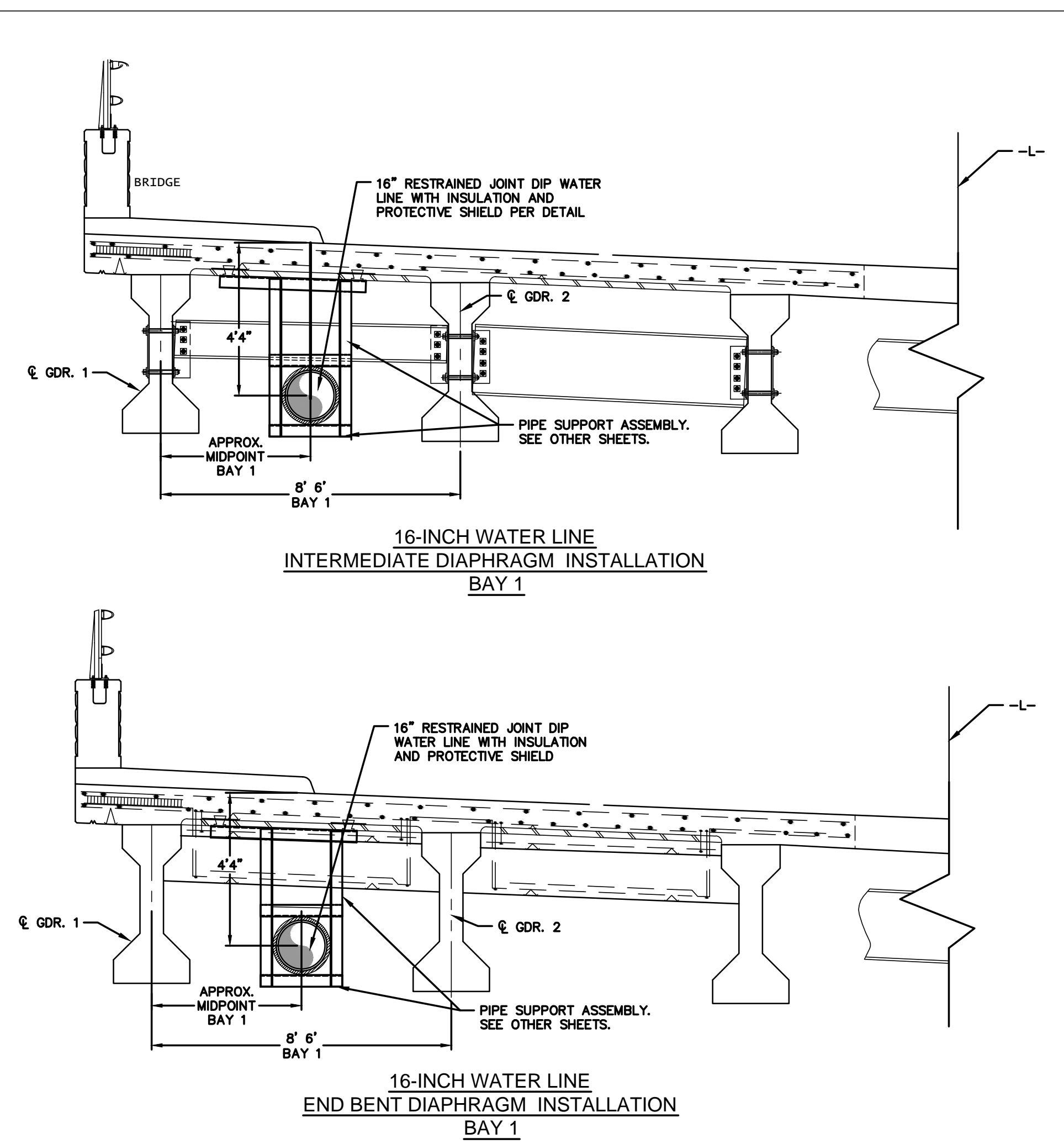
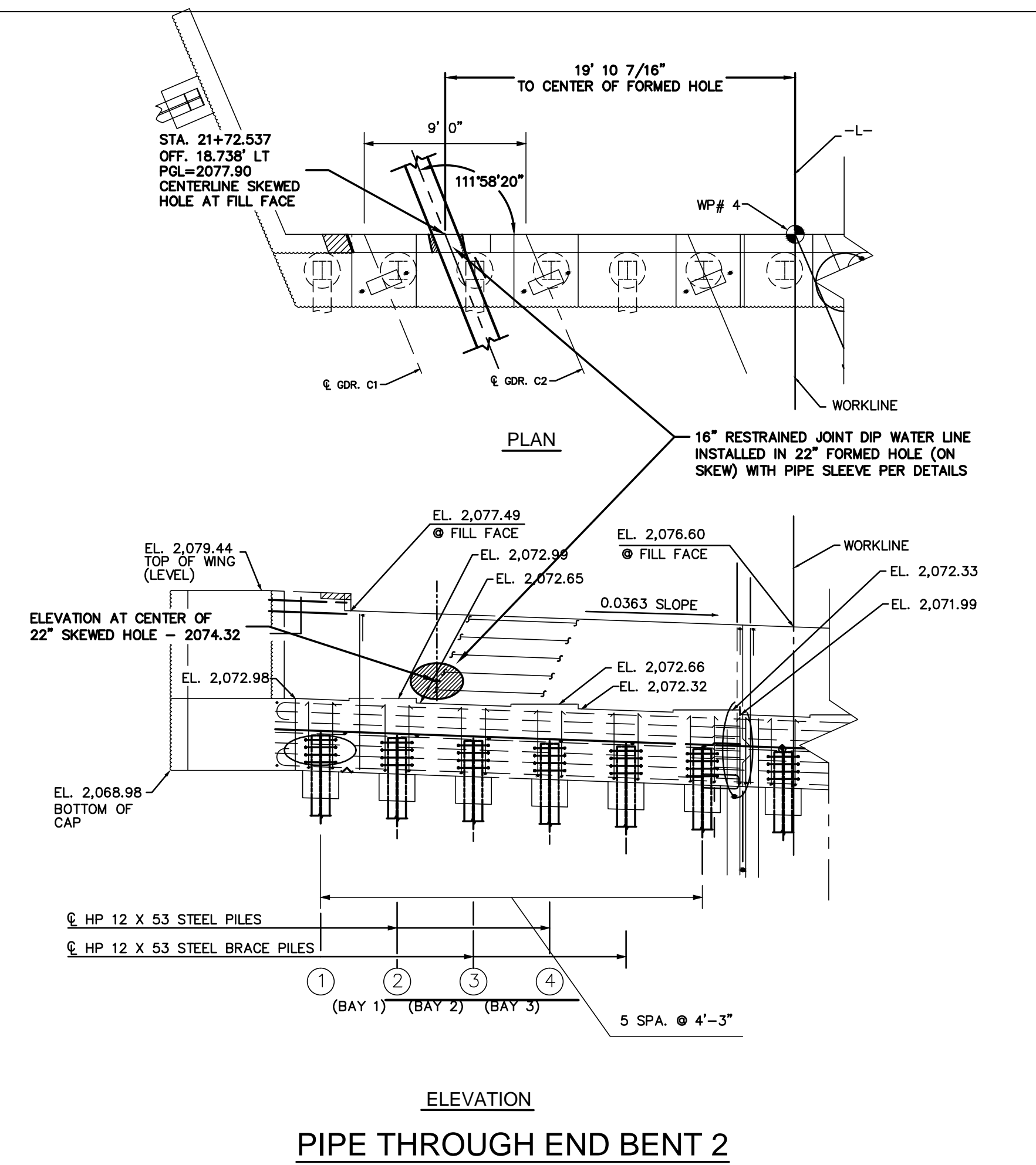


UTILITY CONSTRUCTION
RESTRAINED JOINT PIPE DETAILS



REVISIONS