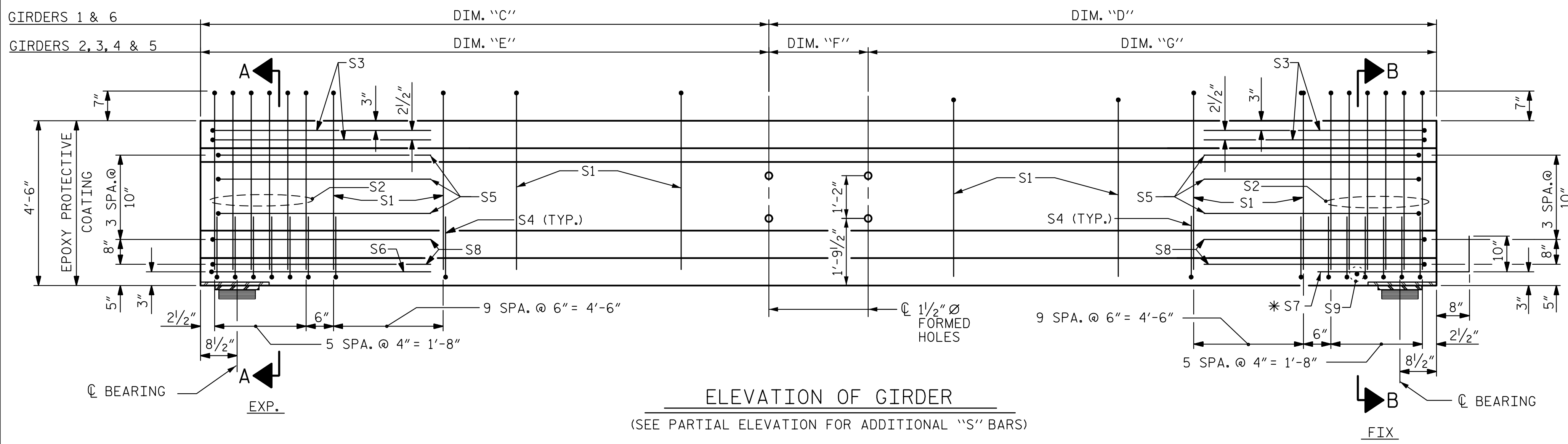
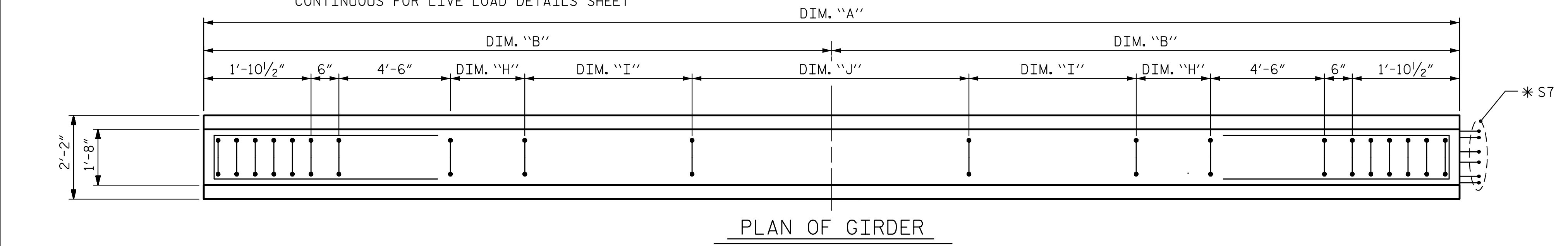
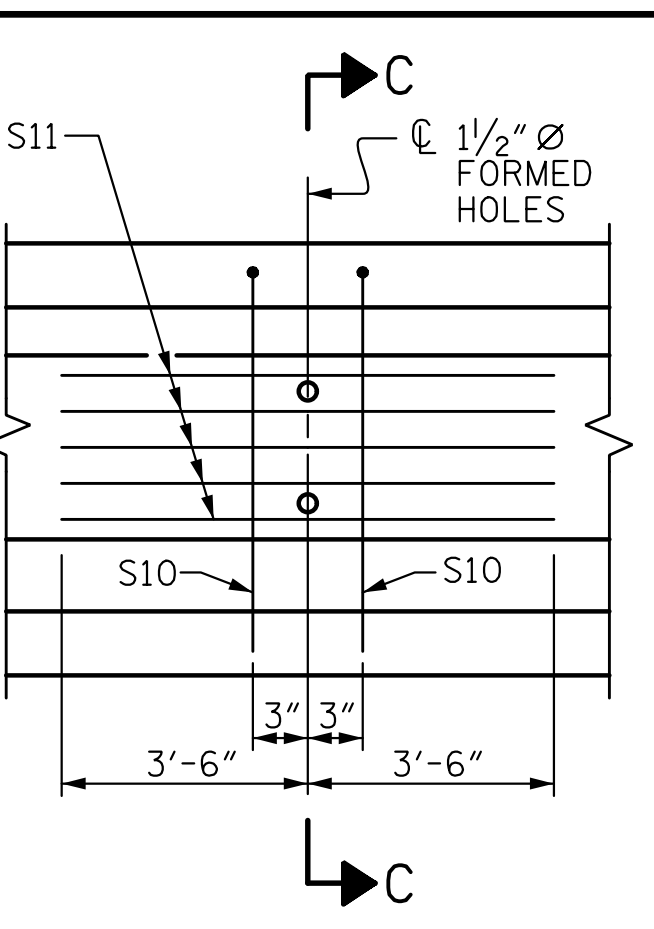
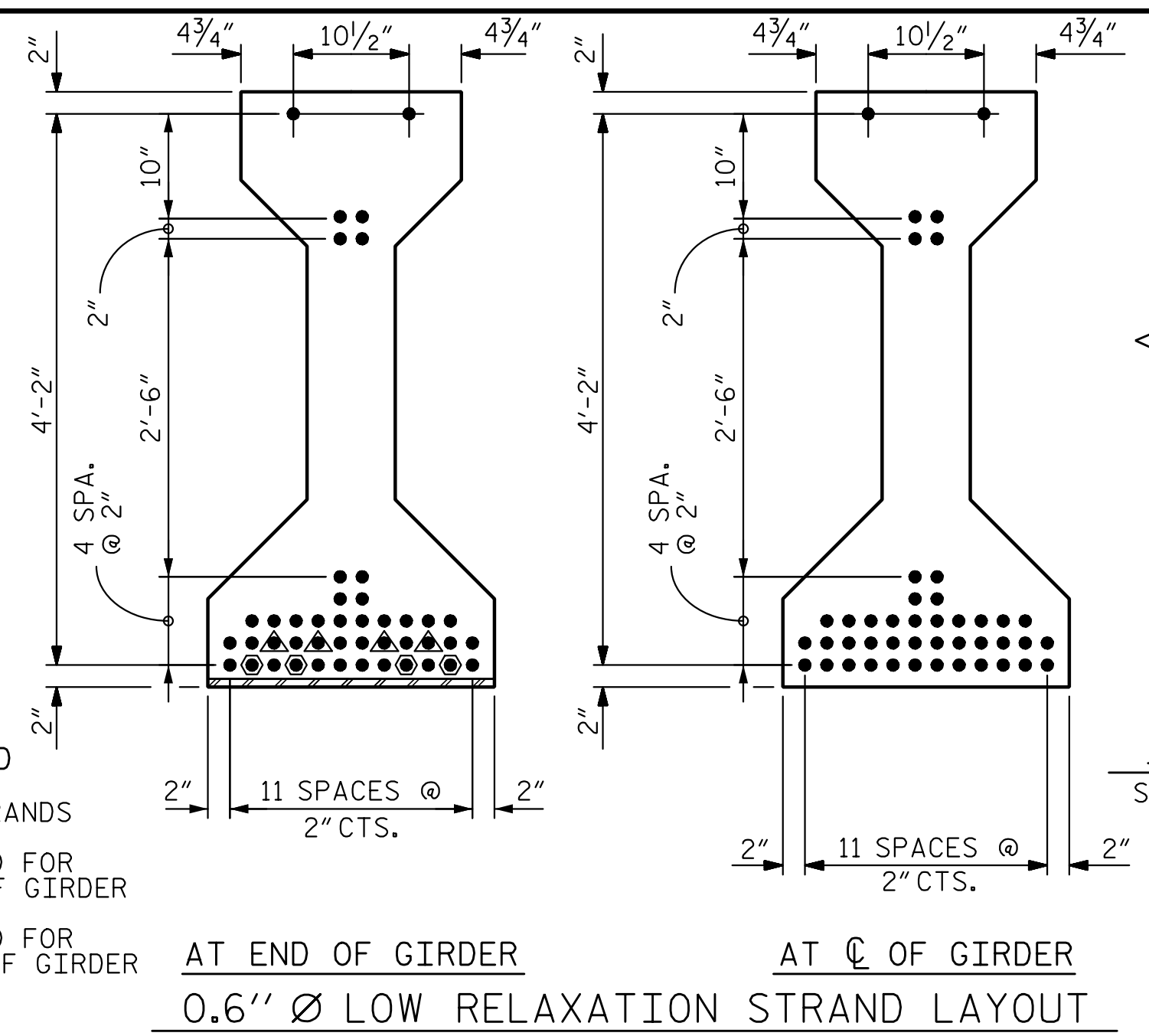


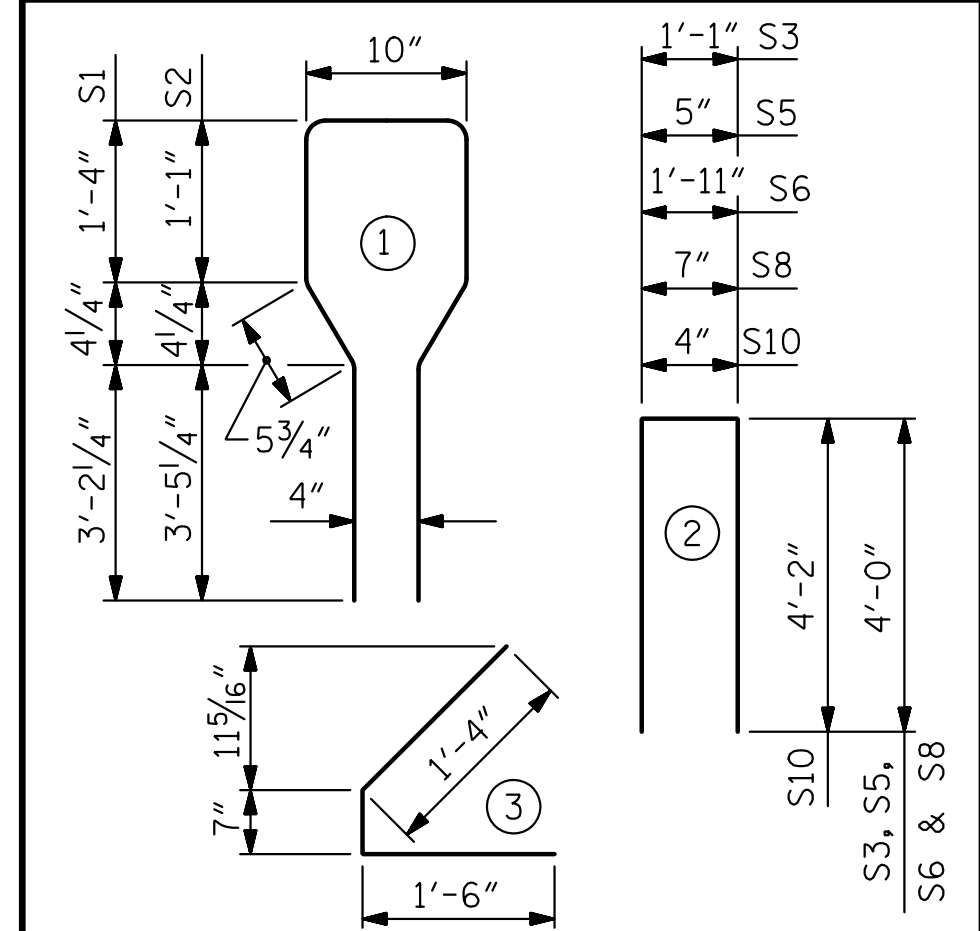
*FOR S7 BARS, SEE DETAIL "A" OF PRESTRESSED CONCRETE GIRDER CONTINUOUS FOR LIVE LOAD DETAILS SHEET

- DEBONDING LEGEND**
- FULLY BONDED STRANDS
 - ▲ STRANDS DEBONDED FOR 6'-0" FROM END OF GIRDER
 - ⊙ STRANDS DEBONDED FOR 12'-0" FROM END OF GIRDER



0.6" Ø L. R. GRADE 270 STRANDS					
AREA (SQ. INCHES)	ULTIMATE STRENGTH (LBS. PER STRAND)	APPLIED PRESTRESS (LBS. PER STRAND)			
0.217	58,600	43,950			
REINFORCING STEEL FOR ONE GIRDER					
BAR	NUMBER	SIZE	TYPE	LENGTH	WEIGHT
S1	82	#4	1	10'-10"	593
S2	12	#6	1	10'-10"	195
S3	4	#4	2	9'-11"	24
S4	64	#4	3	3'-5"	146
S5	6	#4	2	8'-5"	34
S6	1	#4	2	9'-11"	7
*S7	6	#5	STR	3'-8"	23
S8	4	#4	2	8'-7"	23
S9	1	#3	STR	1'-10"	1
S10	2	#5	2	8'-8"	18
S11	5	#4	STR	7'-0"	23
S12	5	#4	STR	14'-6"	48

* NOTE: S7 BARS SHALL BE BENT BEFORE SHIPMENT. HEAT BENDING SHALL NOT BE ALLOWED.



QUANTITIES FOR ONE GIRDER			
	REINFORCING STEEL LB.	8500 PSI CONCRETE C.Y.	0.6" Ø L. R. STRANDS No.
GDR. 1	1087	19.4	44
GDR. 2	1130	19.5	44
GDR. 3	1145	19.6	44
GDR. 4	1145	19.7	44
GDR. 5	1145	19.8	44
GDR. 6	1116	19.9	44

GIRDERS REQUIRED			
	NUMBER	LENGTH	TOTAL LENGTH
STAGE 1	3	VARIES	292'-8"
STAGE 2	3	VARIES	287'-7 7/8"
TOTAL	6	-	580'-3 3/8"

PROJECT NO. B-4159
JACKSON COUNTY
STATION: 20+16.00 -L-
SHEET 1 OF 4

STATE OF NORTH CAROLINA
DEPARTMENT OF TRANSPORTATION
RALEIGH

STANDARD
AASHTO TYPE IV
PRESTRESSED CONCRETE GIRDER
CONTINUOUS FOR LIVE LOAD
SPAN "A"

REVISIONS					
NO.	BY:	DATE:	NO.	BY:	DATE:
1			3		
2			4		

SHEET NO. S-26
TOTAL SHEETS 64

ASSEMBLED BY : D. H. CARTER DATE : SEP 2015
CHECKED BY : M. T. NEIHEISEL DATE : SEP 2015
DRAWN BY : ELR 8/91 REV. 10/17/00R RWW/LES
CHECKED BY : GRP 8/91 REV. 5/1/06R TLA/GM
REV. 10/1/11 MAA/GM

GIRDER	DIM. "A"	DIM. "B"	DIM. "C"	DIM. "D"	DIM. "E"	DIM. "F"	DIM. "G"	DIM. "H"	DIM. "I"	DIM. "J"
1	95'-4 1/2"	47'-8 1/4"	44'-7 3/8"	50'-9 1/8"				9 3/4"	21 SPA. @ 1'-0"	19 SPA. @ 2'-0"
2	95'-10 1/2"	47'-11 1/4"			44'-9 3/4"	6'-2 3/8"	44'-10 3/8"	1'-0 3/4"	21 SPA. @ 1'-0"	19 SPA. @ 2'-0"
3	96'-4 7/8"	48'-2 7/16"	51'-3 15/16"	45'-0 15/16"	45'-6 3/8"	5'-9 3/8"	45'-0 7/8"	3 15/16"	22 SPA. @ 1'-0"	19 SPA. @ 2'-0"
4	96'-10 1/2"	48'-5 1/4"	44'-8 15/16"	52'-1 1/16"	44'-9"	6'-4 3/8"	45'-9 1/8"	6 3/4"	22 SPA. @ 1'-0"	19 SPA. @ 2'-0"
5	97'-6 1/2"	48'-9 1/4"			45'-0 1/8"	7'-5 1/16"	45'-0 15/16"	10 3/4"	22 SPA. @ 1'-0"	19 SPA. @ 2'-0"
6	98'-3"	49'-1 1/2"	52'-10 5/8"	45'-4 3/8"				3"	23 SPA. @ 1'-0"	19 SPA. @ 2'-0"

