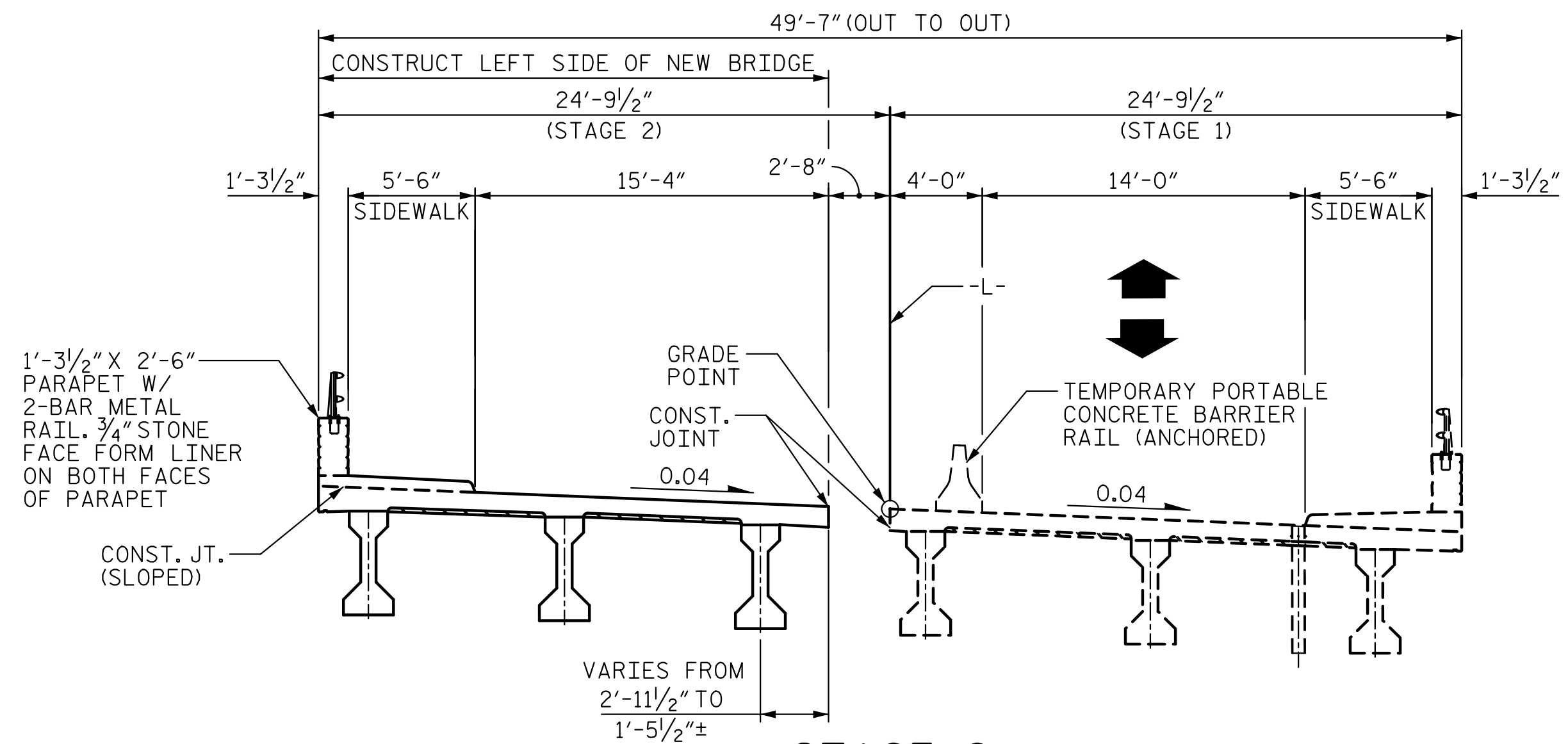
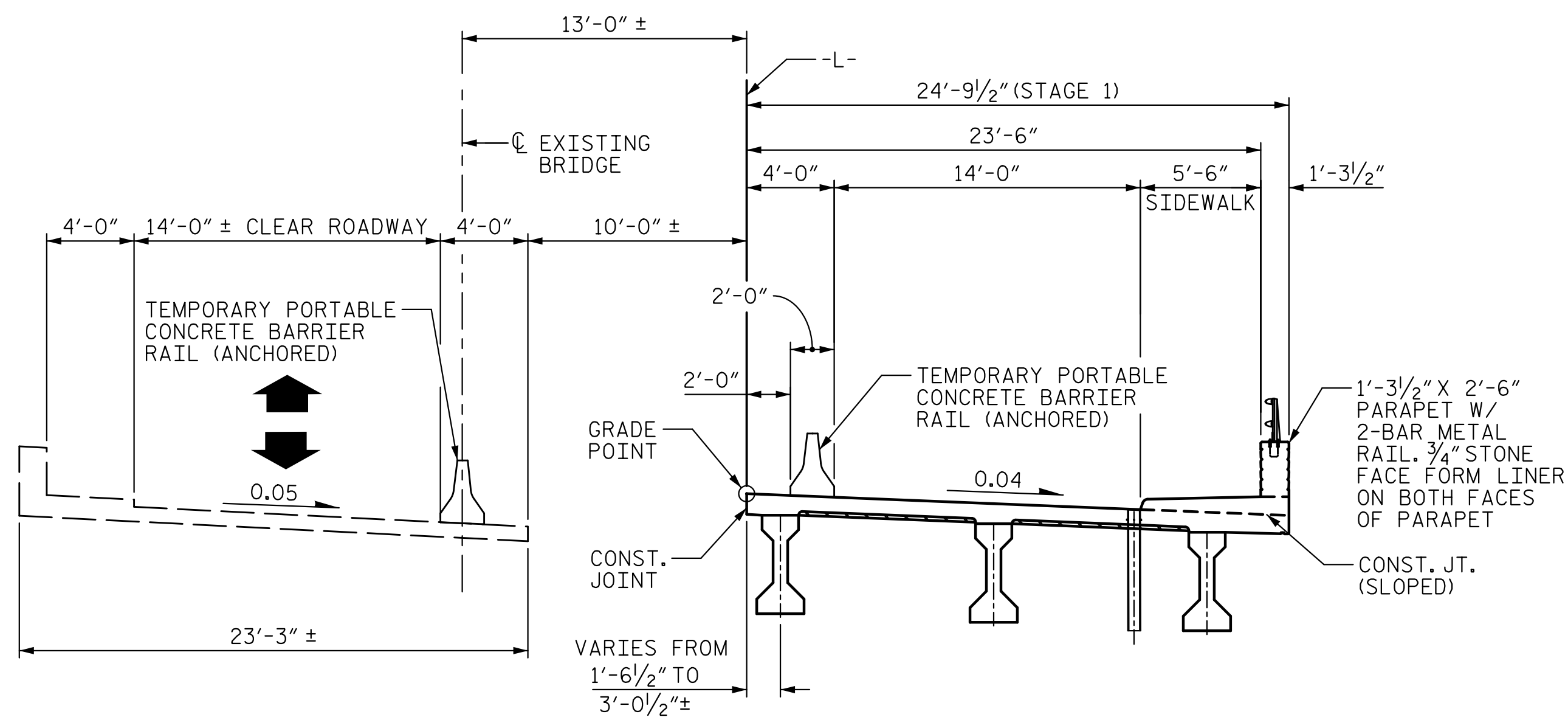


**EXISTING BRIDGE SECTION**



**STAGE 2**

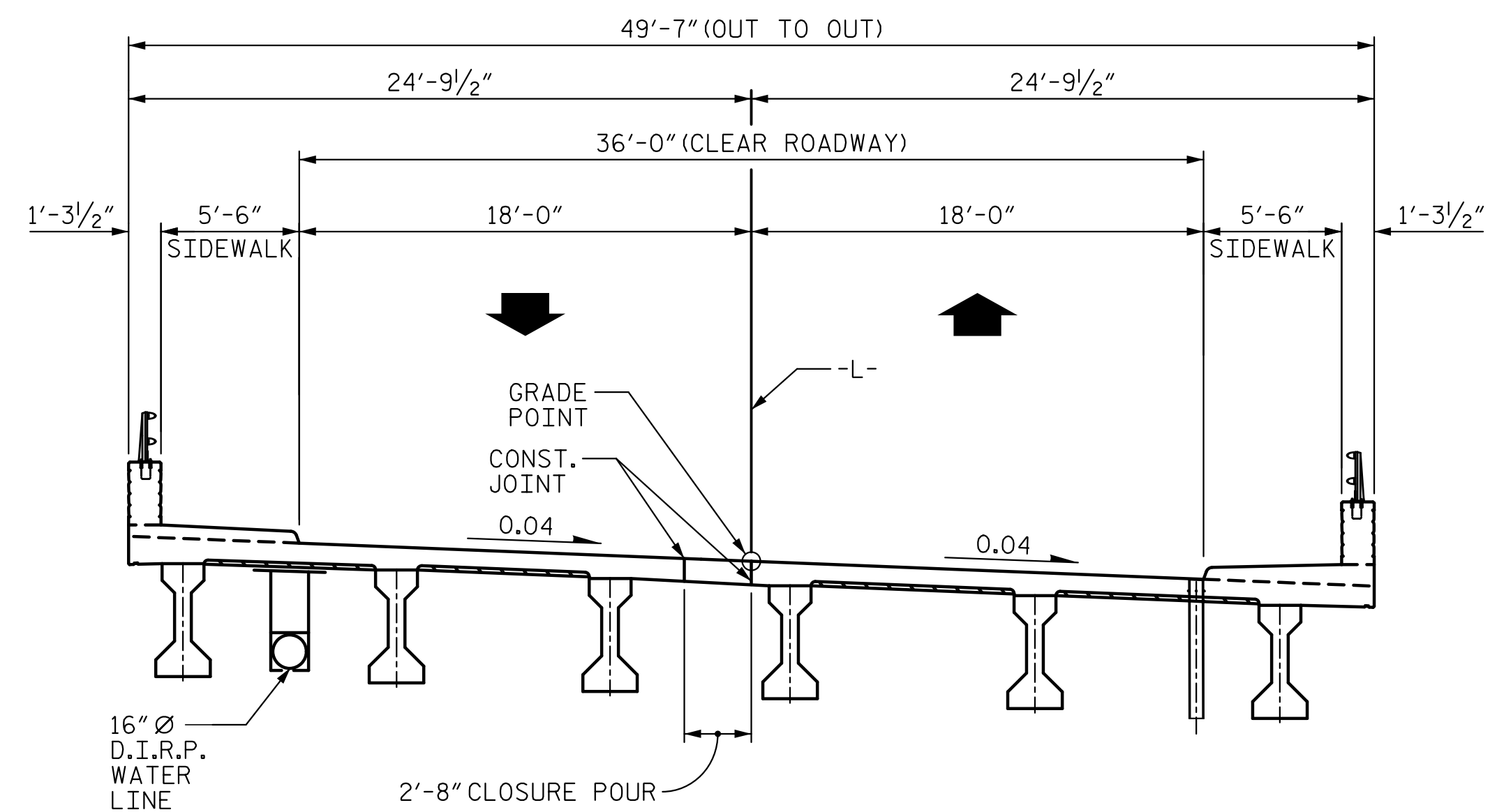
SHIFT TRAFFIC TO NEW BRIDGE  
REMOVE REMAINDER OF EXISTING BRIDGE  
COMPLETE LEFT SIDE OF NEW BRIDGE



**STAGE 1**

REMOVE 17'-3" OF EXISTING BRIDGE  
CONSTRUCT RIGHT SIDE OF PROPOSED BRIDGE

NOTE: ALL DIMENSIONS ARE RADIAL



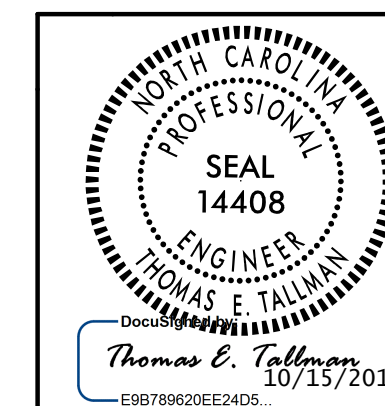
**FINAL STAGE**

CONSTRUCT CLOSURE POUR  
AND OPEN TO TRAFFIC

PROJECT NO. B-4159  
JACKSON COUNTY  
STATION: 20+16.00 -L-

STATE OF NORTH CAROLINA  
DEPARTMENT OF TRANSPORTATION  
RALEIGH  
SUPERSTRUCTURE  
CONSTRUCTION  
SEQUENCE

REVISIONS						SHEET NO.
NO.	BY:	DATE:	NO.	BY:	DATE:	S-7
1			3			TOTAL SHEETS
2			4			64



10/14/2015 10:14:15 AM C:\eng\p\proj\B-4159.sd.pc.dgn ICA Engineering, Inc.

DRAWN BY : D. H. CARTER DATE : SEP 2015  
CHECKED BY : K. M. MOBLEY/T. E. TALLMAN DATE : SEP 2015  
DESIGN ENGINEER OF RECORD: T. E. TALLMAN DATE : OCT 2015