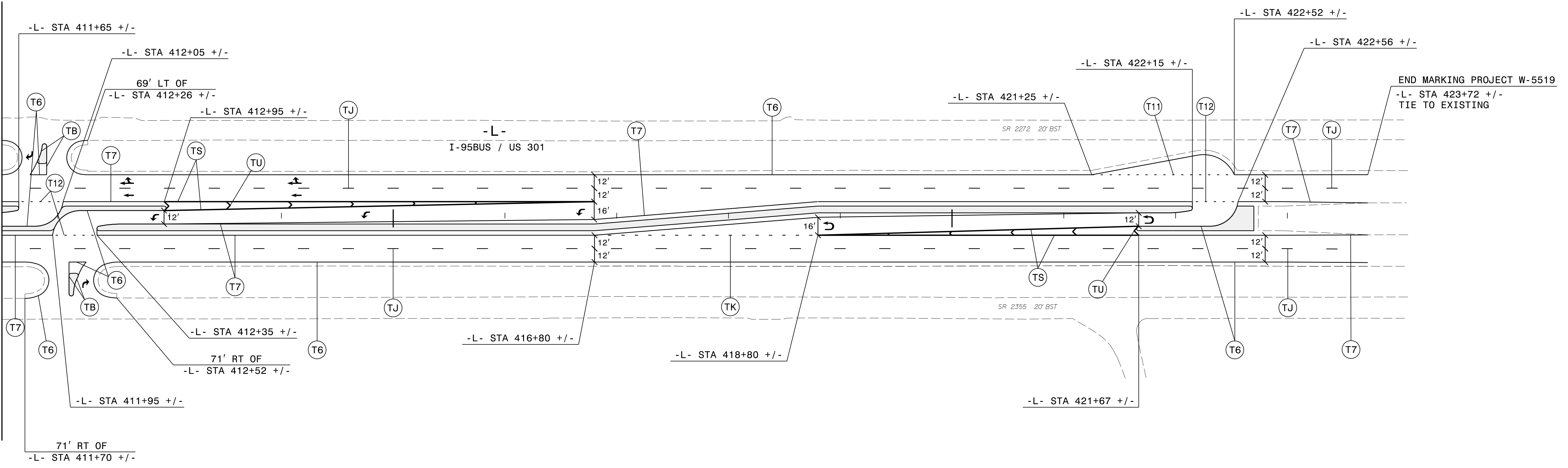
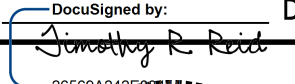


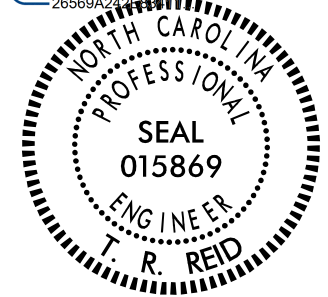
MATCHLINE -L- STA 411 + 50 SEE SHEET PMP-25



9/10/2015
P:\8457\Cadd\W5519\Traffic\Signing\CADD\W5519_pmp-26.dgn
THUFMAN



APPROVED:  DATE: 9/10/2015

SEAL: 

FINAL PAVEMENT MARKING PLANS