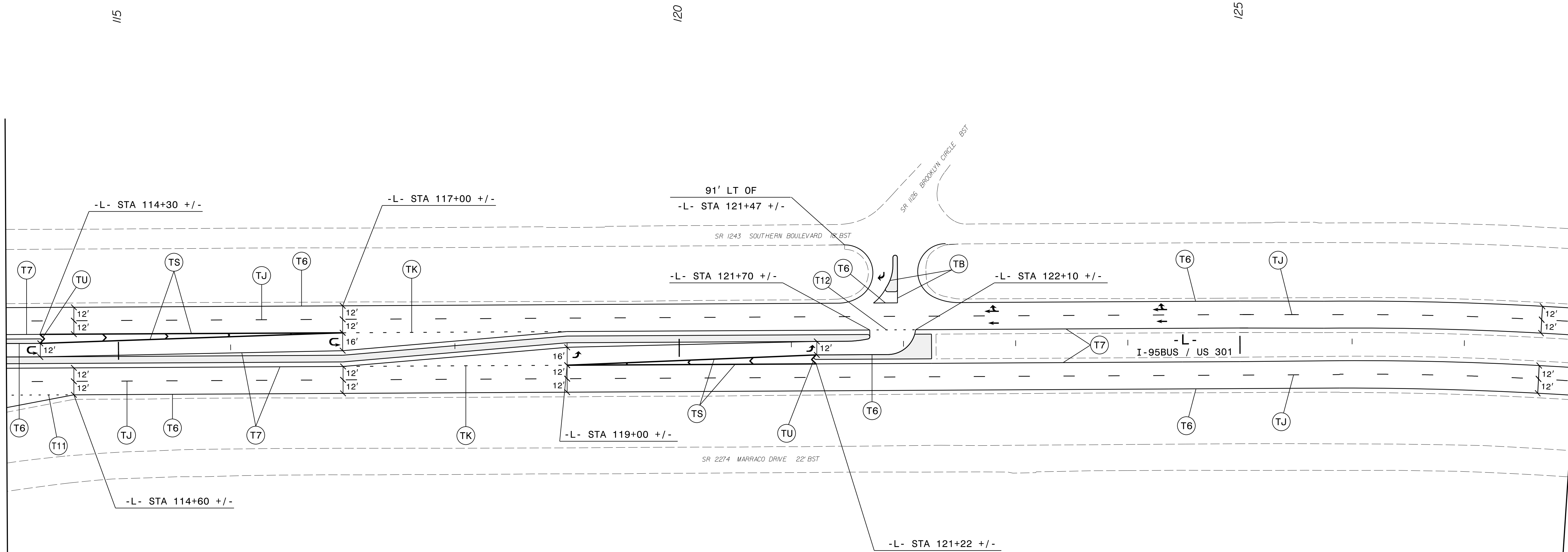



MATCHLINE -L- STA 114 + 00 SEE SHEET PMP-3

MATCHLINE -L- STA 128 + 00 SEE SHEET PMP-5

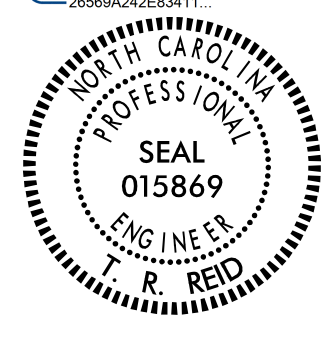


9/10/2015
 P:\8467\cadd\W5519\Traffic\Signing\CADD\W5519_pmp-4.dgn
 thufman



APPROVED:  DATE: 9/10/2015

SEAL



FINAL PAVEMENT
MARKING PLANS