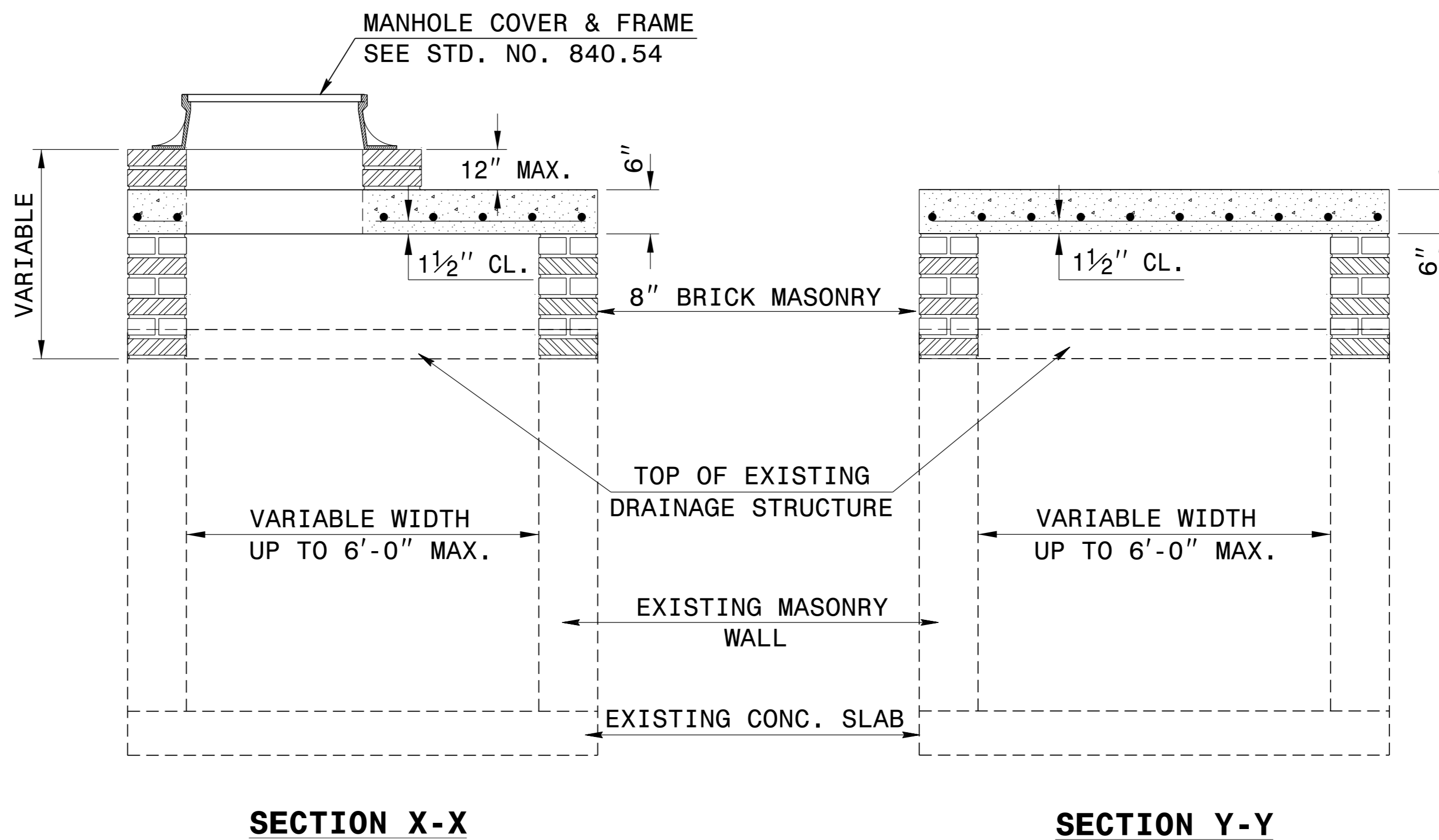
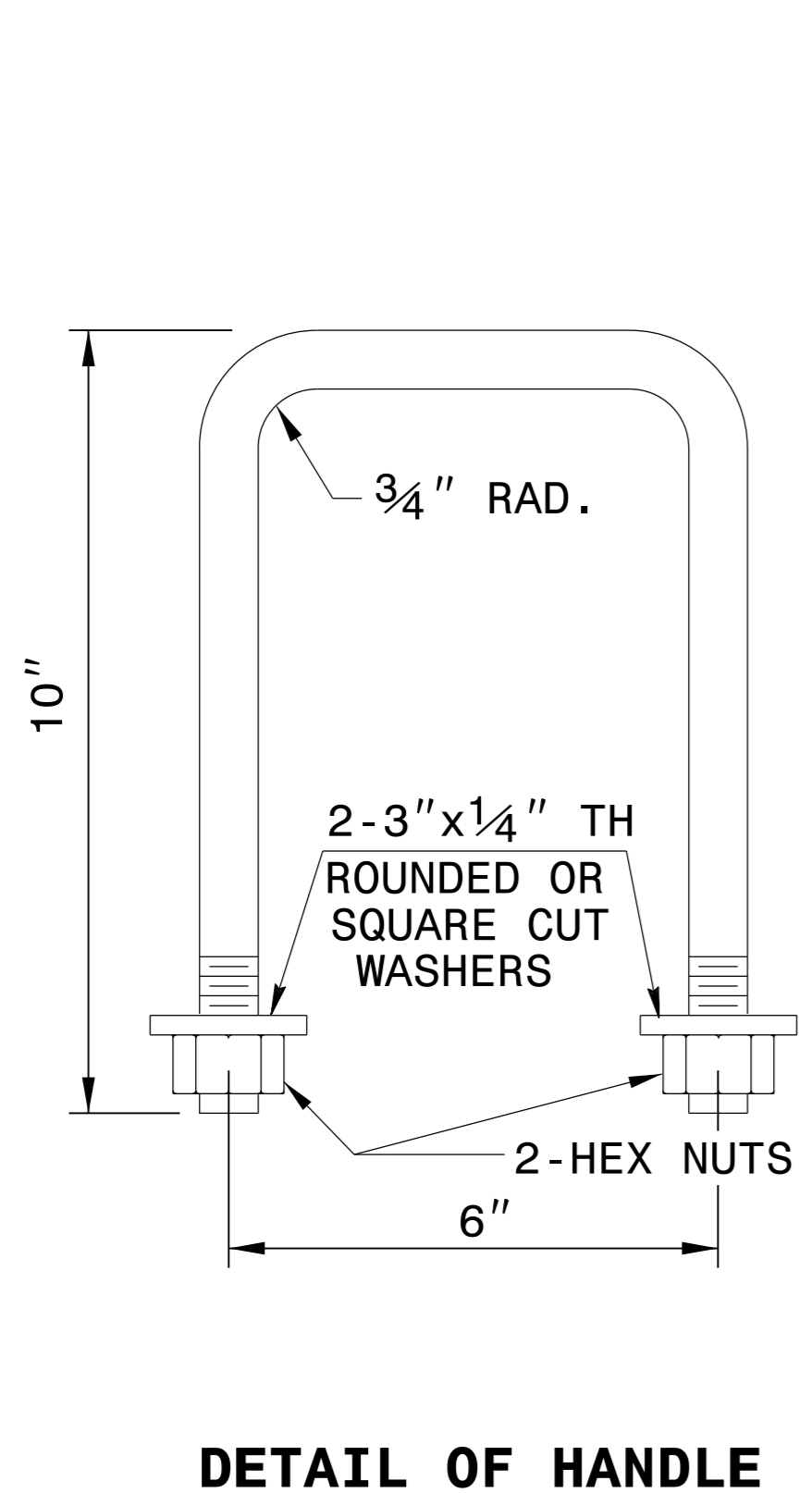


**GENERAL NOTES:**

CONSTRUCT IN ACCORDANCE WITH SECTION 859 OF THE STANDARD SPECIFICATIONS.

THE DIMENSIONS FOR THE EXISTING BOXES ARE APPROXIMATE AND MAY VARY SLIGHTLY.

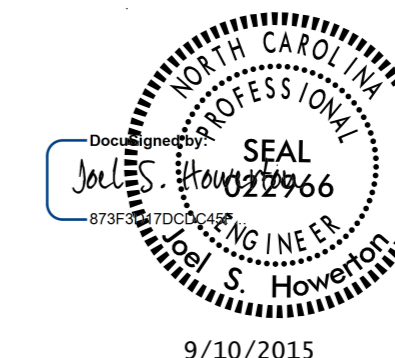
DETAIL INTENDED FOR NON-TRAFFIC BEARING DRAINAGE STRUCTURES.



<b>BILL OF MATERIALS</b>				
REINFORCING STEEL				
CODE	SIZE	QTY.	LENGTH	REINF. STEEL LBS.
A	#4	20	4'-6"	60.12
B	#4	8	1'-1"	5.79
<b>TOTAL</b>				<b>65.91 *</b>
MASONRY				CU YDS
TOP SLAB CONCRETE CLASS "B"				.4326 *
BRICK MASONRY PER FT HT (MIN)				.4111

**\* NOTE:**  
QUANTITIES BASED ON 3'-6" X 3'-6" DRAINAGE STRUCTURE. ADJUST QUANTITIES FOR LARGER STRUCTURES AND MANHOLE CONSTRUCTION.

DOCUMENT NOT CONSIDERED FINAL  
UNLESS ALL SIGNATURES COMPLETED



**CONTRACT STANDARDS AND DEVELOPMENT UNIT**  
Office 919-707-6950    FAX 919-250-4119

**DETAIL TO CONVERT EXISTING DI, CB, OTCB or GI TO JUNCTION BOX (MANHOLE OPTIONAL)**

ORIGINAL BY: T.S.S.    DATE: NOV. 1997  
 MODIFIED BY: T.S.S.    DATE: FEB. 2000  
 CHECKED BY:    DATE:     
 FILE SPEC.: ds174:/usr/details/stand/boxtojbe.dgn