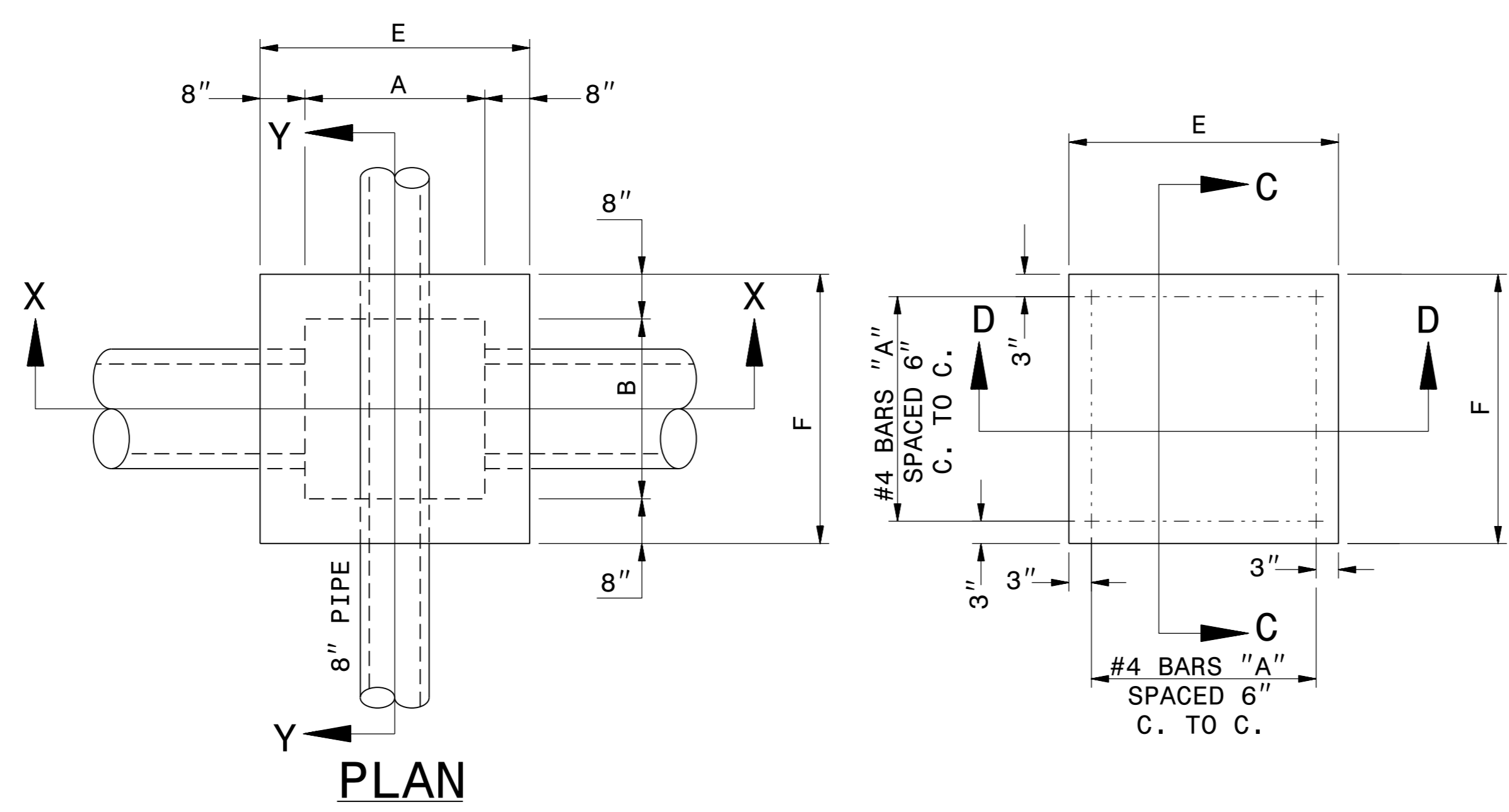


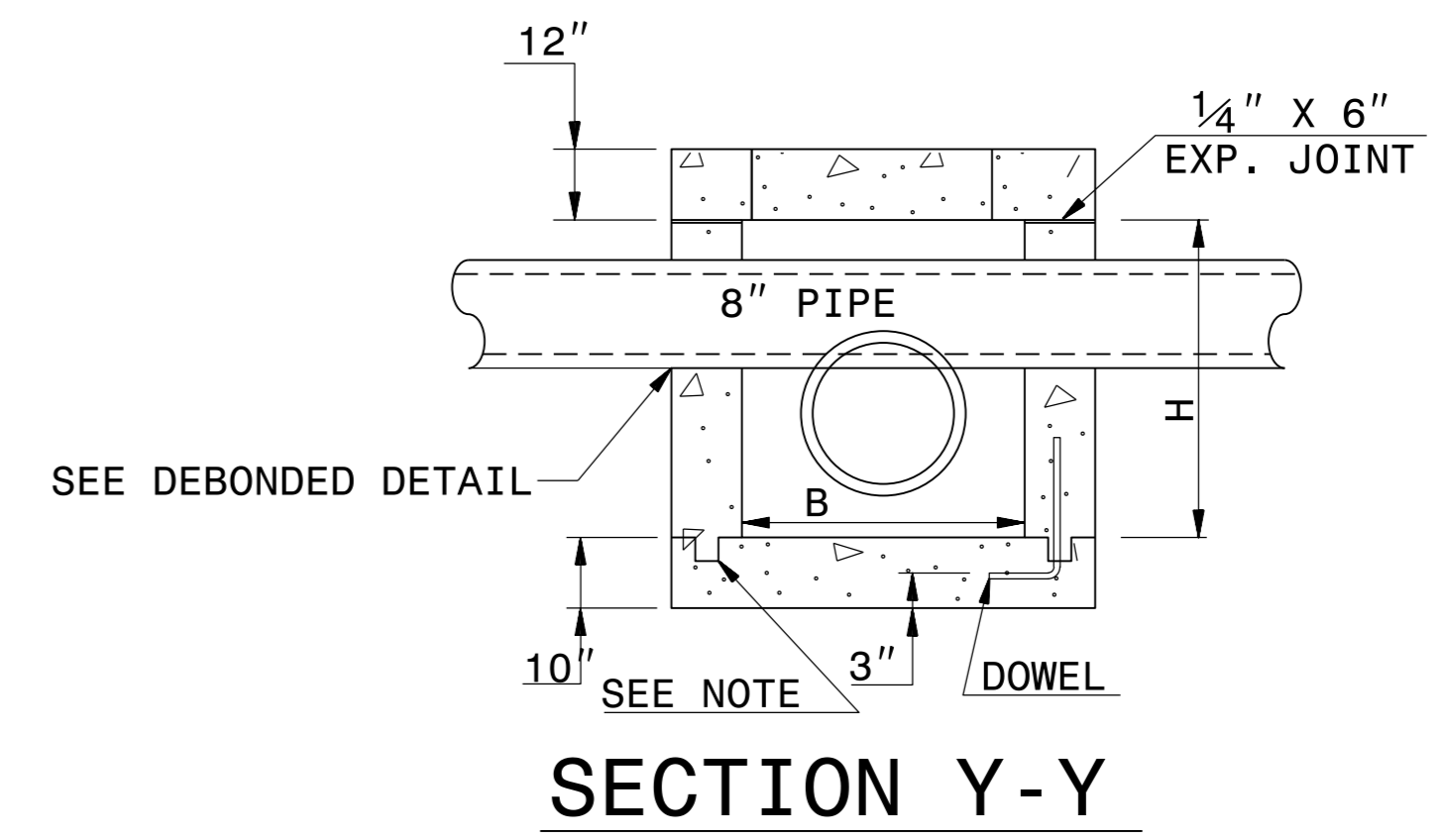
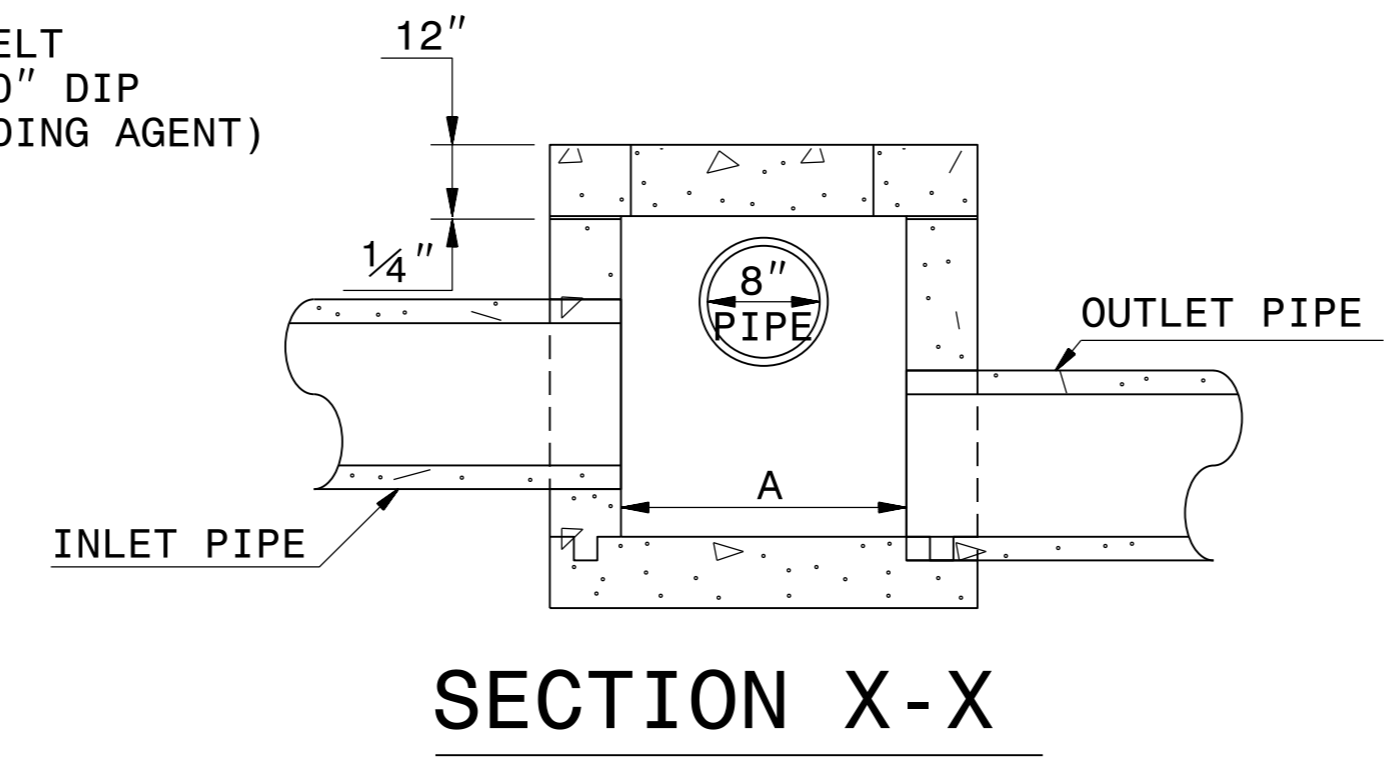
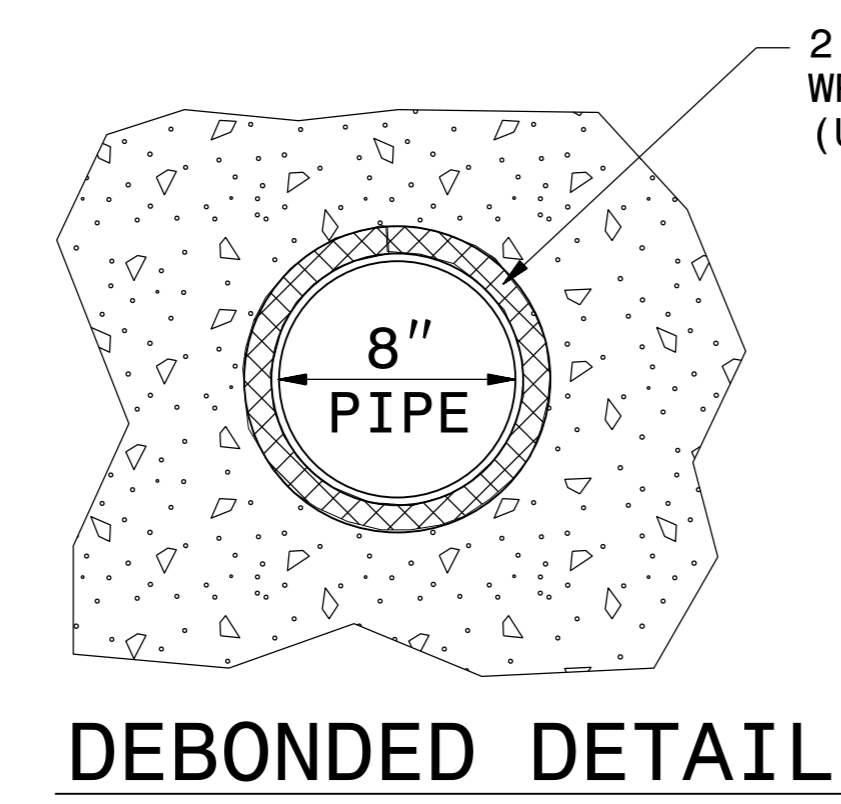
STATE OF NORTH CAROLINA  
DEPT. OF TRANSPORTATION  
DIVISION OF HIGHWAYS  
RALEIGH, N.C.

ENGLISH DETAIL DRAWING FOR  
**CONCRETE JUNCTION BOX WITH  
8" PIPE PASSING THRU  
12" THRU 66" PIPE**

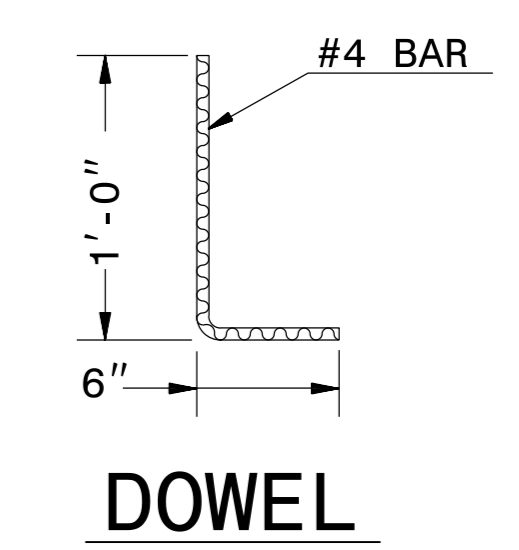
SHEET 1 OF 1  
**840D31**



GENERAL NOTES:  
USE CLASS "B" CONCRETE THROUGHOUT.  
OPTIONAL CONSTRUCTION - MONOLITHIC POUR, 2" KEYWAY, OR #4 BAR DOWELS AT 12" CENTERS AS DIRECTED BY THE ENGINEER.  
USE FORMS TO CONSTRUCT THE BOTTOM SLAB.  
IF REINFORCED CONCRETE PIPE IS SET IN BASE SLAB OF BOX, ADD TO BASE AS SHOWN ON STANDARD NO. 840.00.  
REFER TO R.S.D.N. 840.31 FOR PLACEMENT OF MANHOLE COVER IN JUNCTION BOX.



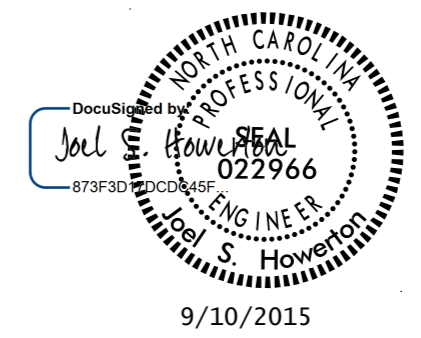
DIMENSIONS AND QUANTITIES FOR CONCRETE JUNCTION BOXES															
DIMENSIONS OF BOX AND PIPE				REINFORCEMENT BARS "A"		COVER DIMENSIONS		CUBIC YARDS IN BOX			TOTAL QUANTITIES BOX AND COVER		DEDUCTIONS FOR ONE PIPE CU.YDS.		
PIPE	SPAN	WIDTH	HEIGHT	NO.	LENGTH	E	F	COVER	FLOOR	WALL/ FT. OF HT.	LBS. REINF	CU. YDS. MIN. "H"	C.S.	R.C.	
12"	2'-0"	2'-0"	2'-3"	12	3'-0"	3'-4"	3'-4"	0.411	0.343	0.247	24	1.310	0.015	0.024	
15"	2'-3"	2'-3"	2'-6"	12	3'-3"	3'-7"	3'-7"	0.476	0.397	0.271	26	1.551	0.023	0.036	
18"	2'-6"	2'-6"	2'-9"	14	3'-6"	3'-10"	3'-10"	0.544	0.456	0.296	32	1.814	0.033	0.049	
24"	3'-0"	3'-0"	3'-3"	16	4'-0"	4'-4"	4'-4"	0.695	0.579	0.345	42	2.395	0.059	0.091	
30"	3'-6"	3'-6"	3'-9"	18	4'-6"	4'-10"	4'-10"	0.865	0.721	0.395	54	3.067	0.092	0.138	
36"	4'-0"	4'-0"	4'-3"	20	5'-0"	5'-4"	5'-4"	1.053	0.878	0.444	67	3.818	0.132	0.196	
42"	4'-6"	4'-6"	4'-9"	22	5'-6"	5'-10"	5'-10"	1.260	1.050	0.493	80	4.652	0.180	0.284	
48"	5'-0"	5'-0"	5'-3"	24	6'-0"	6'-4"	6'-4"	1.485	1.238	0.543	95	5.574	0.235	0.364	
54"	5'-6"	5'-6"	5'-9"	26	6'-6"	6'-10"	6'-10"	1.729	1.441	0.592	112	6.574	0.297	0.440	
60"	6'-0"	6'-0"	6'-3"	28	7'-0"	7'-4"	7'-4"	1.991	1.660	0.641	130	7.657	0.367	0.546	
66"	6'-6"	6'-6"	6'-9"	30	7'-6"	7'-10"	7'-10"	2.273	1.894	0.690	150	8.825	0.444	0.655	



STATE OF NORTH CAROLINA  
DEPT. OF TRANSPORTATION  
DIVISION OF HIGHWAYS  
RALEIGH, N.C.

ENGLISH DETAIL DRAWING FOR  
**CONCRETE JUNCTION BOX WITH  
8" PIPE PASSING THRU  
12" THRU 66" PIPE**

SHEET 1 OF 1  
**840D31**



CONTRACT STANDARDS AND DEVELOPMENT UNIT  
Office 919-707-6950 FAX 919-250-4119

**SEE PLATE FOR TITLE**

ORIGINAL BY: E.E. WARD DATE: 3-12-98  
MODIFIED BY: DATE:  
CHECKED BY: DATE:  
FILE SPEC.:usr/details/stand/conflict\_box.dgn

DOCUMENT NOT CONSIDERED FINAL  
UNLESS ALL SIGNATURES COMPLETED

\$\$\$\$\$CUTME\$\$\$\$\$  
\$\$\$\$\$DATE\$\$\$\$\$  
\$\$\$\$\$TIME\$\$\$\$\$  
\$\$\$\$\$USER\$\$\$\$\$