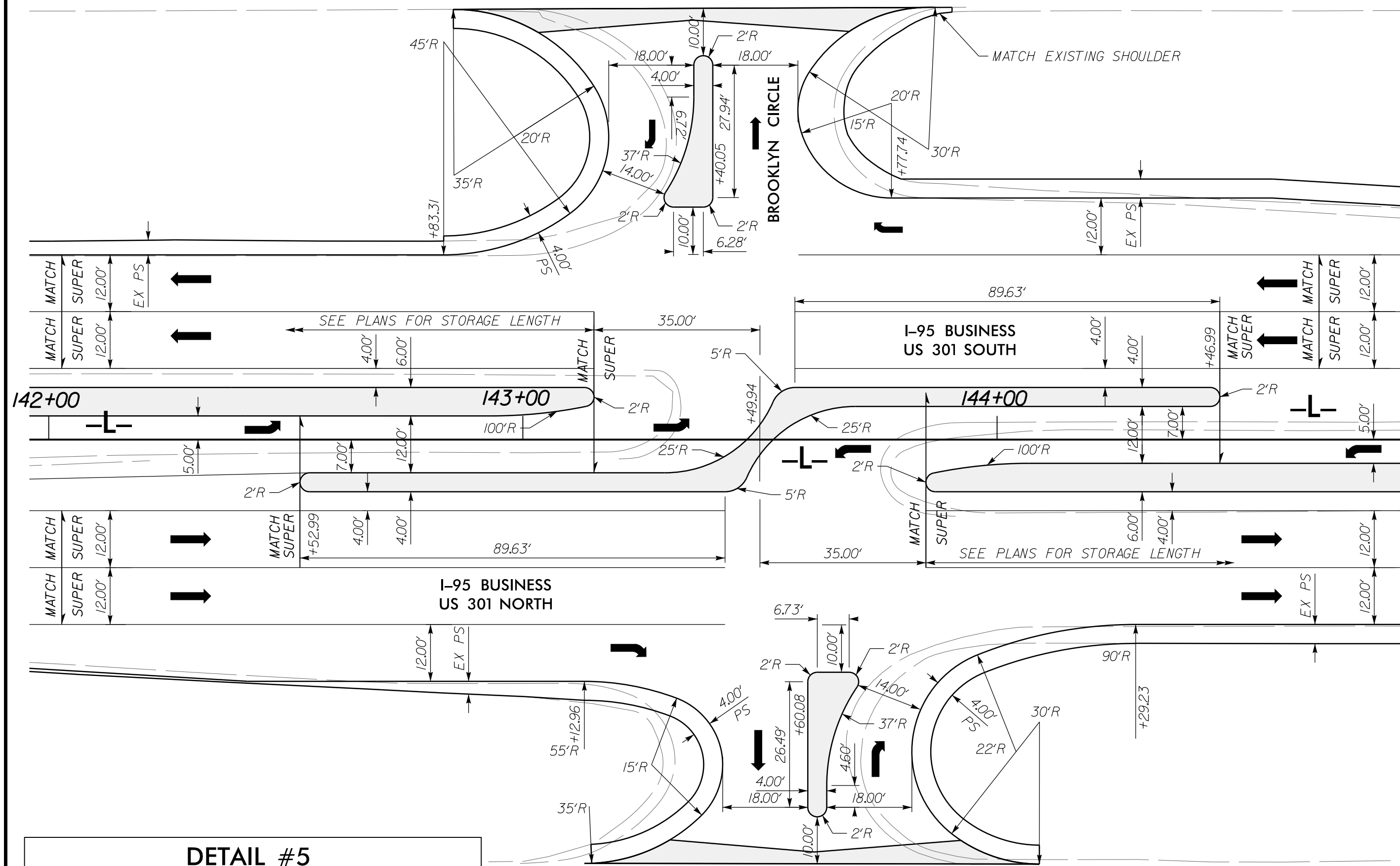
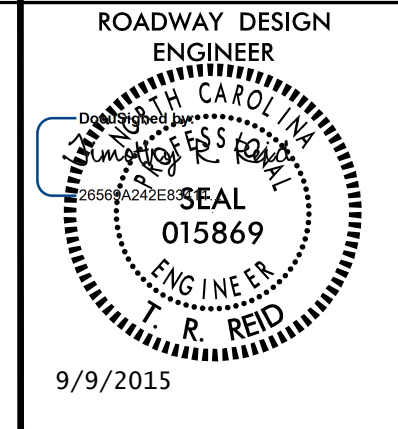


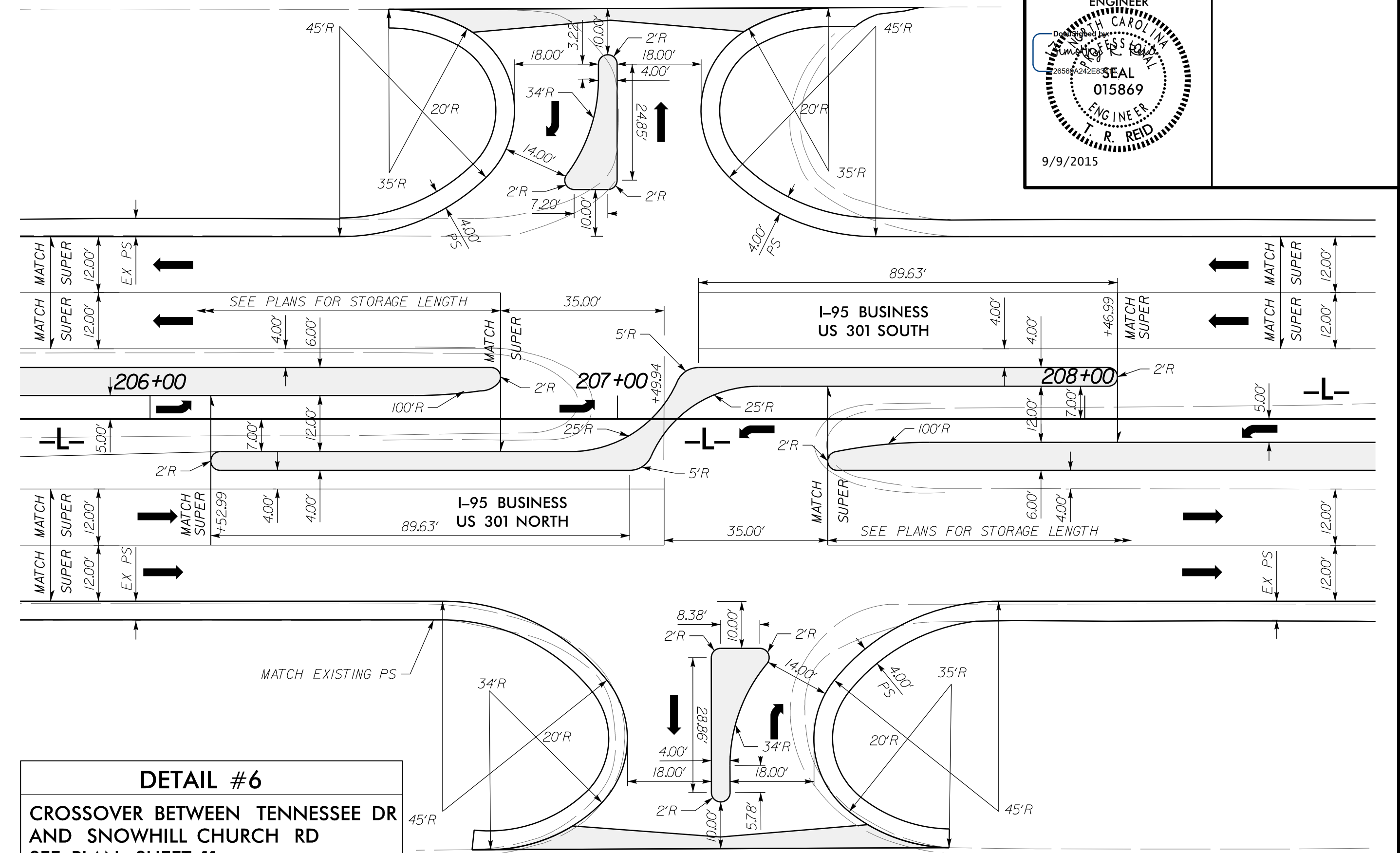


1616 EAST MILLBROOK ROAD, SUITE 160
WALTON, NORTH CAROLINA 27669
19191 781-4626 VOICE 19191 781-4869 FAX

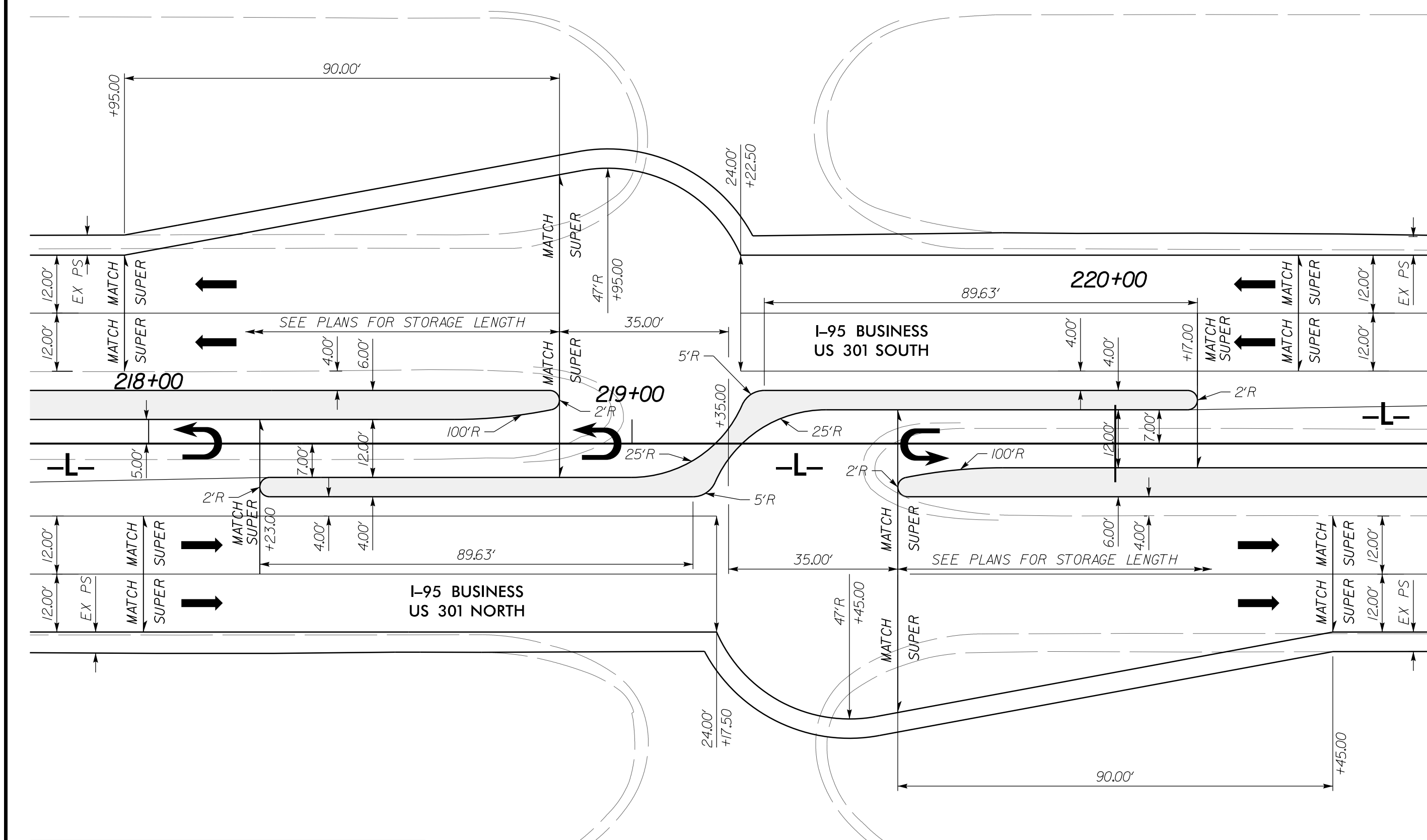
PROJECT REFERENCE NO.	SHEET NO.
W-5519	2B-2
RW SHEET NO.	



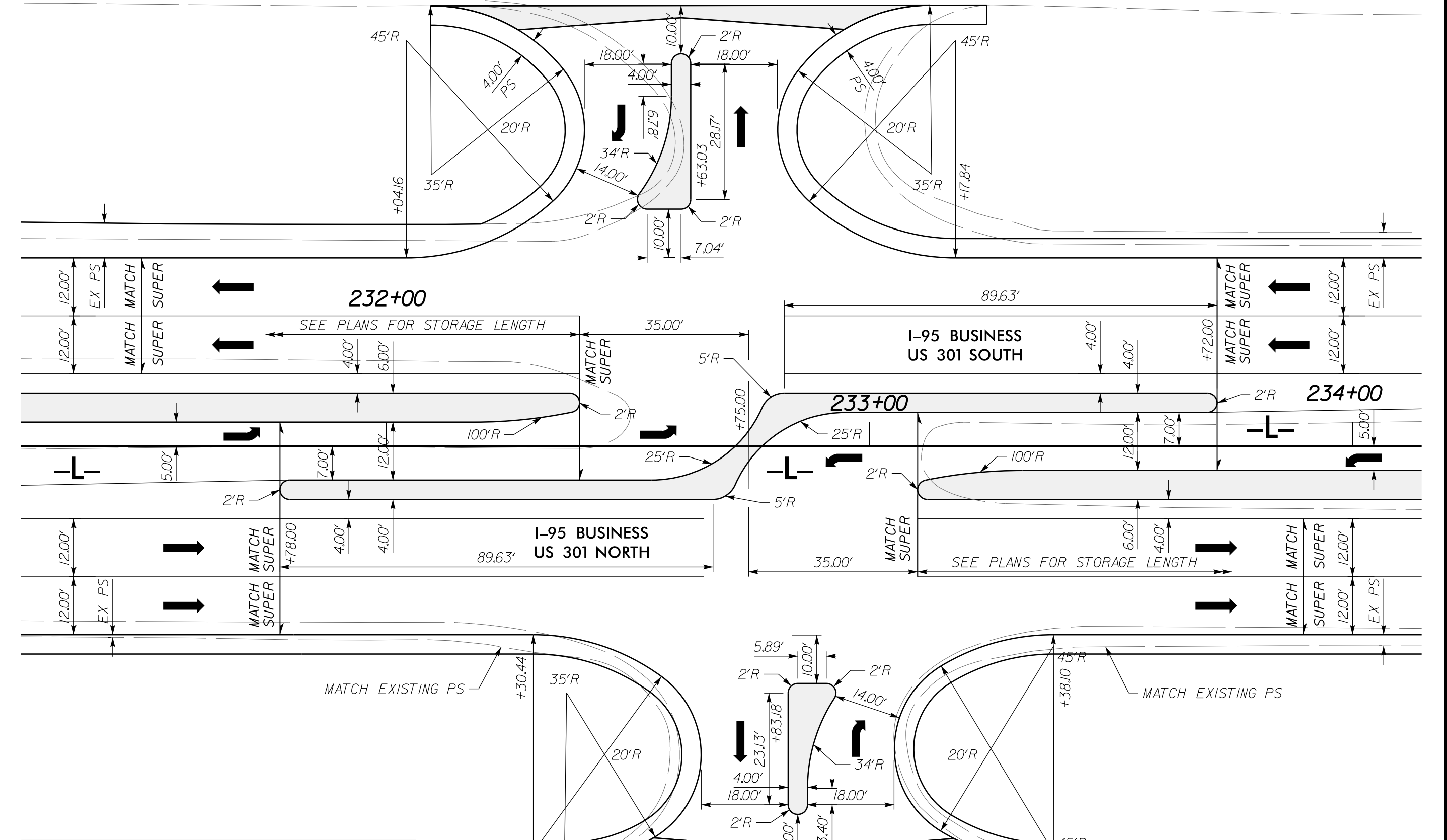
DETAIL #5
CROSSOVER NORTH OF BROOKLYN CRICLE
NORTH SEE PLAN SHEET 7



DETAIL #6
CROSSOVER BETWEEN TENNESSEE DR
AND SNOWHILL CHURCH RD
SEE PLAN SHEET 11



DETAIL #7
U-TURNS NORTH OF SNOWHILL
CHURCH RD SEE PLAN SHEET 12



DETAIL #8
CROSSOVER AT SNOW HILL ROAD
SEE PLAN SHEET 13