
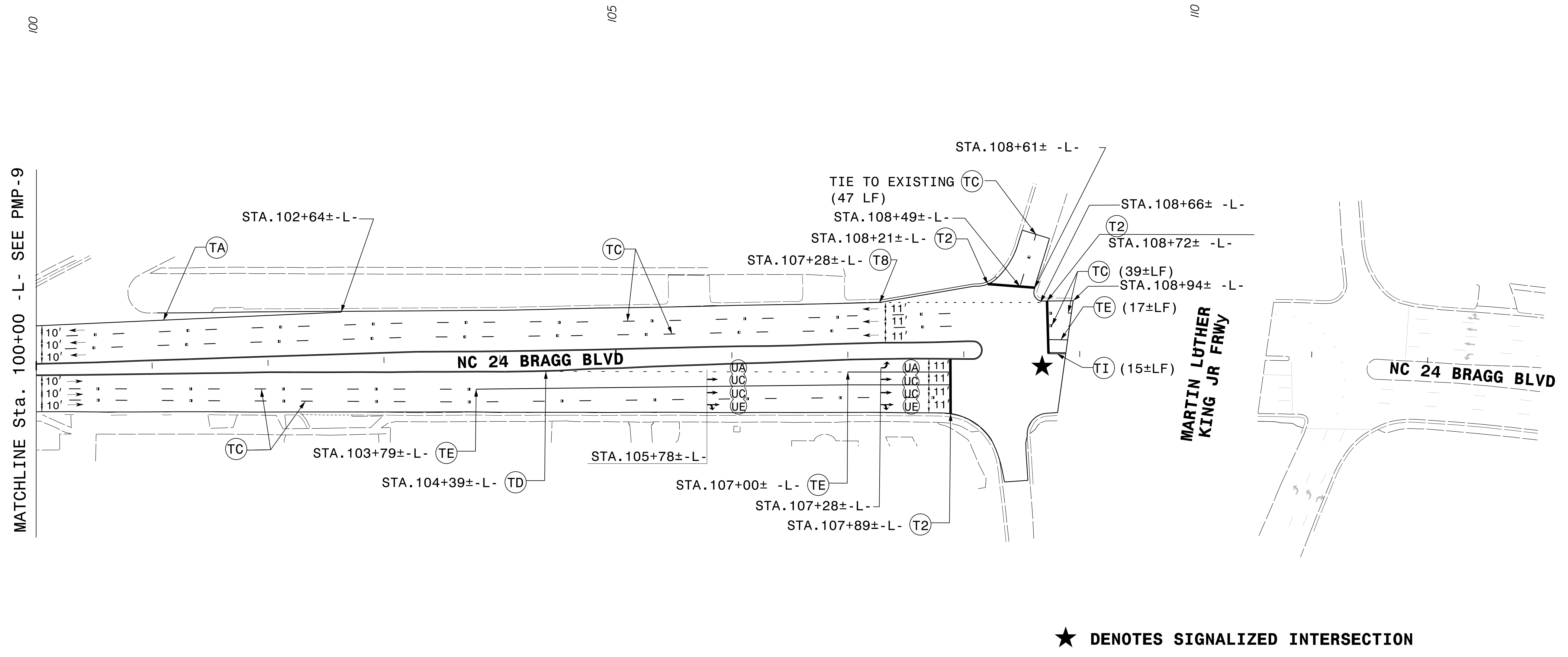
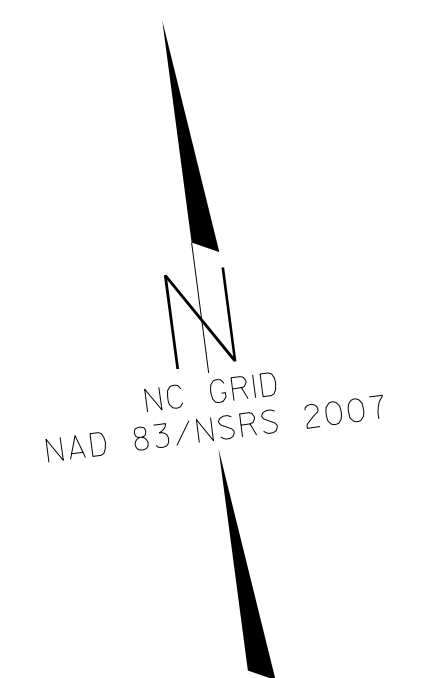


PROJECT REFERENCE NO. W-5206AM	SHEET NO. PMP-10
APPROVED: <i>Steve Miller</i> <small>DocuSigned by: Steve Miller 9F8C8C15CE8486</small>	
DATE: 9/25/2015	
SEAL 	



★ DENOTES SIGNALIZED INTERSECTION

PAVEMENT MARKING DETAIL

SYSTEMS DESIGN CONSULTANTS