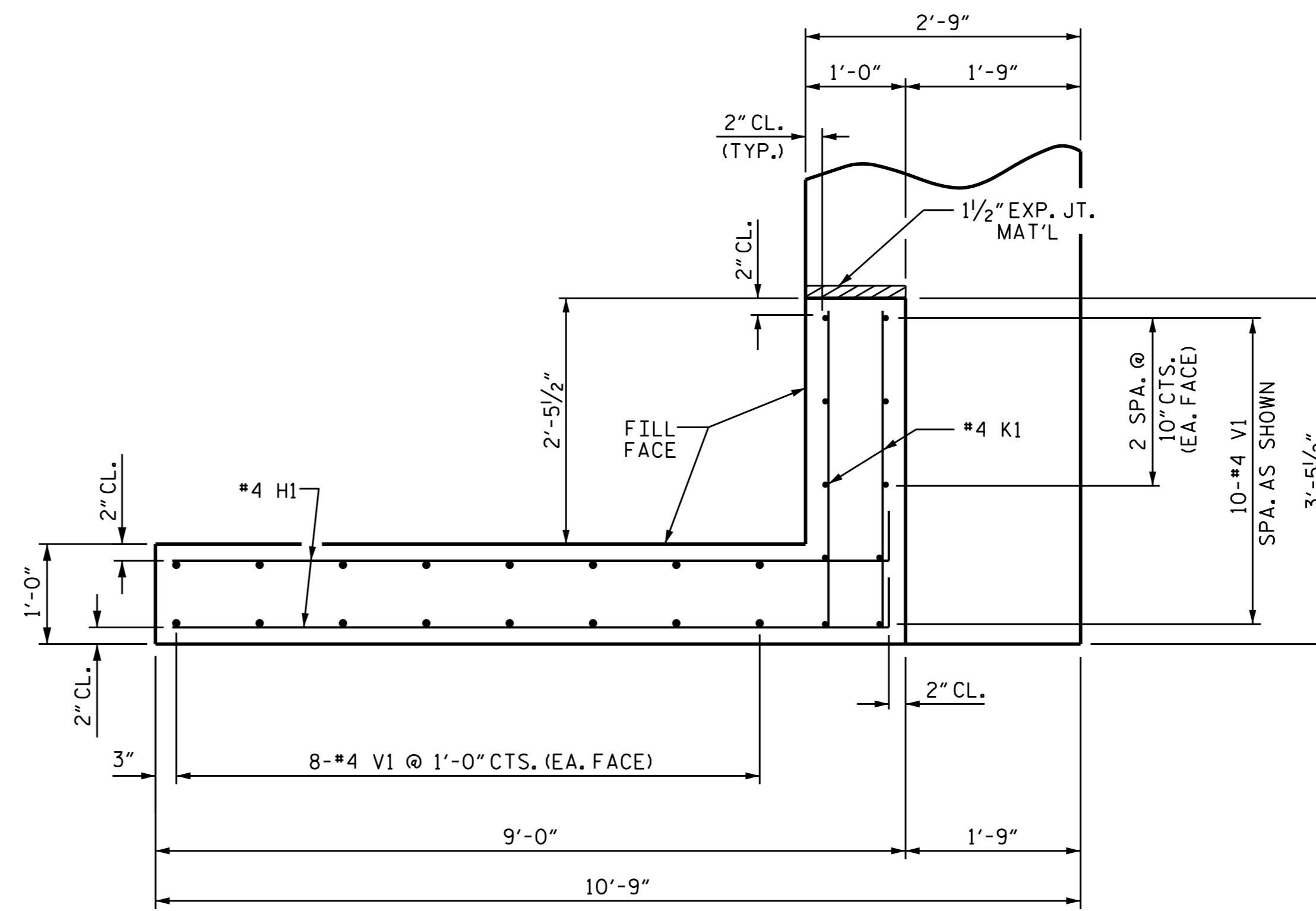
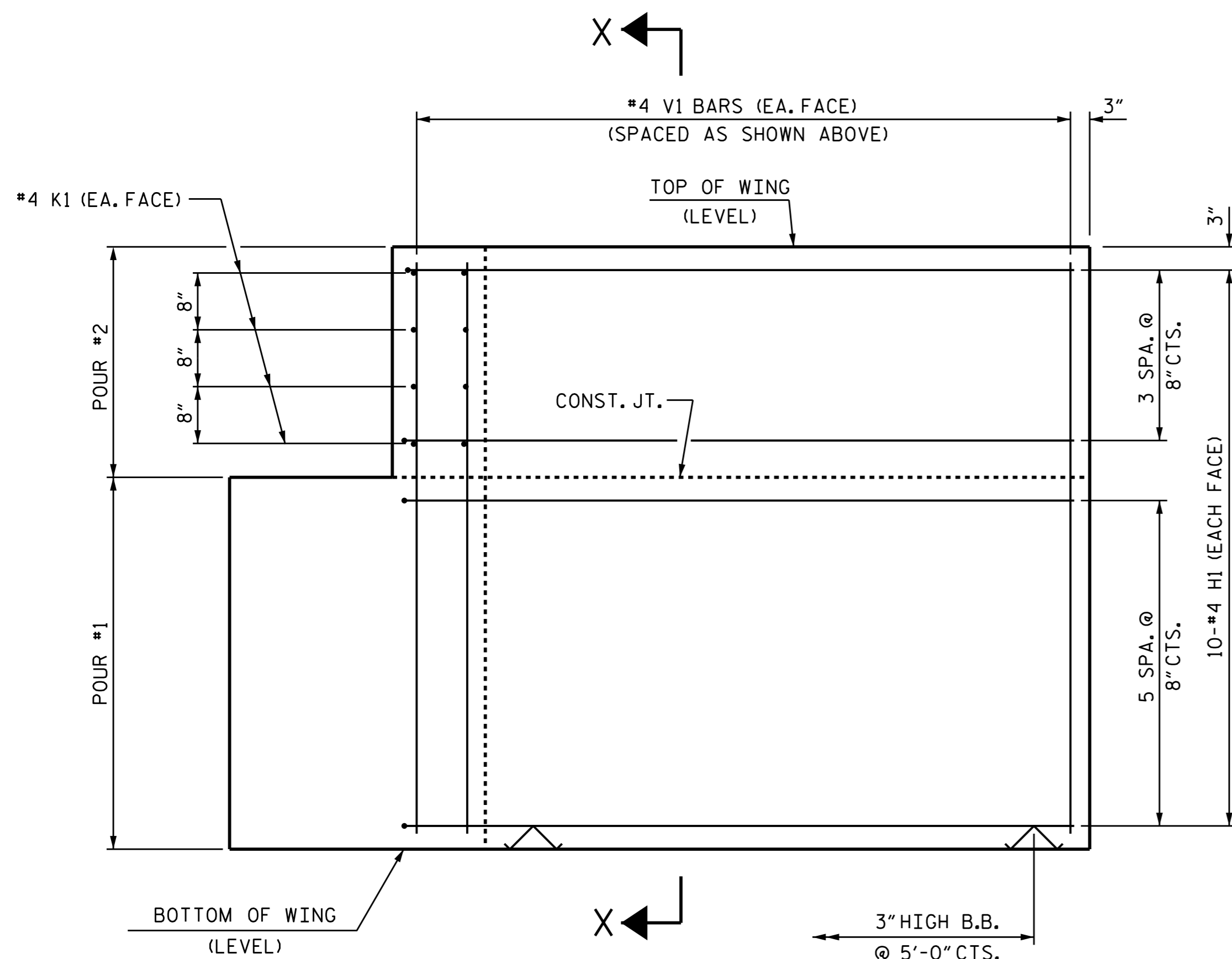


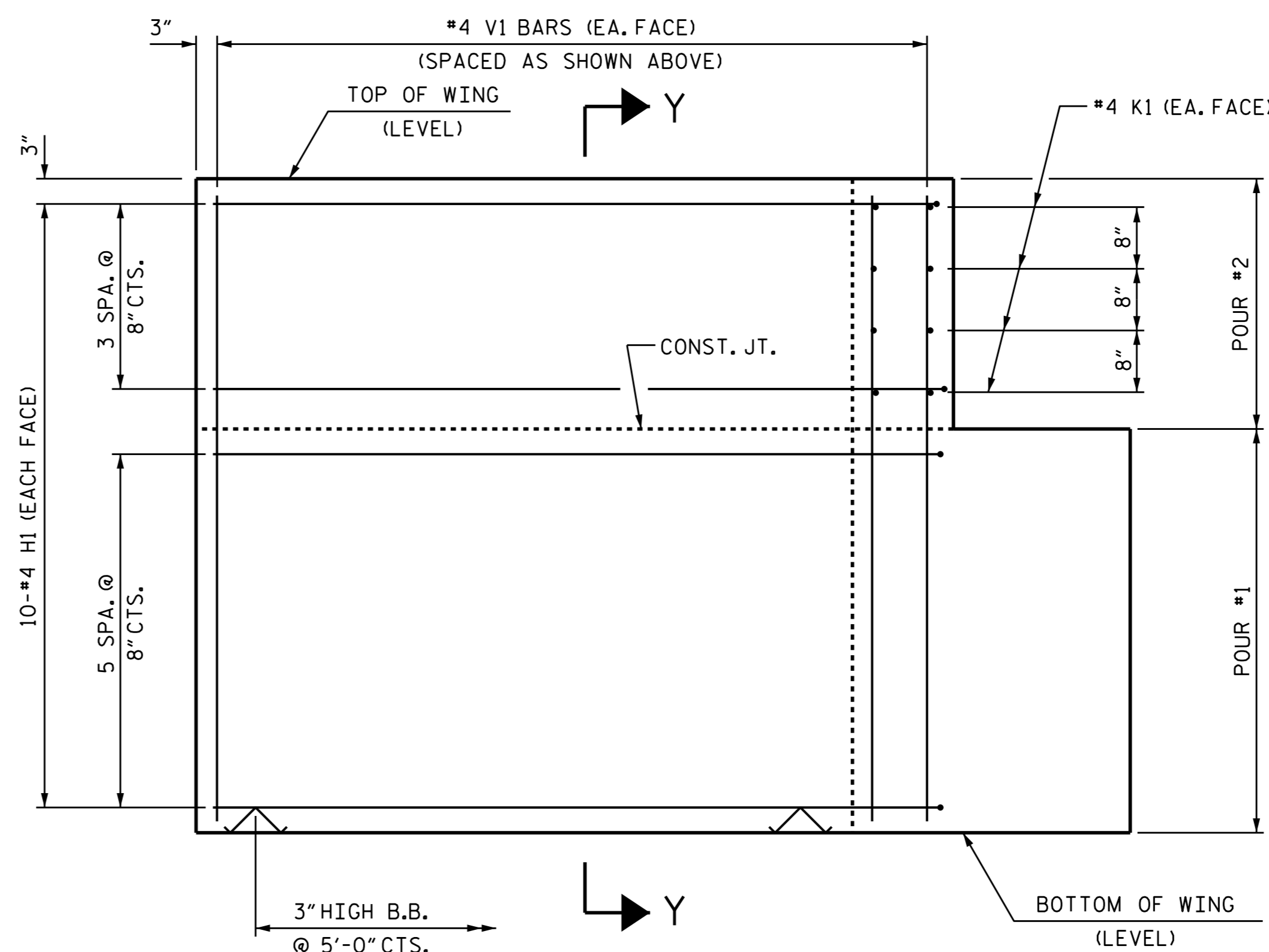
PLAN OF WING (W1)



PLAN OF WING (W2)

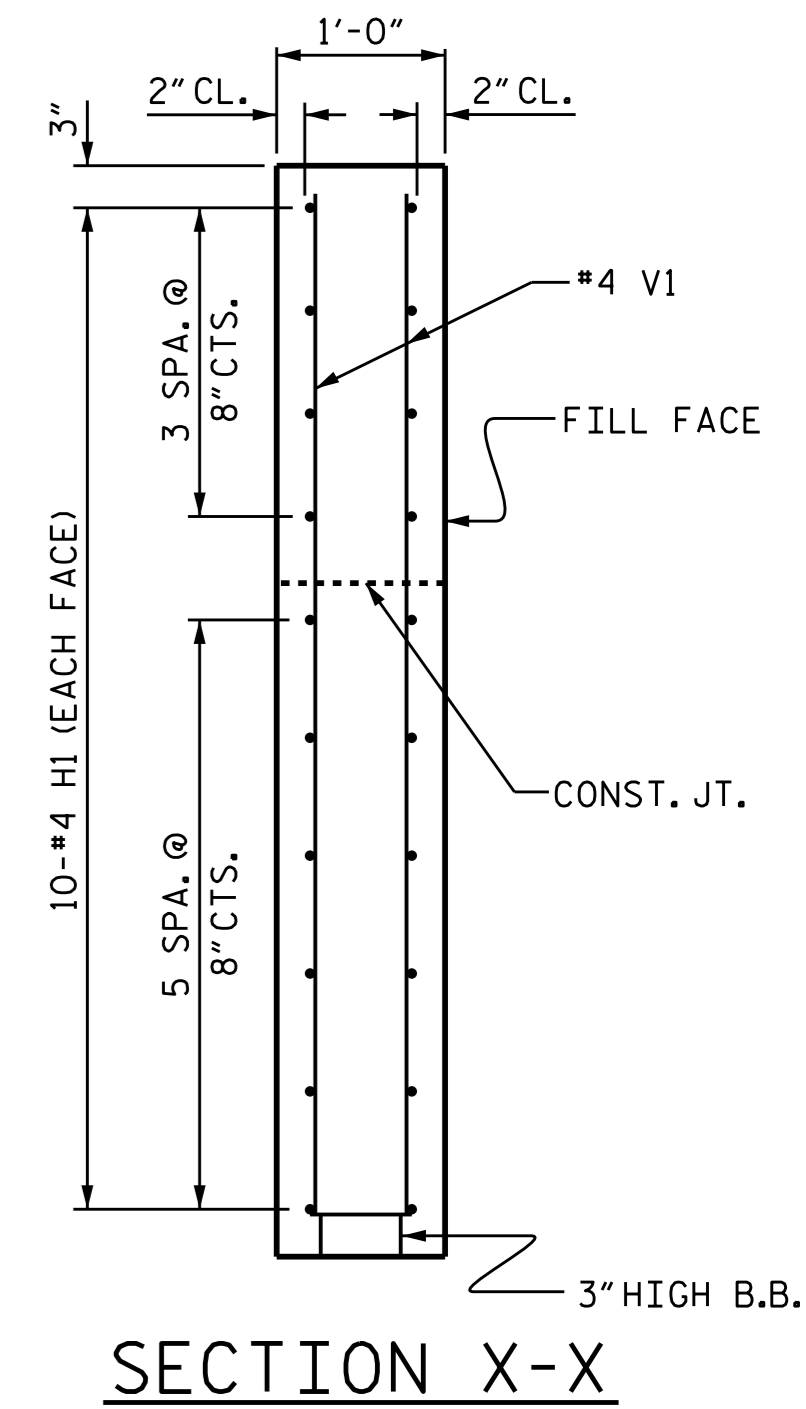


ELEVATION OF WING (W1)

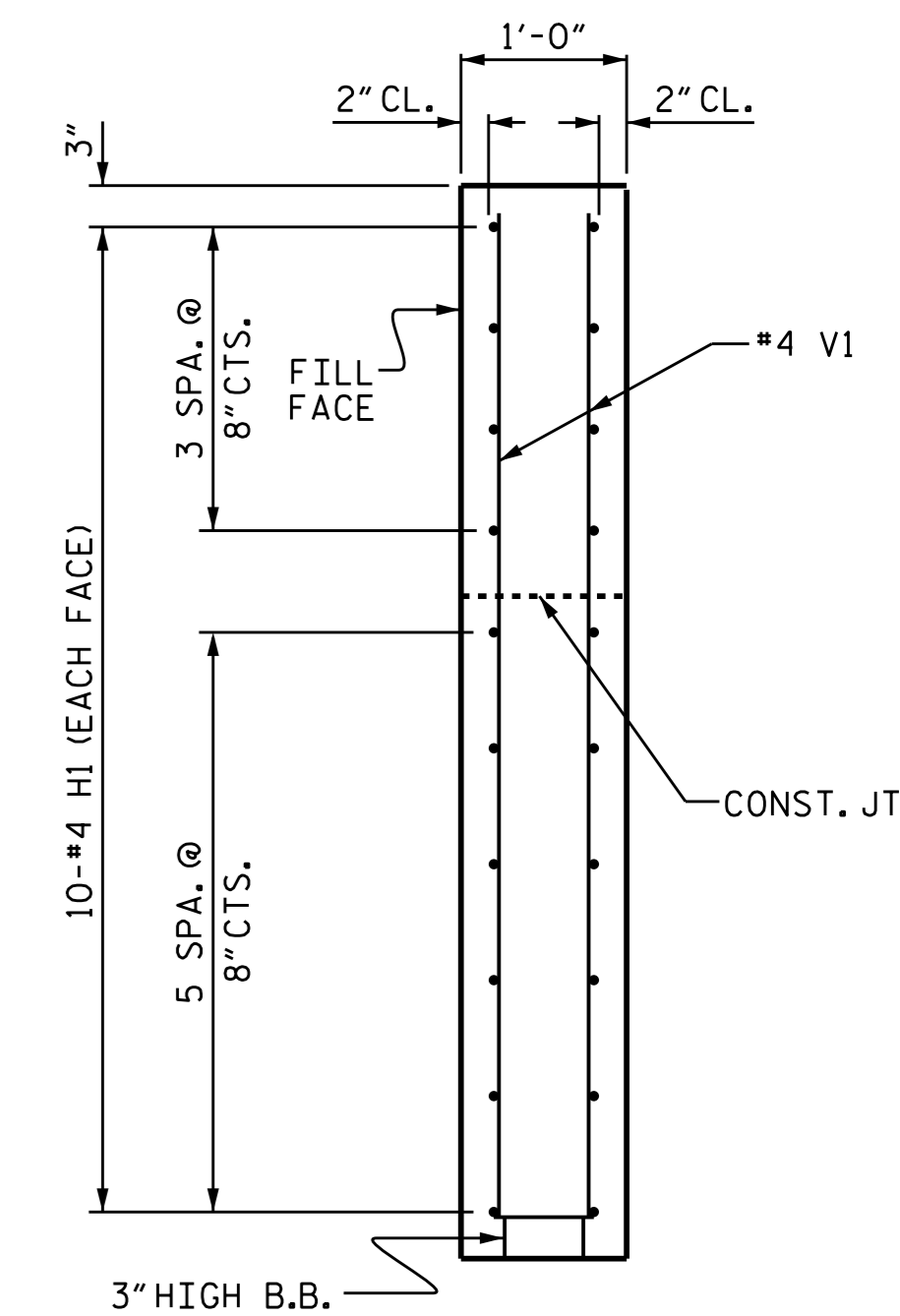


ELEVATION OF WING (W2)

WING DETAILS



SECTION X-X



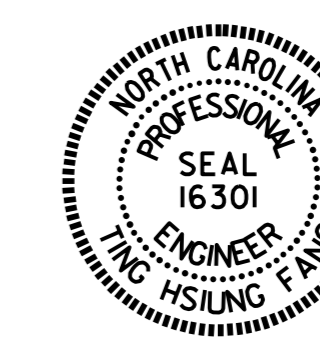
SECTION Y-Y

PROJECT NO. B-5342
 ALAMANCE COUNTY
 STATION: 14+38.00 -L-

SHEET 3 OF 4

STATE OF NORTH CAROLINA
 DEPARTMENT OF TRANSPORTATION
 RALEIGH

SUBSTRUCTURE
 END BENT
 WING DETAILS



Designed by: *Ting H. Fang* 9/15/2015
 E7200400017435

REVISIONS						SHEET NO.	
NO.	BY:	DATE:	NO.	BY:	DATE:	S-15	
1			3			TOTAL SHEETS	
2			4			18	

ASSEMBLED BY : Z. J. O'KEEFE DATE : 7/2014
 CHECKED BY : P. K. NEWTON DATE : 6/24/15
 DRAWN BY : WJH 12/11
 CHECKED BY : AAC 12/11