

- 1 INSTALL REA, PE – 22, SHIELDED, TWISTED PAIR COMMUNICATIONS CABLE
- 2 INSTALL REA, PE – 38, (FIGURE – 8) SHIELDED, TWISTED PAIR COMMUNICATIONS CABLE
- 3 INSTALL CATEGORY 5E CABLE
- 4 INSTALL SMFO CABLE
- 5 INSTALL COAXIAL ANTENNA CABLE
- 6 INSTALL FIBER-OPTIC DROP CABLE
- 7 INSTALL TRACER WIRE
- 8 TRENCH
- 9 INSTALL PVC CONDUIT
- 10 INSTALL RIGID, GALVANIZED STEEL CONDUIT
- 11 INSTALL RIGID, GALVANIZED STEEL RISER WITH WEATHERHEAD
- 12 INSTALL RIGID, GALVANIZED STEEL RISER WITH HEAT SHRINK TUBING
- 13 INSTALL HEAT SHRINK TUBING RETROFIT KIT
- 14 INSTALL HIGH DENSITY POLYETHYLENE CONDUIT
- 15 DIRECTIONAL DRILL CONDUIT
- 16 BORE AND JACK CONDUIT
- 17 INSTALL CABLE(S) IN EXISTING CONDUIT
- 18 INSTALL CABLE(S) IN NEW CONDUIT
- 19 INSTALL CABLE(S) IN EXISTING RISER
- 20 INSTALL CABLE(S) IN NEW RISER(S)
- 21 INSTALL CABLE(S) IN EXISTING CONDUIT STUBOUTS
- 22 INSTALL NEW CONDUIT INTO CABINET BASE (USE EX CONDUIT STUB-OUTS WHEN AVAILABLE)
- 23 INSTALL NEW RISER INTO CABINET BASE (USE EX CONDUIT STUB-OUTS WHEN AVAILABLE)
- 24 INSTALL NEW CONDUIT INTO POLE MOUNTED CABINET
- 25 INSTALL NEW RISER INTO POLE MOUNTED CABINET
- 26 INSTALL DIGITAL VIDEO ENCODER
- 27 INSTALL NEW ETHERNET EDGE SWITCH IN CABINET
- 28 INSTALL INTERCONNECT CENTER, PATCH PANEL, JUMPERS, AND FUSION SPlice CABLE IN CABINET
- 29 INSTALL UNDERGROUND SPlice ENCLOSURE
- 30 INSTALL AERIAL SPlice ENCLOSURE
- 31 INSTALL SPlice CABINET
- 32 MODIFY EXISTING SPlice ENCLOSURE OR INTERCONNECT CENTER
- 33 REMOVE EXISTING SPlice /HUB/CCTV CABINET
- 34 INSTALL CABINET FOUNDATION
- 35 REMOVE EXISTING CABINET FOUNDATION

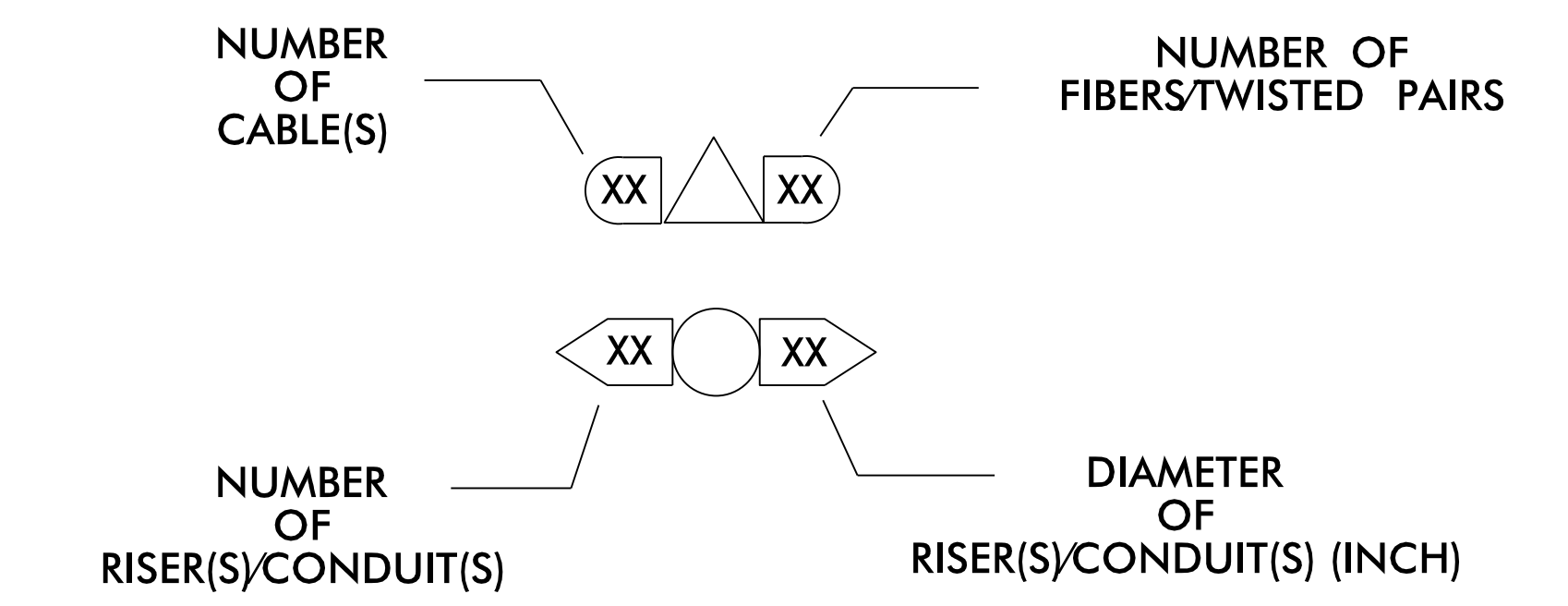
- 36 INSTALL CCTV CAMERA ASSEMBLY
- 37 INSTALL CCTV WOOD POLE
- 38 INSTALL STANDARD SIZE JUNCTION BOX
- 39 INSTALL SPECIAL-SIZED JUNCTION BOX
- 40 INSTALL OVERSIZED JUNCTION BOX
- 41 REMOVE EXISTING JUNCTION BOX
- 42 INSTALL WOOD POLE
- 43 REMOVE EXISTING WOOD POLE
- 44 INSTALL AERIAL GUY ASSEMBLY
- 45 INSTALL STANDARD GUY ASSEMBLY
- 46 INSTALL SIDEWALK GUY ASSEMBLY
- 47 INSTALL MESSENGER CABLE
- 48 REMOVE EXISTING COMMUNICATIONS CABLE AND MESSENGER CABLE
- 49 REMOVE EXISTING COMMUNICATIONS CABLE
- 50 INSTALL WIRELESS DSL
- 51 INSTALL CABLE STORAGE GUIDE(S) [SNOW SHOE(S)] AND STORE 100 FEET OF EACH CABLE
- 52 INSTALL DELINEATOR MARKER
- 53 STORE 50 FEET OF COMMUNICATIONS CABLE (EACH CABLE)
- 54 LASH CABLE(S) TO EXISTING SIGNAL/COMMUNICATIONS CABLE
- 55 LASH CABLE(S) TO EXISTING MESSENGER CABLE
- 56 LASH CABLE(S) TO NEW MESSENGER CABLE
- 57 MODIFY EXISTING ELECTRICAL SERVICE FOR CCTV
- 58 INSTALL NEW ELECTRICAL SERVICE FOR CCTV
- 59 INSTALL NEW POLE MOUNTED CCTV CABINET
- 60 INSTALL NEW BASE MOUNTED CCTV CABINET
- 61 INSTALL UNI-DIRECTIONAL ANTENNA
- 62 NOT USED
- 63 INSTALL 900 MHZ ETHERNET RADIO
- 64 INTERCEPT AND REROUTE EXISTING CONDUITS
- 65 BOND MESSENGER TO POLE GROUND
- 66 BOND RISER TO POLE GROUND
- 67 BOND TRACER WIRE TO POLE GROUND
- 68 BOND TRACER WIRE TO EQUIPMENT GROUND BUS
- 69 REMOVE EXISTING CCTV CAMERA ASSEMBLY
- 70 INSTALL RELOCATED WIRELESS SYSTEM

LEGEND

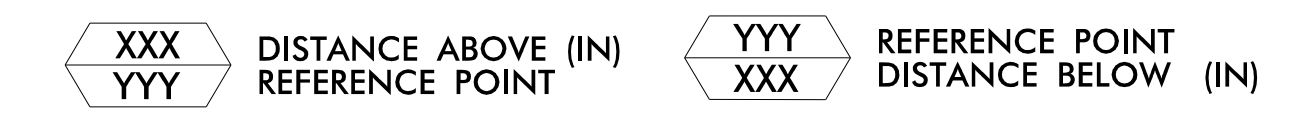
	NEW FIBER OPTIC COMMUNICATIONS CABLE	CL-A
	NEW TWISTED PAIR COMMUNICATIONS CABLE	
	EXISTING COMMUNICATIONS CABLE	
	EXISTING COMMUNICATIONS CABLE TO BE REMOVED	
	NEW AERIAL GUY ASSEMBLY	
	NEW CONDUIT	
	EXISTING CONDUIT	
	NEW DIRECTIONAL DRILLED CONDUIT	
	NEW BORED AND JACKED CONDUIT	
	NEW JUNCTION BOX	
	EXISTING JUNCTION BOX	
	NEW WOOD POLE	
	EXISTING WOOD POLE	
	NEW AERIAL SPlice ENCLOSURE	
	NEW METAL POLE	
	EXISTING METAL POLE	
	NEW CCTV CAMERA ASSEMBLY	
	NEW STANDARD GUY ASSEMBLY	
	NEW STANDARD GUY USING EXISTING ANCHOR	
	NEW SIDEWALK GUY ASSEMBLY	
	NEW CABLE STORAGE RACKS (SNOW SHOES)	
	EXISTING CONTROLLER AND CABINET	
	EXISTING SPlice CABINET	
	NEW SPlice CABINET	
	SIGNAL POLE	
	SIGNAL INVENTORY NUMBER	

CONSTRUCTION NOTE SYMBOLOGY KEY

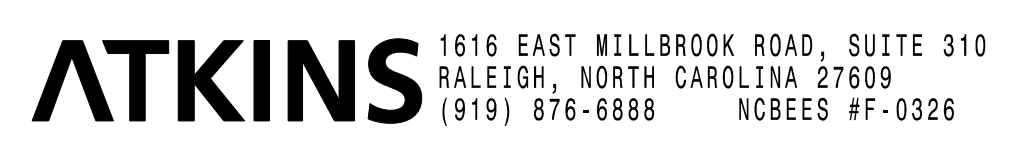
- INDICATES NUMBER OF CABLES, LOOPS, ETC.
- INDICATES NUMBER OF FIBERS PER CABLE, TWISTED PAIRS PER CABLE, ETC.
- INDICATES NUMBER OF RISER(S)/CONDUIT(S)
- INDICATES DIAMETER OF RISER(S)/CONDUIT(S) (INCH)



ATTACHMENT POINT:



15-Jul-2015 08:46 D:\atkins\corporate\cnc\proj\off\c\curr\100036295_U3338B_Kerr_Sig_ITS\CR\U3338B_CL_NOTES.dgn WILE2054 AT_DUS290140



 Prepared for the Offices of: North Carolina Department of Transportation 750 Greenfield Parkway, Garner, NC 27529	ITS Construction Notes		SEAL MELISSA B. TOTH ENGINEER
	Division 03 New Hanover County Wilmington		
PLAN DATE: June 2014	REVIEWED BY: LM Moon	PREPARED BY: AM Thigpen	
REVISIONS	INIT.	DATE	DATE
NOT TO SCALE		Designated by: Melissa B. Toth 7/15/2015 CHECKED BY: MB Toth DATE	

CADD File name: U3338B_CL_NOTES.dgn