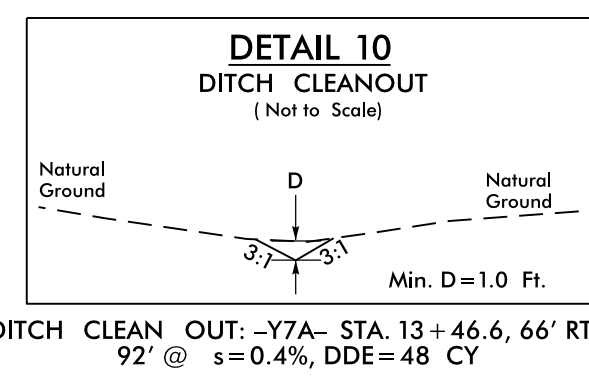
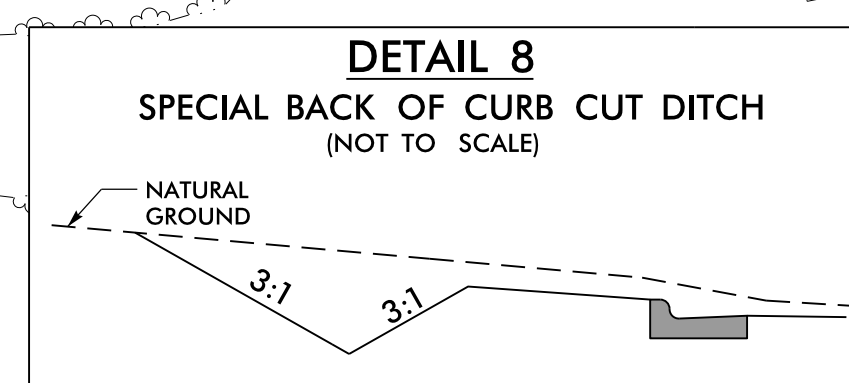


PROJECT REFERENCE NO.	SHEET NO.
U-3338B	EC-73/CONST.35
RW SHEET NO.	
ROADWAY DESIGN ENGINEER	HYDRAULICS ENGINEER

NAD 83/95



8/17/99

92 JAN-2015 16:19
R:\m\p\om\p\U-3338b-EC.upsh.s35.dgn
A:\m\p\om\p\U-3338b-EC.upsh.s35.dgn