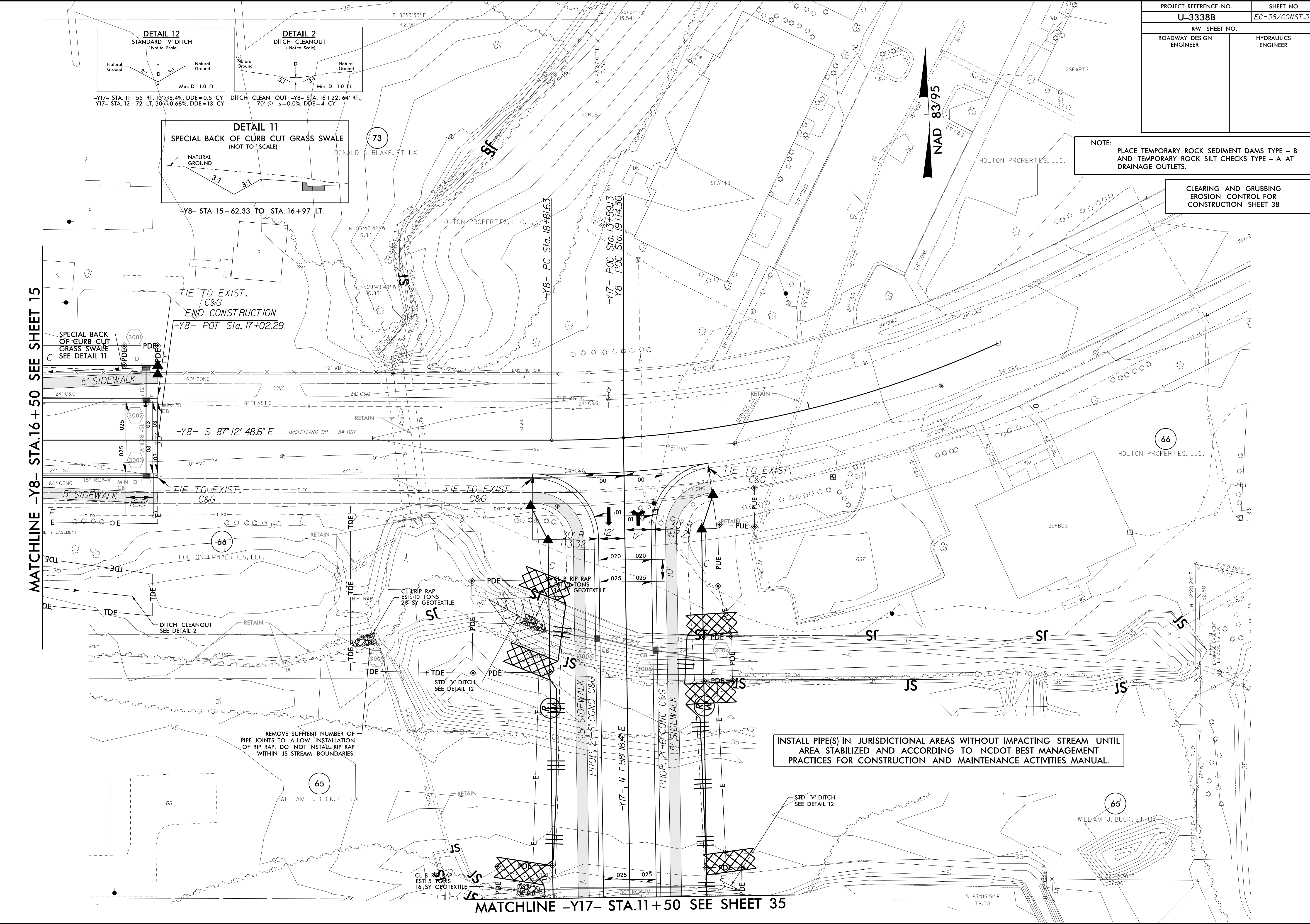


PROJECT REFERENCE NO.	SHEET NO.
U-3338B	EC-38/CONST.38
RW SHEET NO.	
ROADWAY DESIGN ENGINEER	HYDRAULICS ENGINEER

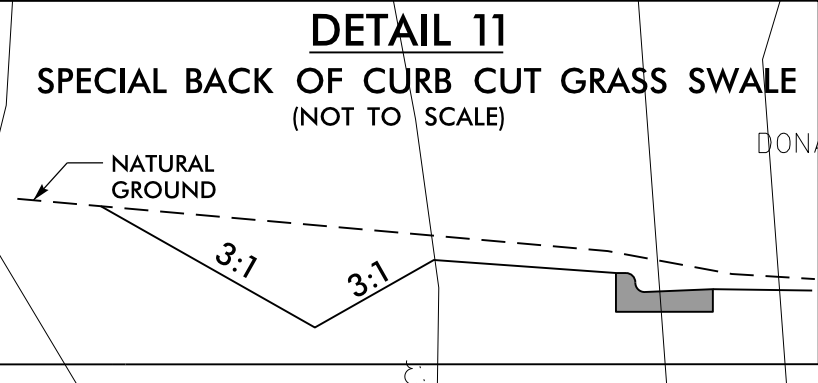
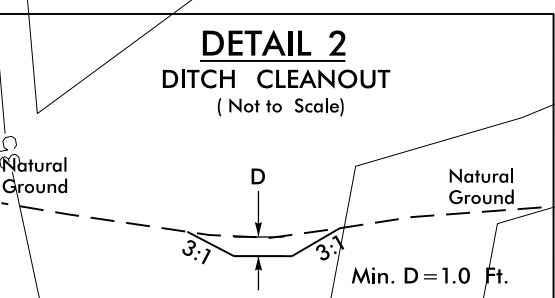
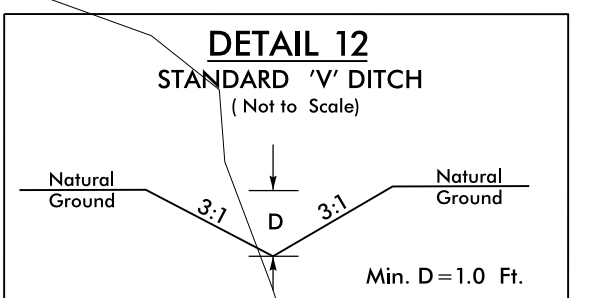
NOTE: PLACE TEMPORARY ROCK SEDIMENT DAMS TYPE - B AND TEMPORARY ROCK SILT CHECKS TYPE - A AT DRAINAGE OUTLETS.

CLEARING AND GRUBBING EROSION CONTROL FOR CONSTRUCTION SHEET 38



MATCHLINE -Y8- STA.16+50 SEE SHEET 15

MATCHLINE -Y17- STA.11+50 SEE SHEET 35



-Y17- STA. 11+55 RT, 10' @ 8.4%, DDE=0.5 CY
 -Y17- STA. 12+72 LT, 30' @ 0.68%, DDE=13 CY

DITCH CLEAN OUT: -Y8- STA. 16+22, 64' RT, 70' @ s=0.0%, DDE=4 CY

-Y8- STA. 15+62.33 TO STA. 16+97 LT.

TIE TO EXIST. C&G
 END CONSTRUCTION
 -Y8- POT Sta. 17+02.29

-Y8- S 87°12' 48.6° E

-Y8- PC Sta. 18+81.63

-Y17- POC Sta. 13+59.13
 -Y17- POC Sta. 19+14.30

NAD 83 95

INSTALL PIPE(S) IN JURISDICTIONAL AREAS WITHOUT IMPACTING STREAM UNTIL AREA STABILIZED AND ACCORDING TO NCDOT BEST MANAGEMENT PRACTICES FOR CONSTRUCTION AND MAINTENANCE ACTIVITIES MANUAL.

REMOVE SUFFICIENT NUMBER OF PIPE JOINTS TO ALLOW INSTALLATION OF RIP RAP. DO NOT INSTALL RIP RAP WITHIN JS STREAM BOUNDARIES.

CL B RIP RAP EST 5 TONS 16 SY GEOTEXTILE

CL Y RIP RAP EST 10 TONS 23 SY GEOTEXTILE

8/17/99
 9/21/2015 16:27
 D:\projects\U-3338b-EC.upsh.s38.dgn
 R:\env\romen\proj\U-3338b-EC.dwg