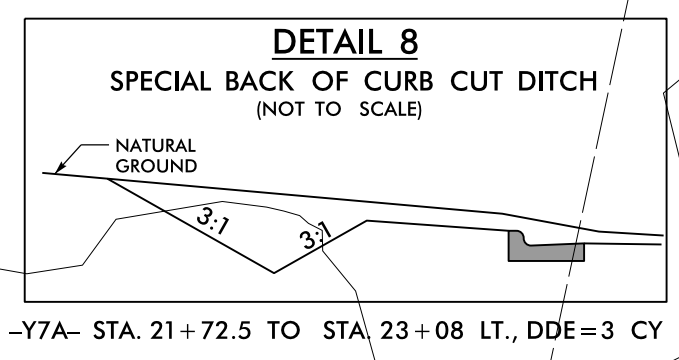


PROJECT REFERENCE NO.	SHEET NO.
U-3338B	EC-29/CONST.29
RW SHEET NO.	
ROADWAY DESIGN ENGINEER	HYDRAULICS ENGINEER

MATCHLINE -Y7A- STA.22+50 SEE SHEET 36



NOTE 1:
PLUG AND FILL FULL WITH FLOWABLE FILL

NOTE:
PLACE TEMPORARY ROCK SEDIMENT DAMS TYPE - B AND TEMPORARY ROCK SILT CHECKS TYPE - A AT DRAINAGE OUTLETS.

CLEARING AND GRUBBING EROSION CONTROL FOR CONSTRUCTION SHEET 29

★ PROPOSED SIGNAL

-Y6- POT Sta.30+77.74
-Y7A- POT Sta.25+13.45
-Y16- POT Sta.17+85.00

MATCHLINE -Y6- STA.28+00 SEE SHEET 28

MATCHLINE -Y6- STA.33+25 SEE SHEET 30

MATCHLINE -Y16- STA.16+50 SEE SHEET 33

8/17/99

23 JAN 2015 14:31 D:\projects\U-3338b-EC.psh.s29.dgn
R:\LE\m\m\m\U-3338b-EC.psh.s29.dgn

