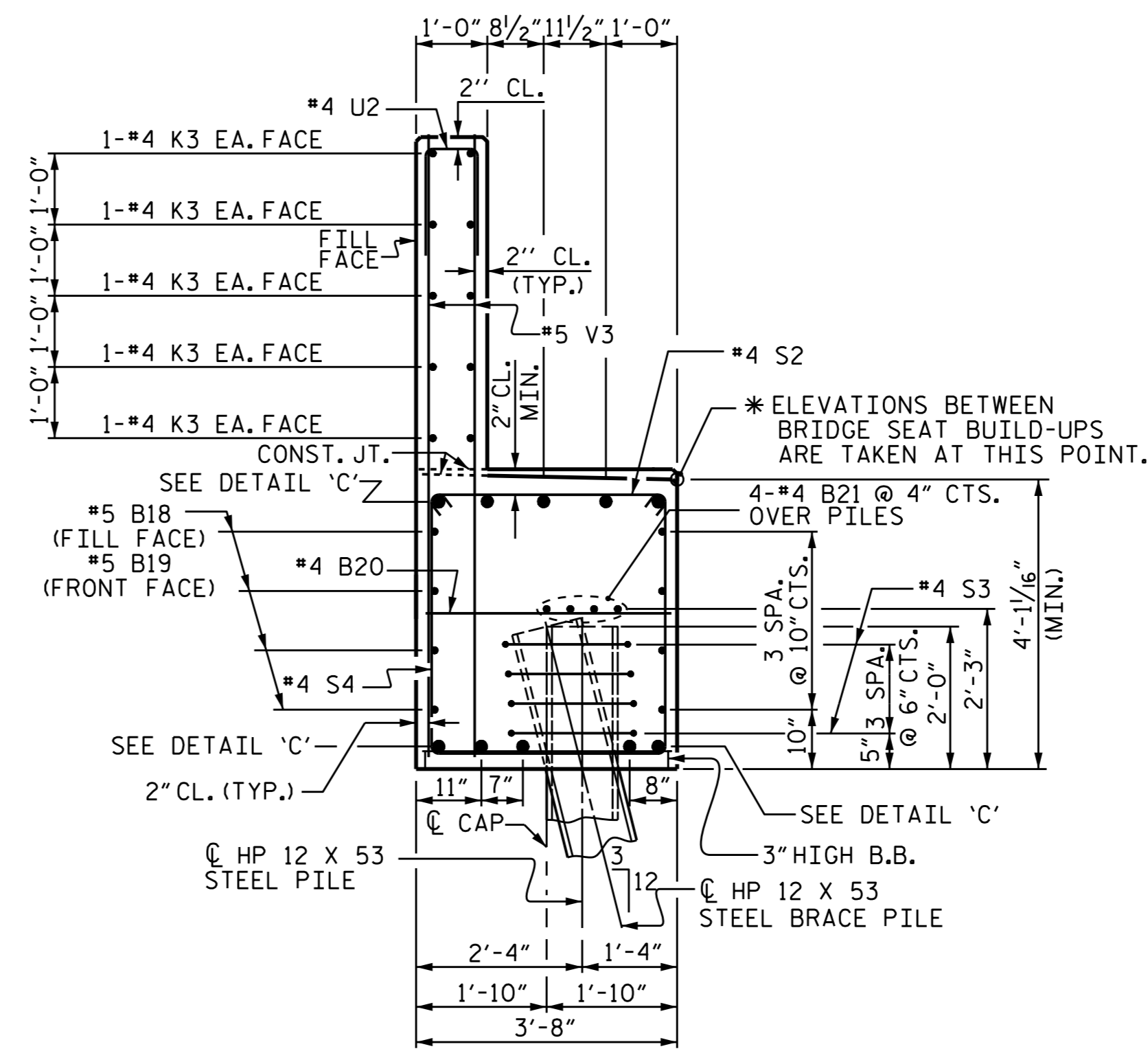
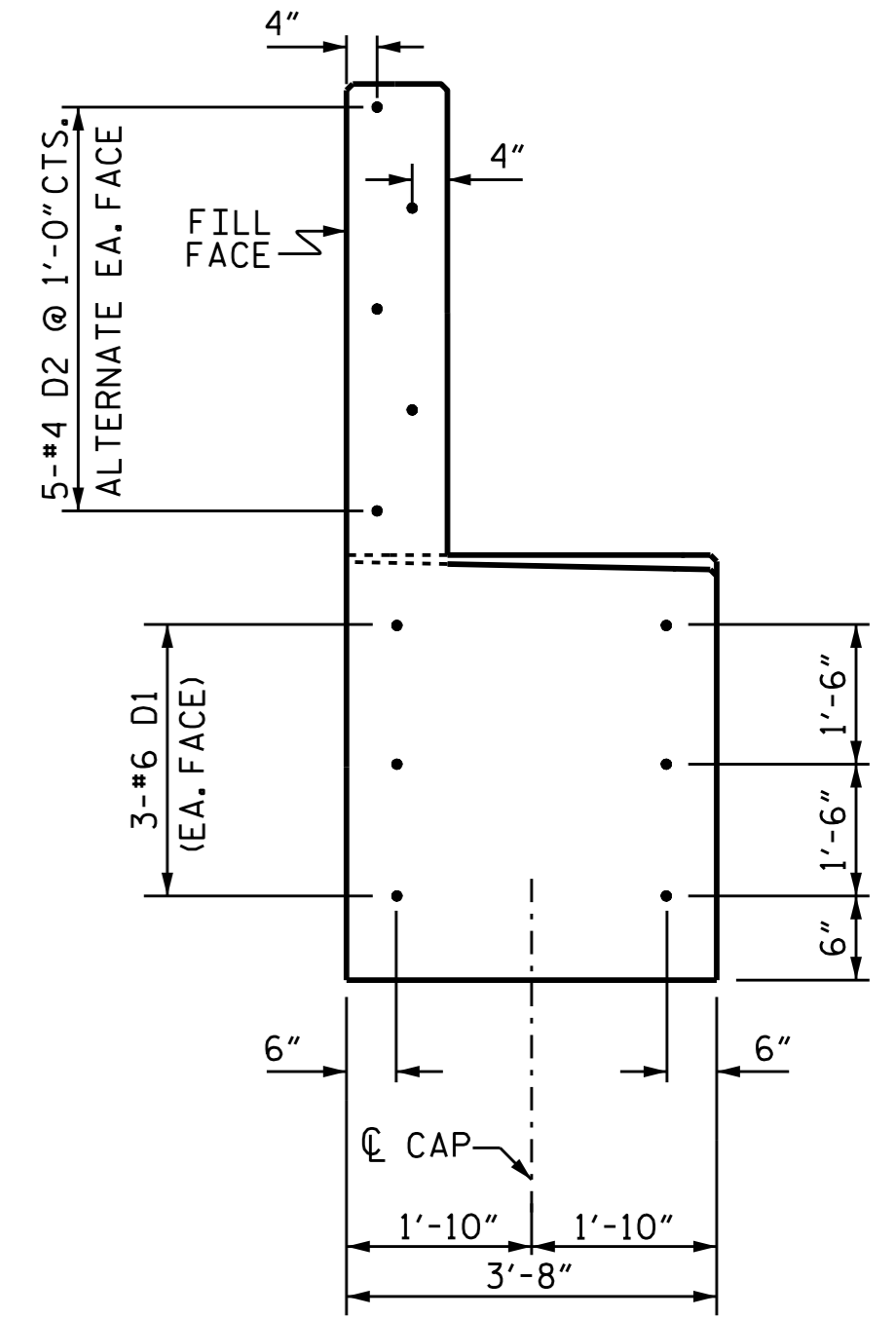


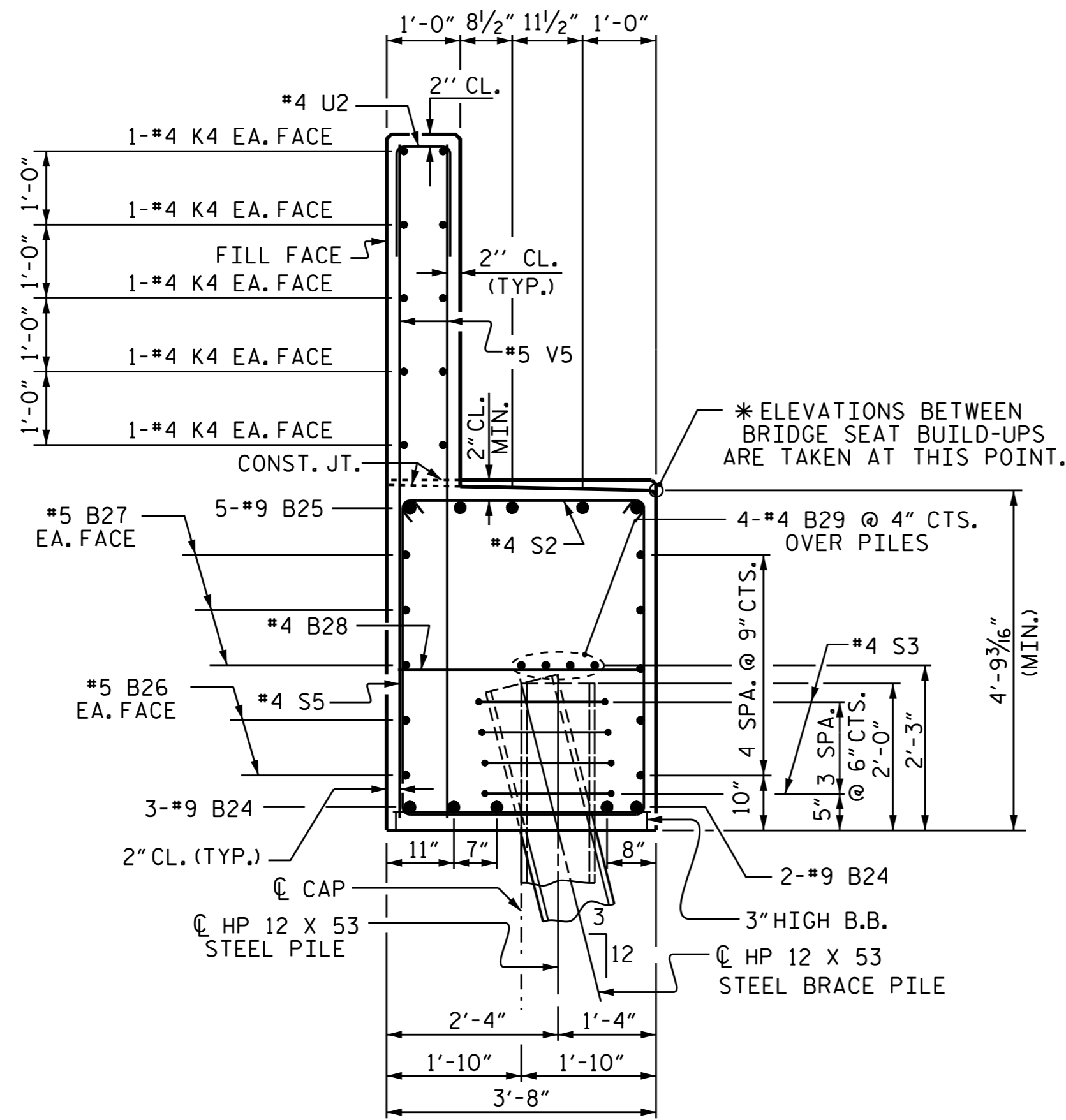
SECTION A-A



SECTION B-B

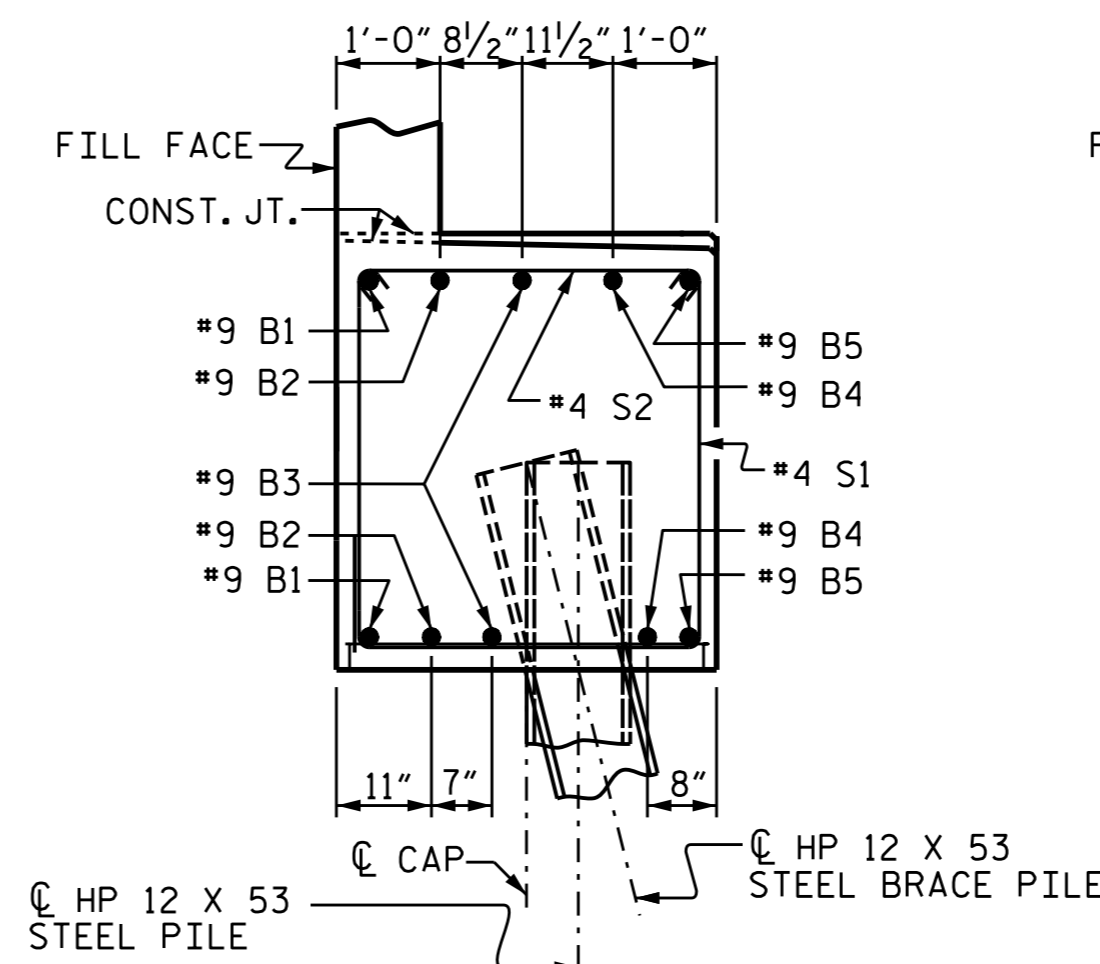


DOWEL LOCATION

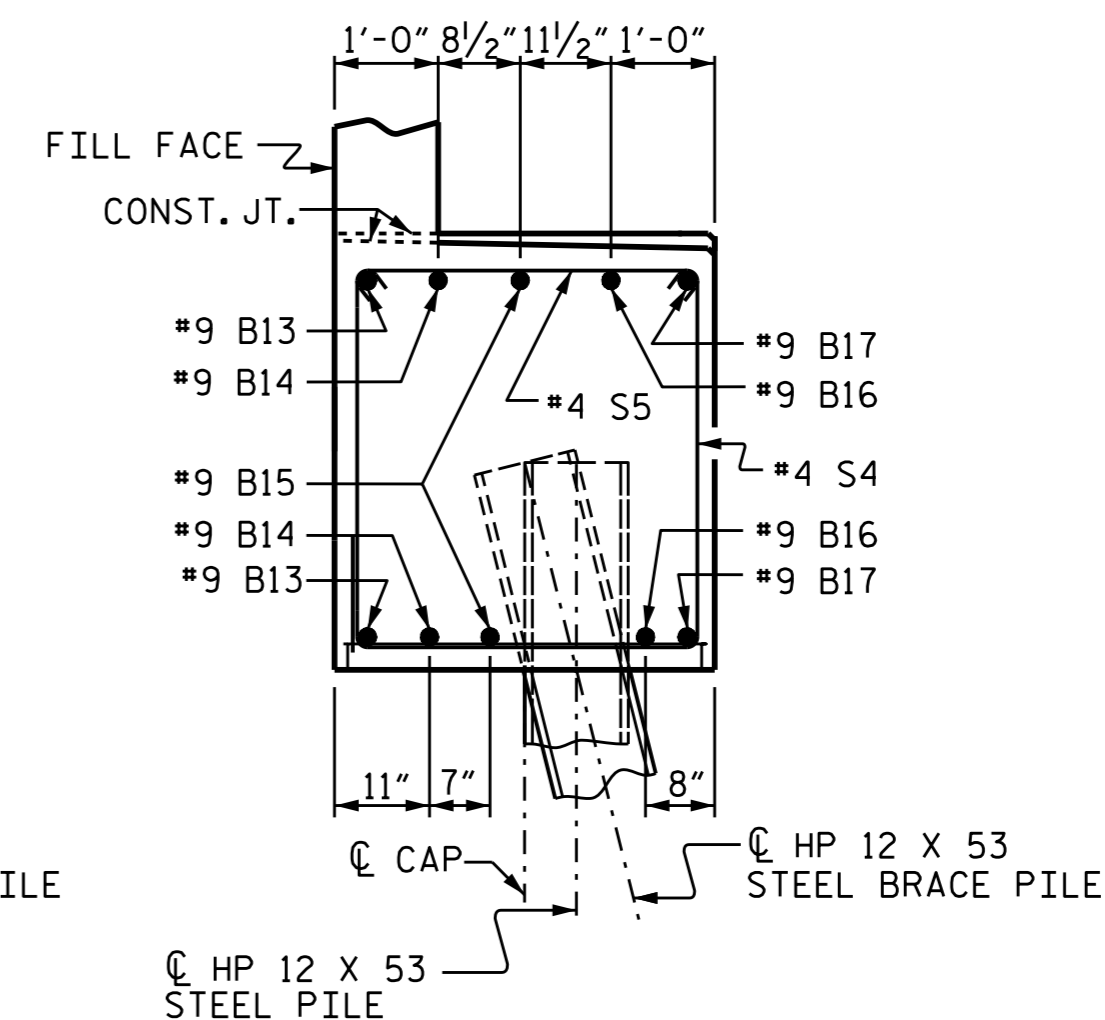


SECTION C-C

(CONCRETE COLLAR NOT SHOWN)



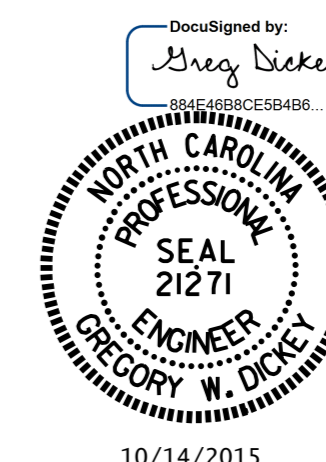
DETAIL 'B'



DETAIL 'C'

PROJECT NO. I-3318BB  
JOHNSTON COUNTY  
 STATION: 24+68.00 -L-

SHEET 5 OF 6



10/14/2015

STATE OF NORTH CAROLINA  
 DEPARTMENT OF TRANSPORTATION  
 RALEIGH  
 SUBSTRUCTURE  
 END BENT #2  
 STAGE I & II

REVISIONS						SHEET NO.	
NO.	BY:	DATE:	NO.	BY:	DATE:	S-65	
1			3			TOTAL SHEETS	
2			4			78	

DRAWN BY: B.N.BARODAWALA DATE: 4-6-15  
 CHECKED BY: DAVID GLADDEN DATE: 4-6-15  
 DESIGN ENGINEER OF RECORD: ASHVIN PATEL DATE: 8-6-15