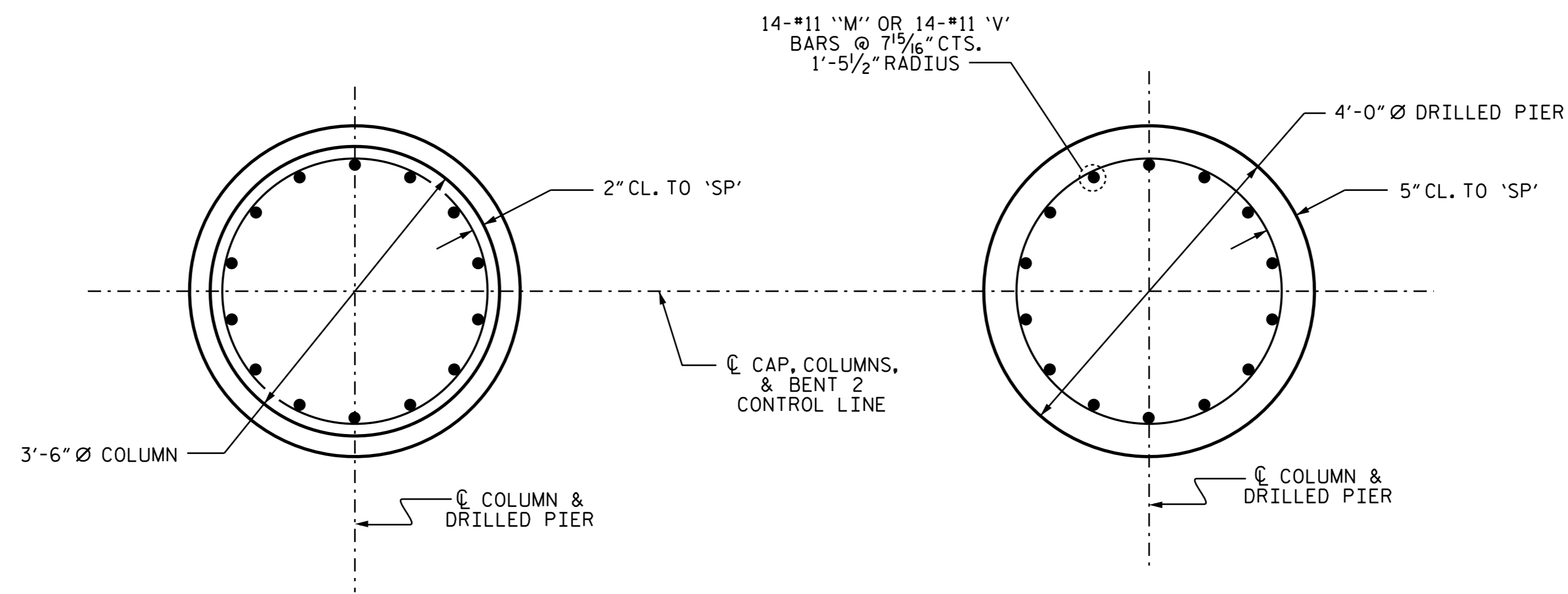


**COLUMNS AND DRILLED PIERS LAYOUT (STAGE I AND STAGE II)**



**DETAILS OF COLUMNS AND DRILLED PIERS**

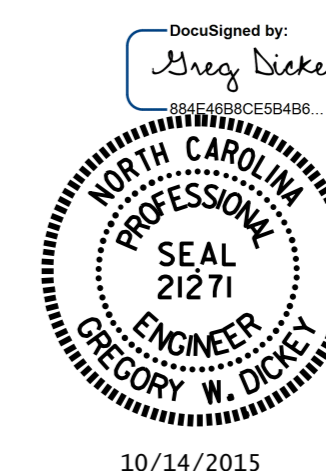
(DIMENSIONS AND REINFORCING STEEL ARE TYPICAL FOR EACH COLUMN, AND DRILLED PIERS.)

PROJECT NO. I-3318BB  
JOHNSTON COUNTY  
 STATION: 24+68.00 -L-

SHEET 4 OF 5

STATE OF NORTH CAROLINA  
 DEPARTMENT OF TRANSPORTATION  
 RALEIGH

**BENT #2**  
**STAGE I & II**



DRAWN BY : B. N. BARODAWALA DATE : 4-22-15  
 CHECKED BY : D. G. ELY DATE : 6-3-15  
 DESIGN ENGINEER OF RECORD: M. AHMED DATE : 8-6-15

REVISIONS						SHEET NO.
NO.	BY:	DATE:	NO.	BY:	DATE:	S-59
1			3			TOTAL SHEETS
2			4			78