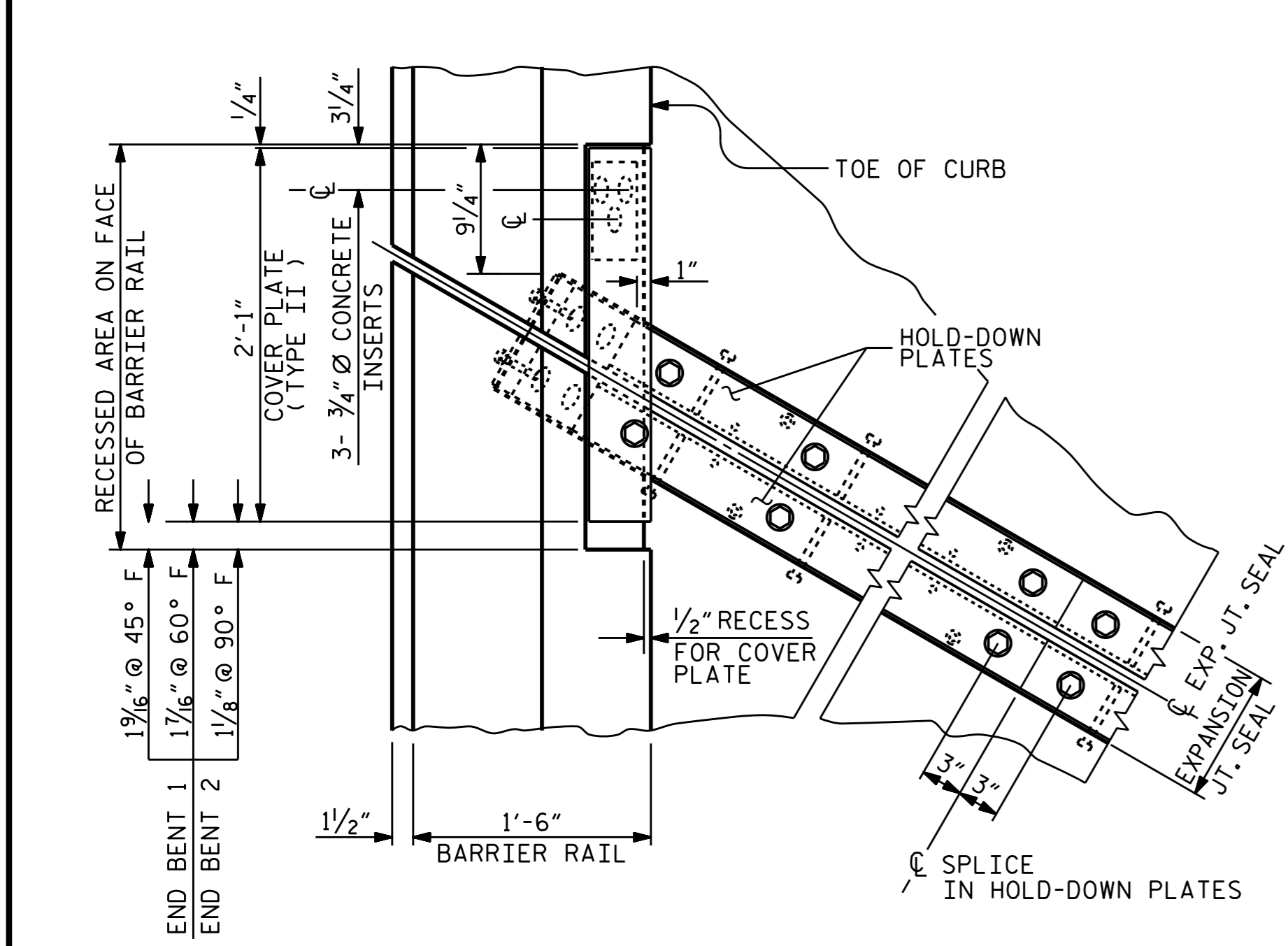


**SECTION THRU RAIL NORMAL TO JOINT**

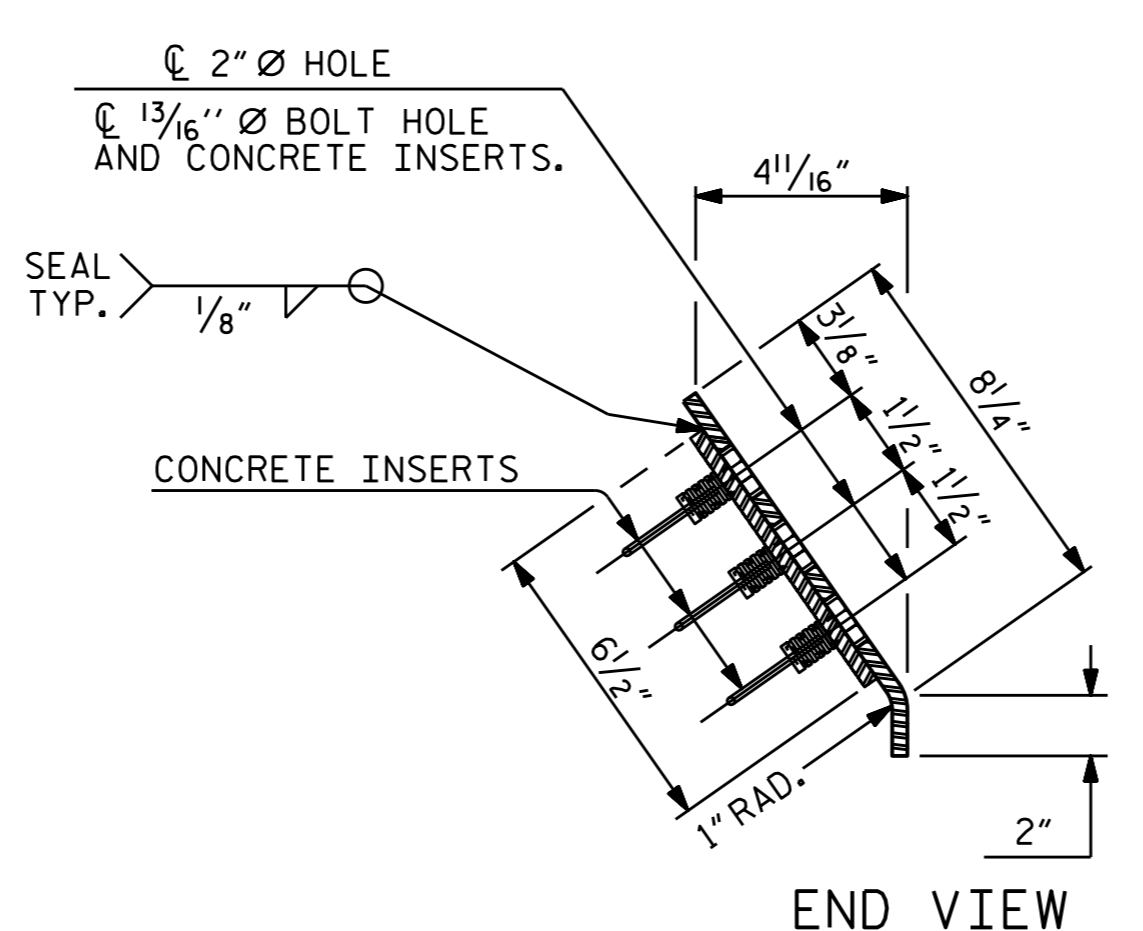


**PLAN OF EXPANSION JOINT SEAL**

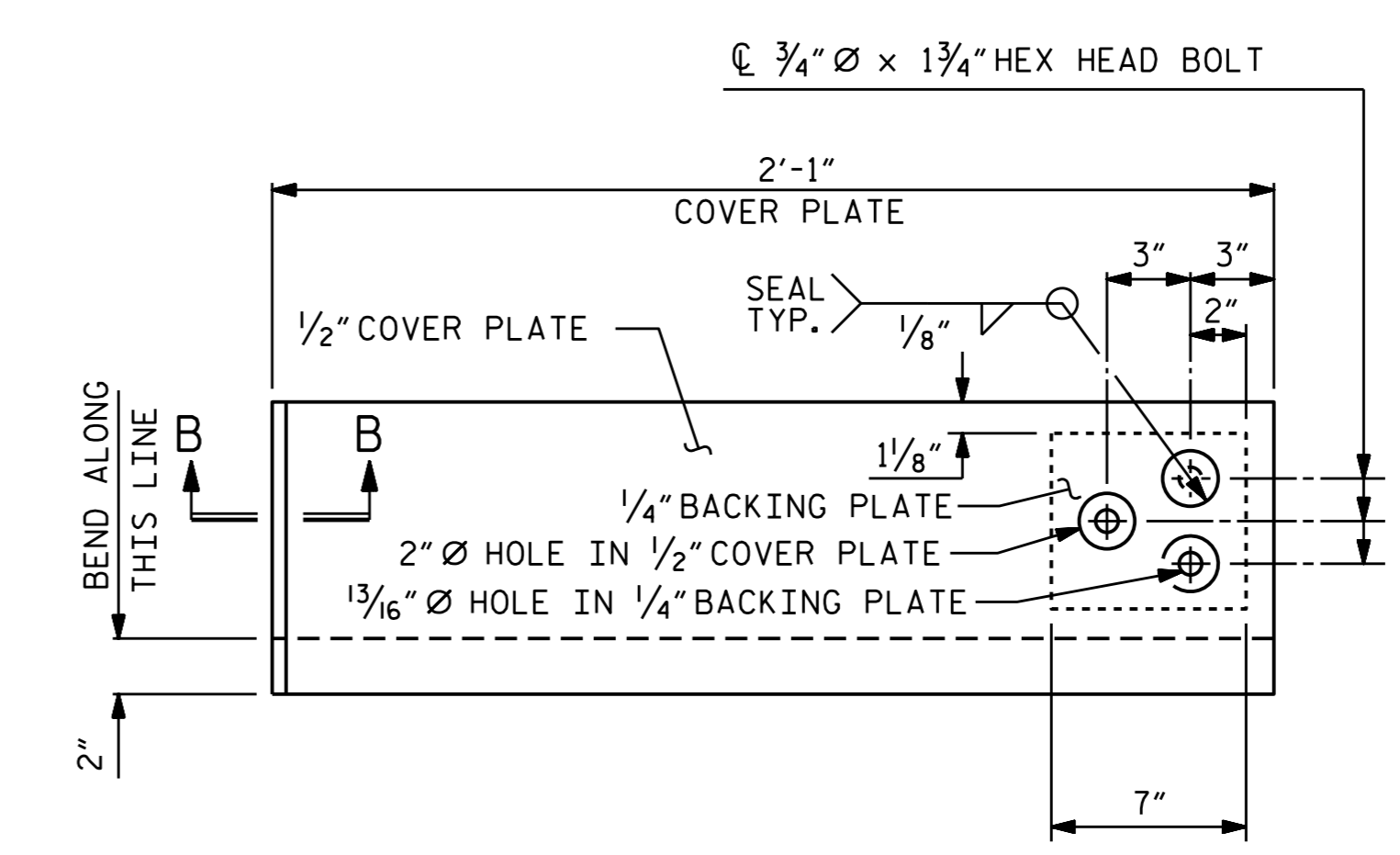
ASSEMBLED BY : D. G. ELY DATE : 04/21/15  
 CHECKED BY : B. N. BARODAWALA DATE : 5/15  
 DESIGN ENGINEER OF RECORD : M. L. RORIE DATE : 8/15

DRAWN BY : REK 9/87 MAA/GM  
 CHECKED BY : CRK 10/87 MAA/GM

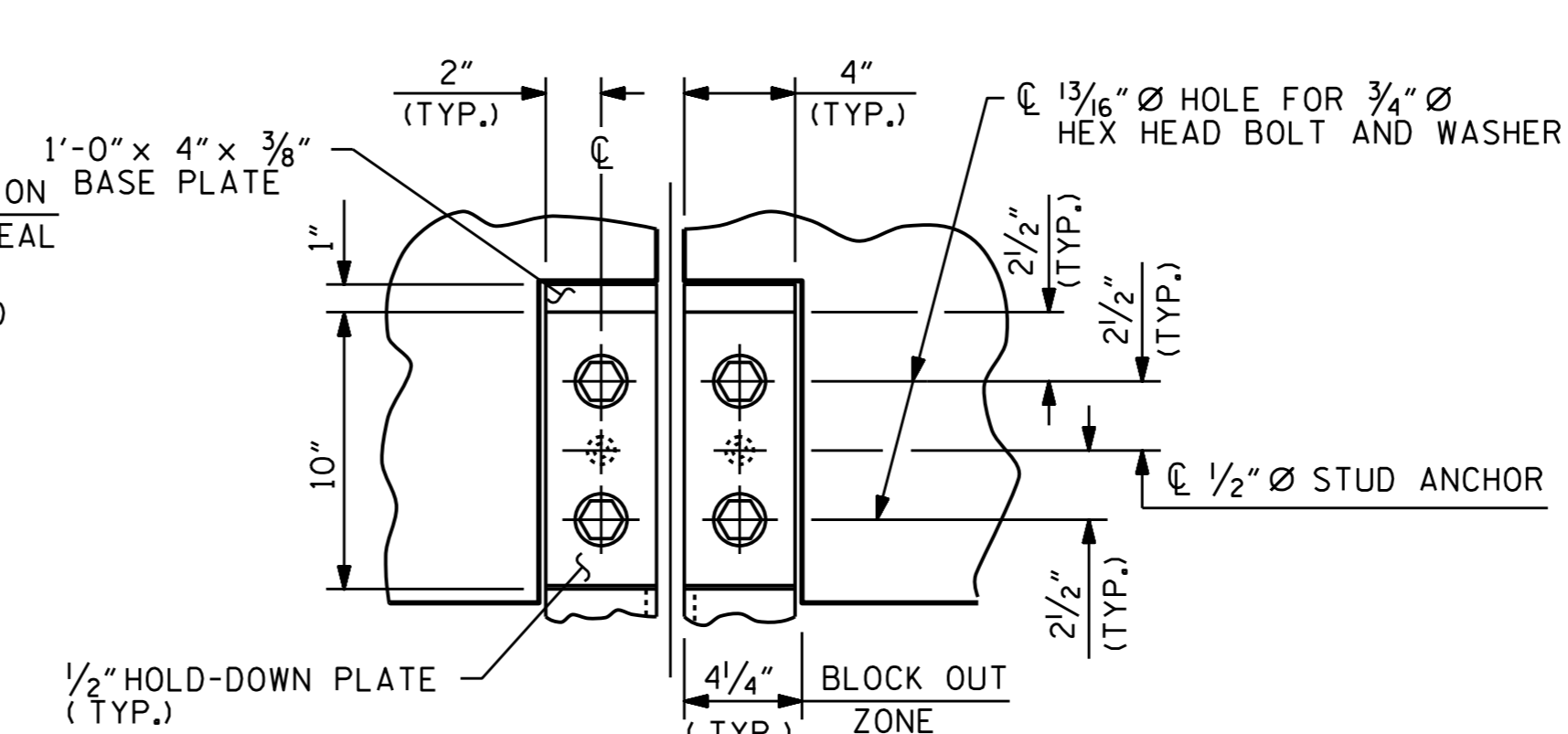
REV. 10/1/11 MAA/GM  
 REV. 7/12 MAA/GM  
 REV. 6/13 MAA/GM



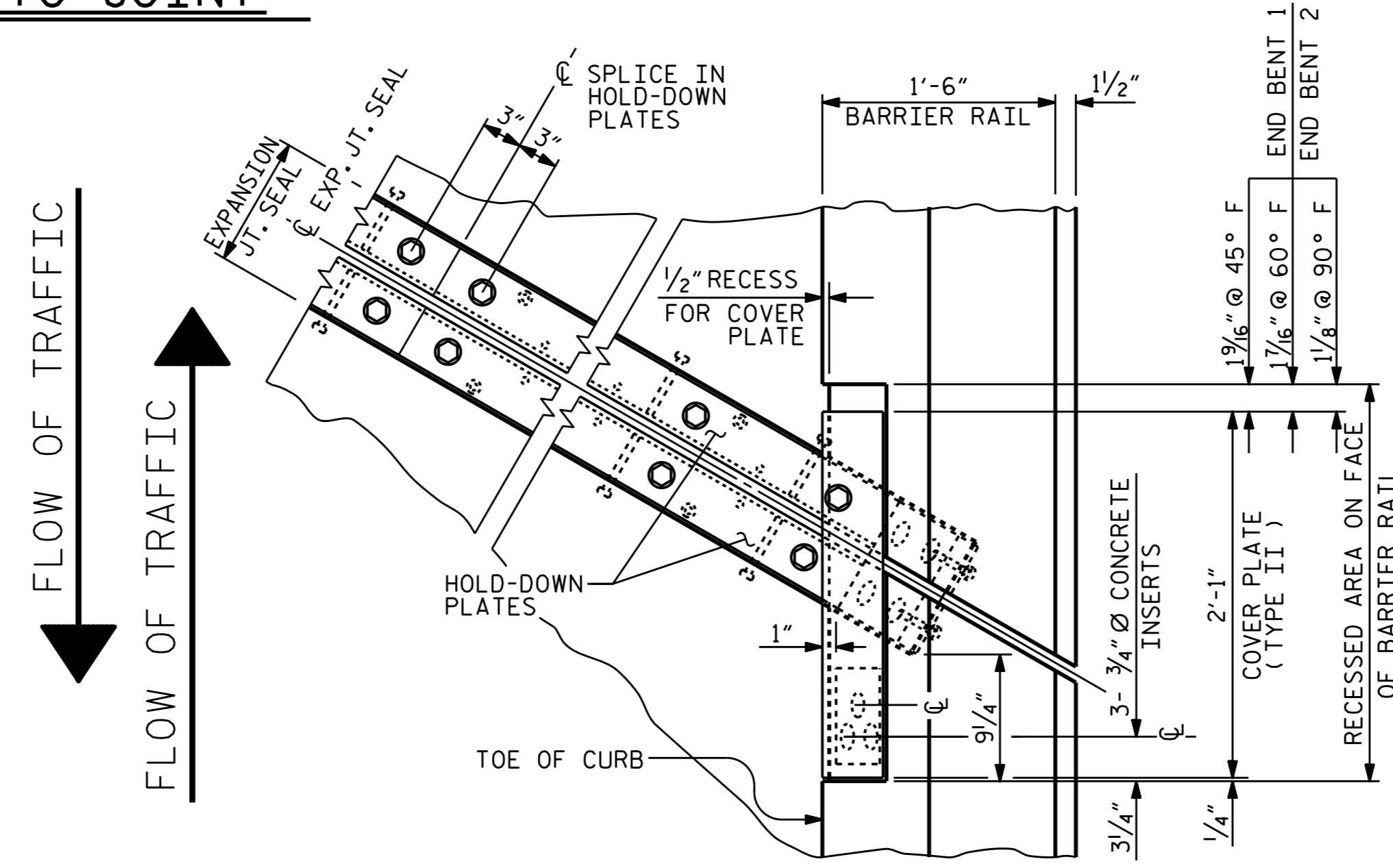
**END VIEW**



**TYPE II - ELEVATION VIEW  
COVER PLATE DETAILS**

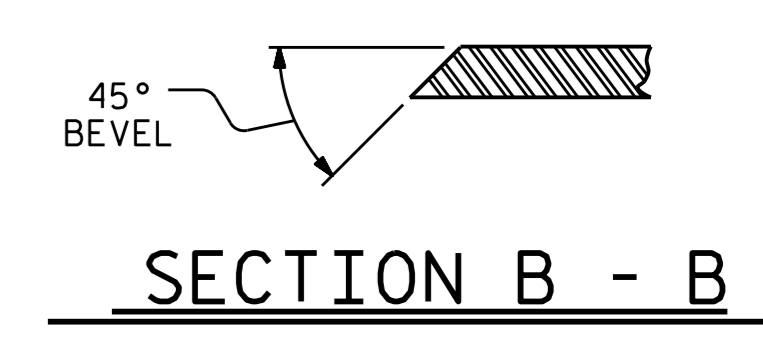


**SECTION A - A**

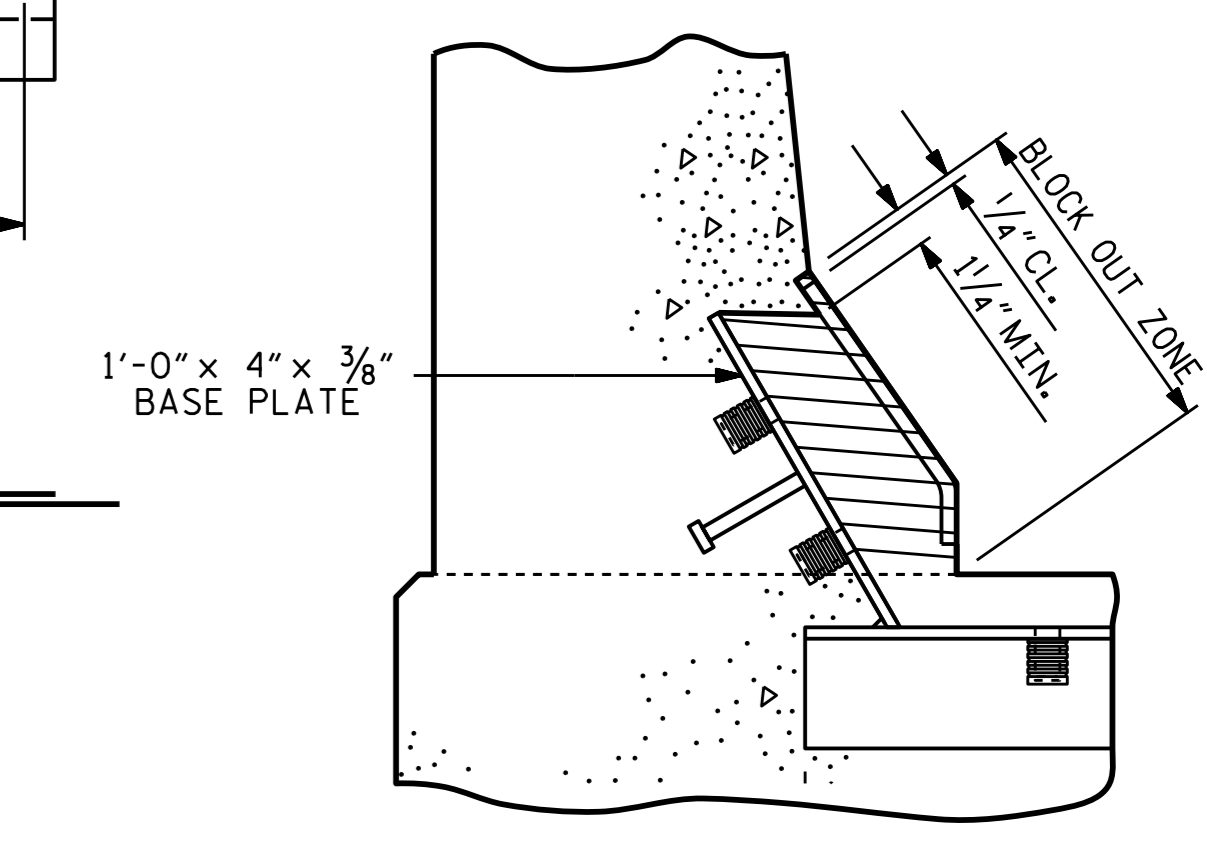


FLOW OF TRAFFIC

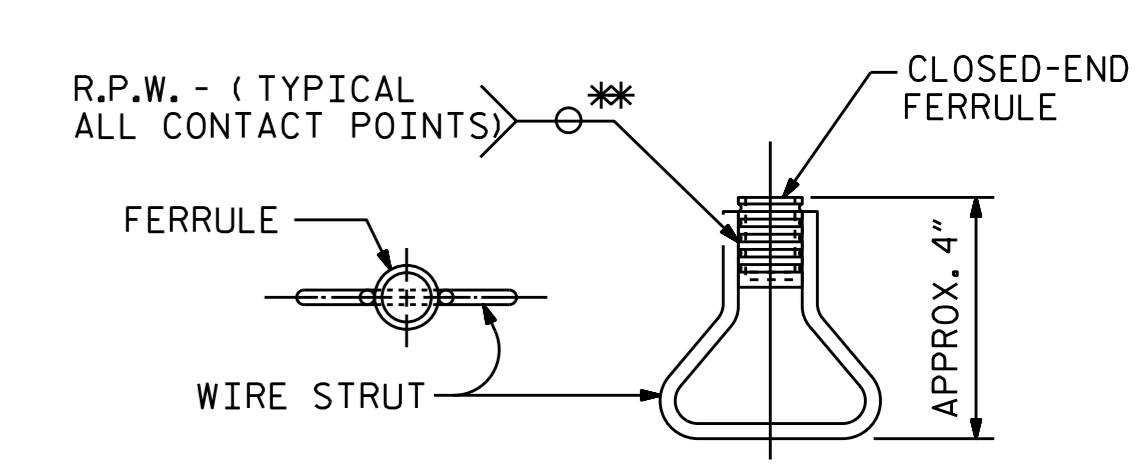
FLOW OF TRAFFIC



**SECTION B - B**



**BLOCK OUT DETAIL**  
SEE "SECTION A - A" FOR OTHER DETAILS.

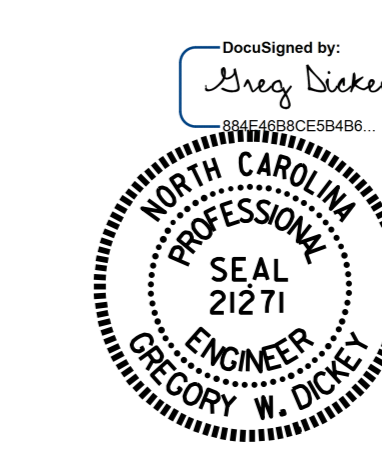


**PLAN ELEVATION  
CONCRETE INSERT**

\* EACH WELDED ATTACHMENT OF WIRE TO FERRULE SHALL DEVELOP THE TENSILE STRENGTH OF THE WIRE.

PROJECT NO. I-3318BB  
 JOHNSTON COUNTY  
 STATION: 24+68.00 -L-

SHEET 2 OF 3



STATE OF NORTH CAROLINA  
 DEPARTMENT OF TRANSPORTATION  
 RALEIGH  
 STANDARD  
 EXPANSION JOINT  
 SEAL DETAILS  
 FOR BARRIER RAIL

REVISIONS						SHEET NO. S-40
NO.	BY:	DATE:	NO.	BY:	DATE:	
1			3			TOTAL SHEETS 78
2			4			