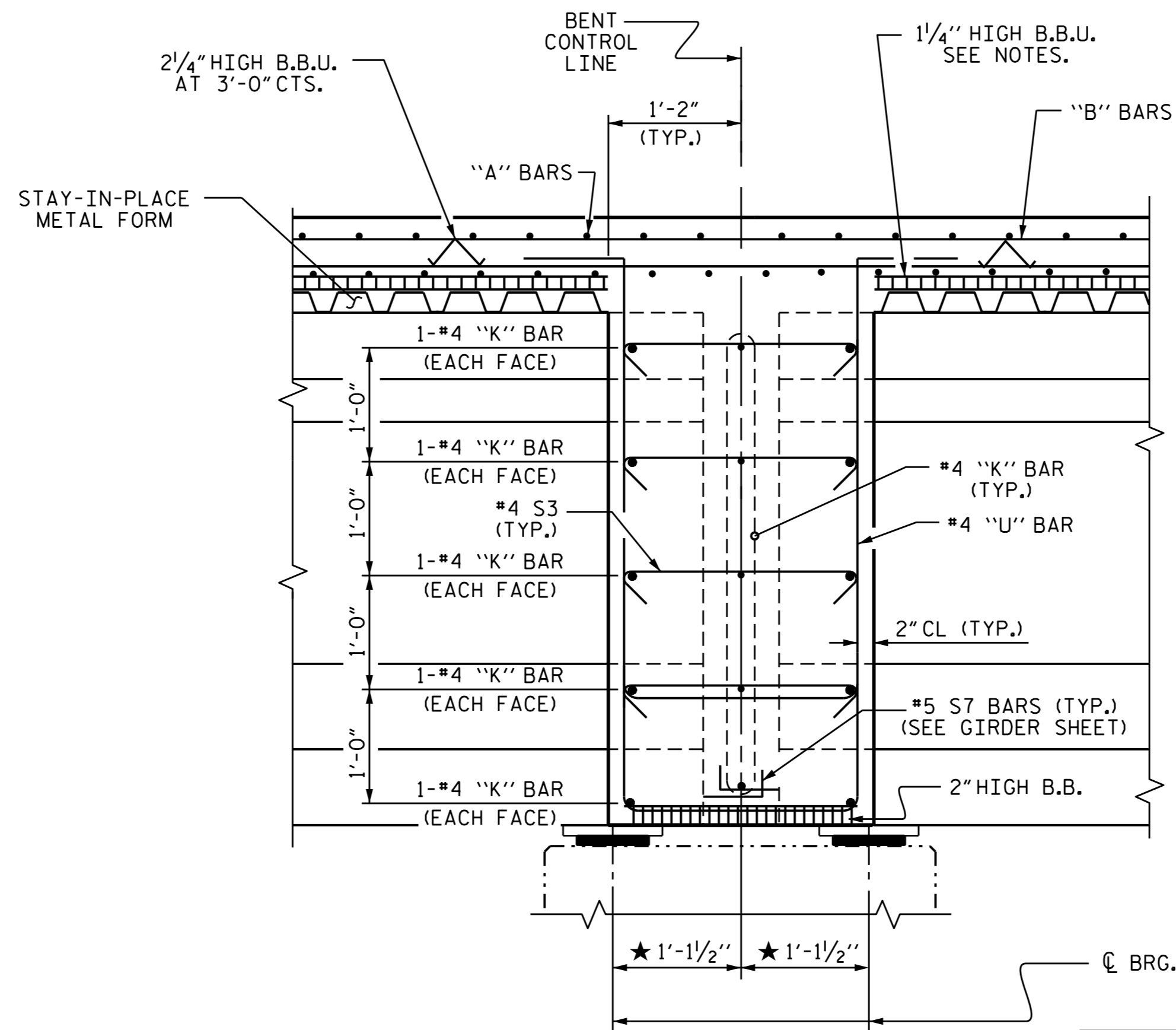
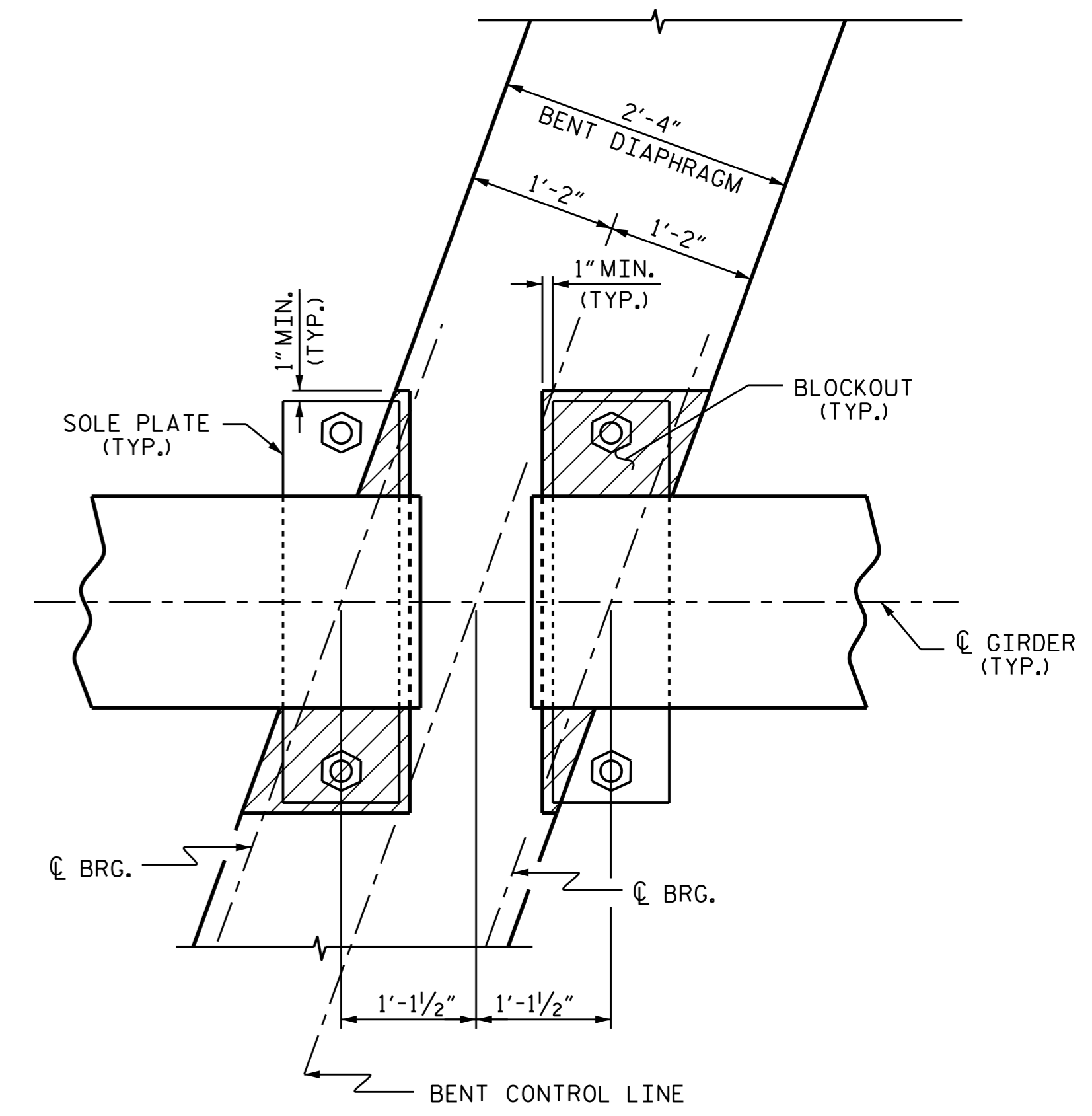
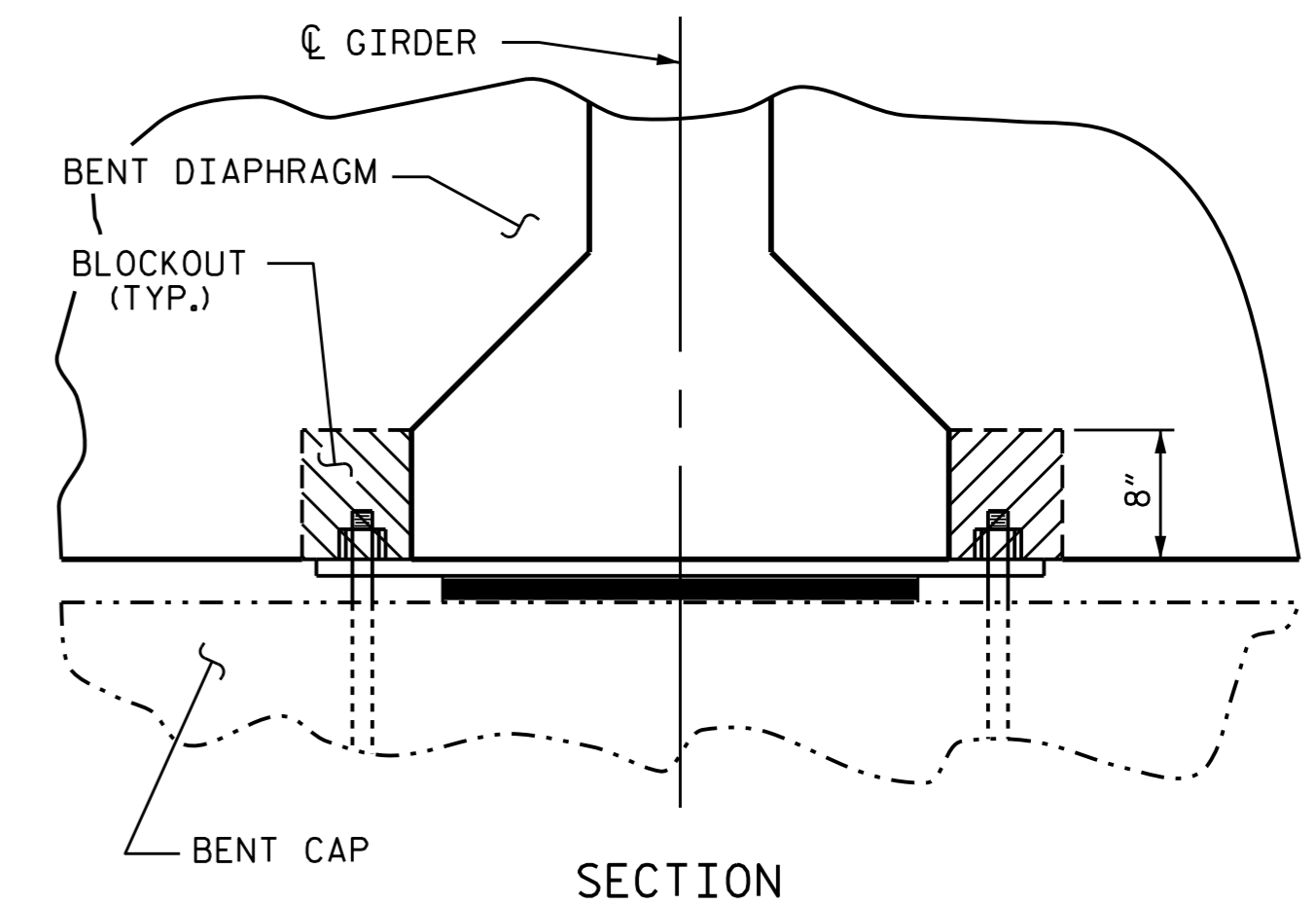


SECTION @ END BENT

END BENT 1 SHOWN,
END BENT 2 SIMILAR BY ROTATION



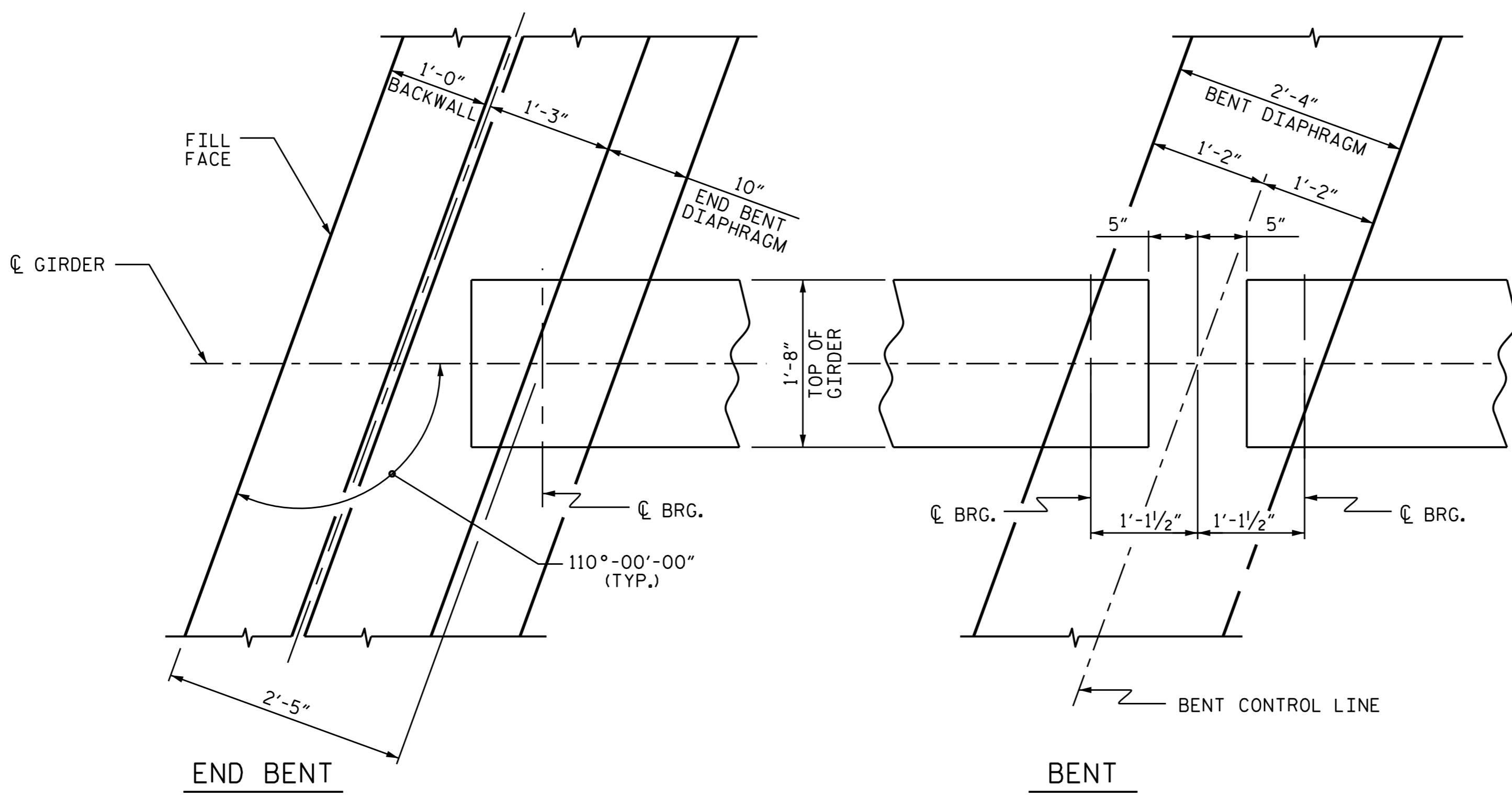
SECTION @ CONTINUOUS BENT



**BENT DIAPHRAGM
BLOCKOUT DETAIL**

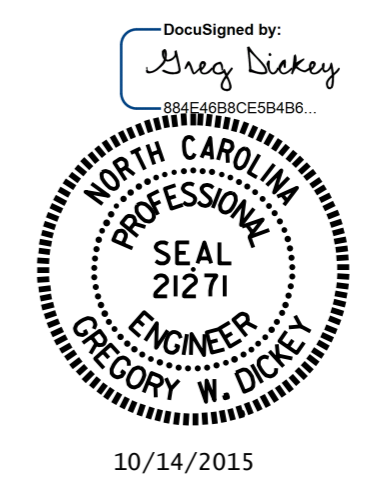
PROJECT NO. I-3318BB
JOHNSTON COUNTY
 STATION: 24+68.00 -L-

SHEET 5 OF 5



PLAN OF DIAPHRAGMS

END BENT 1 AND BENT 1 SHOWN,
END BENT 2 AND BENT 2 SIMILAR BY ROTATION



10/14/2015

DRAWN BY: D. G. ELY DATE: 9/17/14
 CHECKED BY: B. N. BARODAWALA DATE: 3/15
 DESIGN ENGINEER OF RECORD: M. L. RORIE DATE: 8/15

REVISIONS						SHEET NO. S-11
NO.	BY:	DATE:	NO.	BY:	DATE:	
1			3			TOTAL SHEETS 78
2			4			