

STATE OF NORTH CAROLINA
 DEPT. OF TRANSPORTATION
 DIVISION OF HIGHWAYS
 RALEIGH, N.C.

1-12

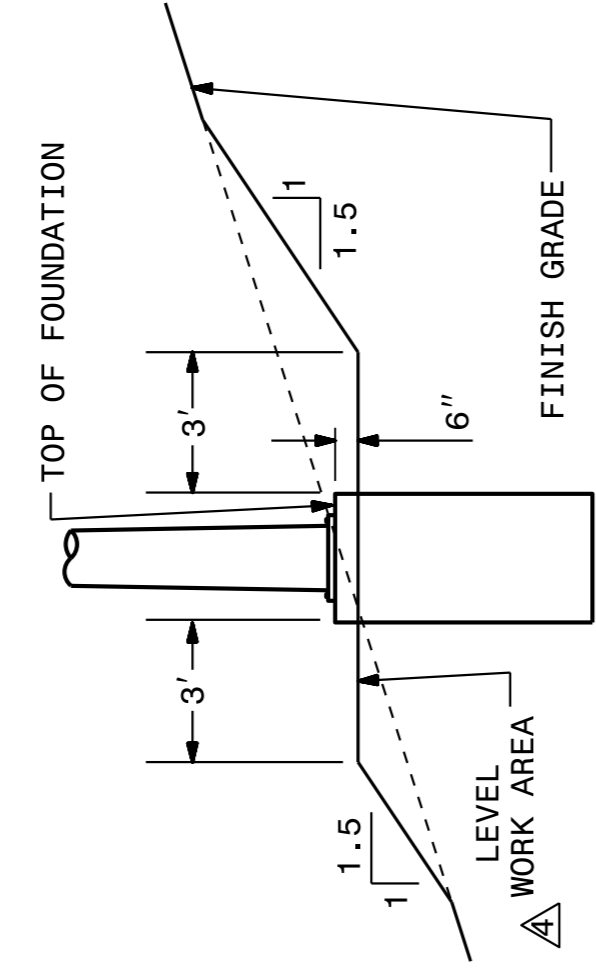
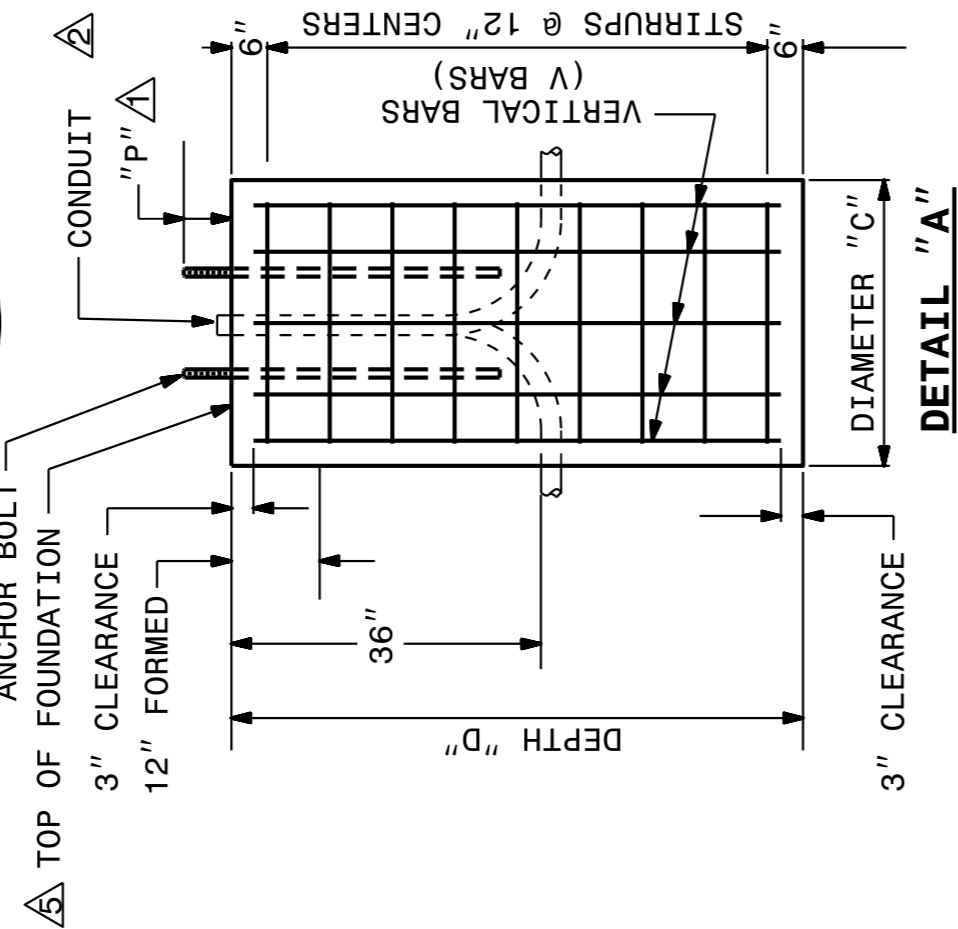
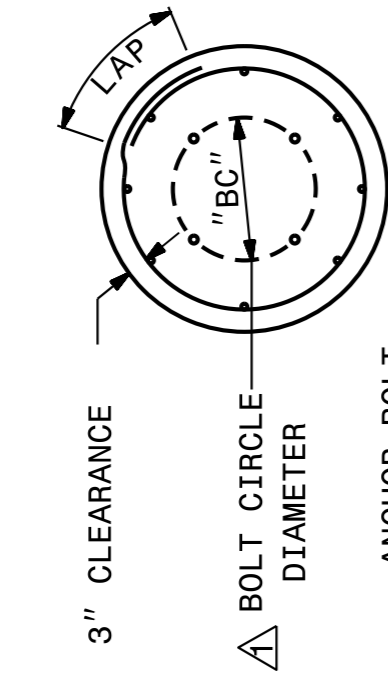
ENGLISH STANDARD DRAWING FOR
HIGH MOUNT FOUNDATION

SHEET 1 OF 1
1402D01

TABLE OF FOUNDATION DIMENSIONS AND QUANTITIES

HEIGHT OF HIGH MOUNT FT	STIRRUPS		WIND VELOCITY MPH														
	DIAMETER "C" FT	SIZE	90		110		130		150		170		190				
			DEPTH "D" FT	REINF. STEEL LBS	CONCRETE CY	DEPTH "D" FT	REINF. STEEL LBS	CONCRETE CY	DEPTH "D" FT	REINF. STEEL LBS	CONCRETE CY	DEPTH "D" FT	REINF. STEEL LBS	CONCRETE CY			
60	3.5	#3	11	280	3.9	12	306	4.3	8	#8	8	331	4.6	8	#8	331	4.6
80	3.5	#3	12	306	4.3	13	331	4.6	8	#8	8	382	5.3	8	#8	382	5.3
100	4.0	#3	13	413	6.1	15	477	7.0	8	#9	8	509	7.4	8	#9	509	7.4
120	4.5	#3	15	557	8.2	16	636	9.4	8	#10	8	716	10.6	8	#10	716	10.6

* INCLUDES STIRRUPS AND VERTICAL BARS (V BARS)



DETAIL "A"

DETAIL "B"

NOTES

- ANCHOR BOLTS
 CONFORM NUMBER, SIZE, AND LENGTH OF ANCHOR BOLTS, BOLT CIRCLE DIAMETER "BC", AND ANCHOR BOLT PROJECTION "P" TO APPROVED HIGH MOUNT STANDARD DRAWINGS.
- CONDUITS
 MATCH ORIENTATION, QUANTITY, TYPE, AND SIZE OF CONDUITS TO THE LAYOUT SHEETS. STUB AND CAP ONE SPARE CONDUIT AT EACH FOUNDATION. PROJECT FOUNDATION A MAXIMUM OF 2" ABOVE TOP OF FOUNDATION. PLACE CONDUIT 30" BENEATH FINISH GRADE. INCLUDE CONDUIT FOR GROUNDING ELECTRODE CONDUCTOR TO GROUND ROD AT HIGH MAST FOUNDATION.
- DIMENSIONS & QUANTITIES
 DIMENSIONS AND QUANTITIES OF CONCRETE AND REINFORCING STEEL ARE GIVEN FOR THE PURPOSE OF OBTAINING BID PRICES ONLY. SEE PROJECT SPECIAL PROVISIONS FOR OTHER STRUCTURAL REQUIREMENTS.
- WORK AREA
 PROVIDE A LEVEL WORK AREA AROUND EACH FOUNDATION. CUT/FILL SLOPES MAY BE ADJUSTED AS DIRECTED BY THE ENGINEER.
- ELEVATION
 SET TOP OF FOUNDATION AT .6" ABOVE LEVEL WORK AREA. SEE DETAIL "B".
- GUARDRAIL
 WHERE GUARDRAIL IS REQUIRED TO BE INSTALLED AS PART OF LIGHTING WORK, SET GUARDRAIL NO MORE THAN 8' FROM CENTER OF HIGH MAST FOUNDATION.

STATE OF NORTH CAROLINA
 DEPT. OF TRANSPORTATION
 DIVISION OF HIGHWAYS
 RALEIGH, N.C.

1-12

ENGLISH STANDARD DRAWING FOR
HIGH MOUNT FOUNDATION

SHEET 1 OF 1
1402D01

STATE OF NORTH CAROLINA
 DEPT. OF TRANSPORTATION
 DIVISION OF HIGHWAYS
 RALEIGH, N.C.

1-12

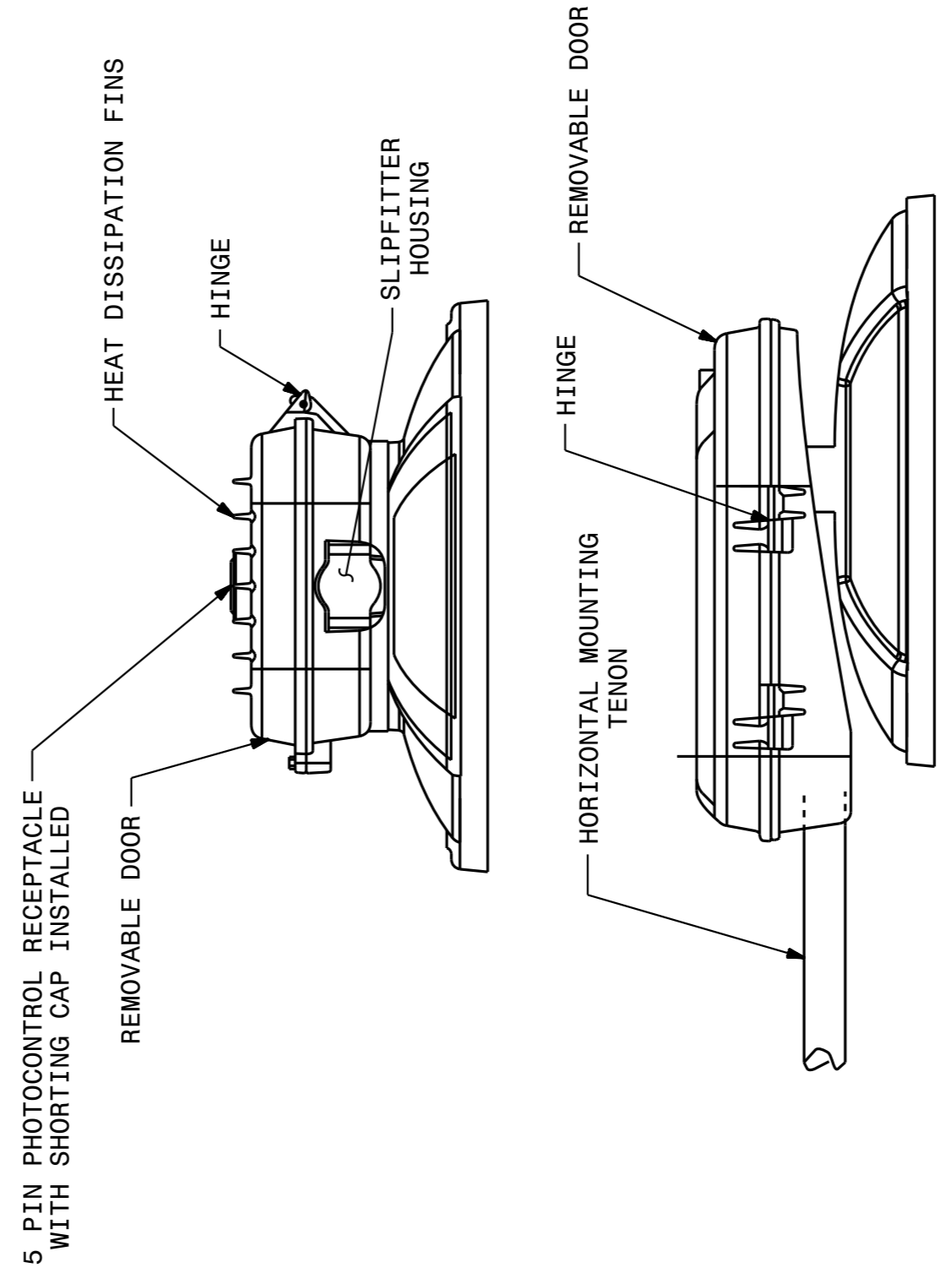
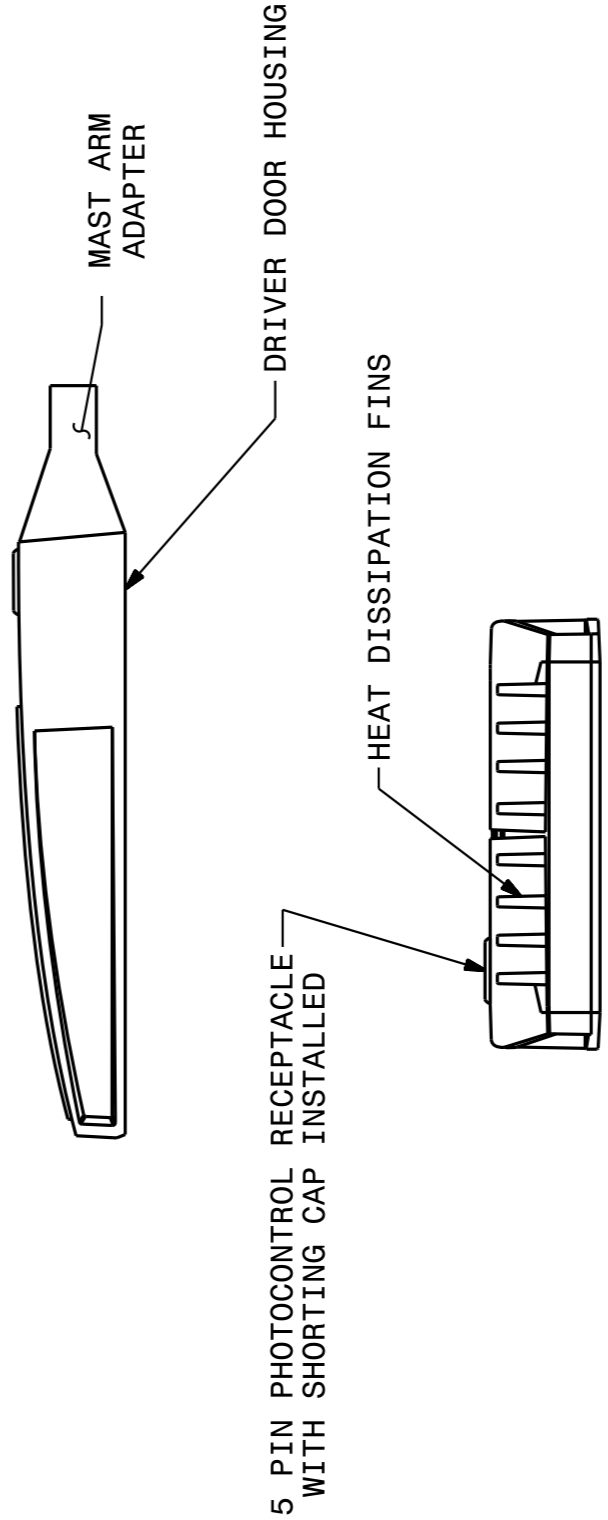
ENGLISH STANDARD DRAWING FOR
HIGH MOUNT LED LUMINAIRES

SHEET 1 OF 1
1403D01

TYPICAL CONFIGURATION TYPES

TYPE A

TYPE B



LED LUMEN PACKAGES

MOUNTING HEIGHT	# OF LUMINAIRES	MAXIMUM LUMINAIRE WATTAGE	MINIMUM LUMINAIRE DELIVERED LUMENS	MAXIMUM LAMP LUMEN MAINTENANCE FACTOR (100K HOURS @ 25° C)	COLOR TEMP.
60'	4	320	30,000	0.83	4,000K
80'	8	320	30,000	0.83	4,000K
100'	6	550	53,000	0.83	4,000K
120'	8	550	53,000	0.83	4,000K

NOTES

- SEE PLANS FOR IES DISTRIBUTION
- ENSURE THAT LED LUMINAIRES WILL BE ABLE TO BE PROPERLY MOUNTED ON THE EXISTING 24" TENON ARMS ON THE HIGH MAST CARRIER RING. PROVIDE LONGER TENON ARMS IF REQUIRED.

STATE OF NORTH CAROLINA
 DEPT. OF TRANSPORTATION
 DIVISION OF HIGHWAYS
 RALEIGH, N.C.

1-12

ENGLISH STANDARD DRAWING FOR
HIGH MOUNT LED LUMINAIRES

SHEET 1 OF 1
1403D01

2			
1			
Rev.	Date	Description	Approved
NORTH CAROLINA DEPARTMENT OF TRANSPORTATION ROADWAY DESIGN LIGHTING/ELECTRICAL SECTION HIGH MOUNT FOUNDATION AND HIGH MOUNT LED LUMINAIRE DETAILS I-95/SR2339 INTERCHANGE JOHNSTON COUNTY			
Drawn By:	RGH	Approved By:	[Signature]
Dwg No.:			

