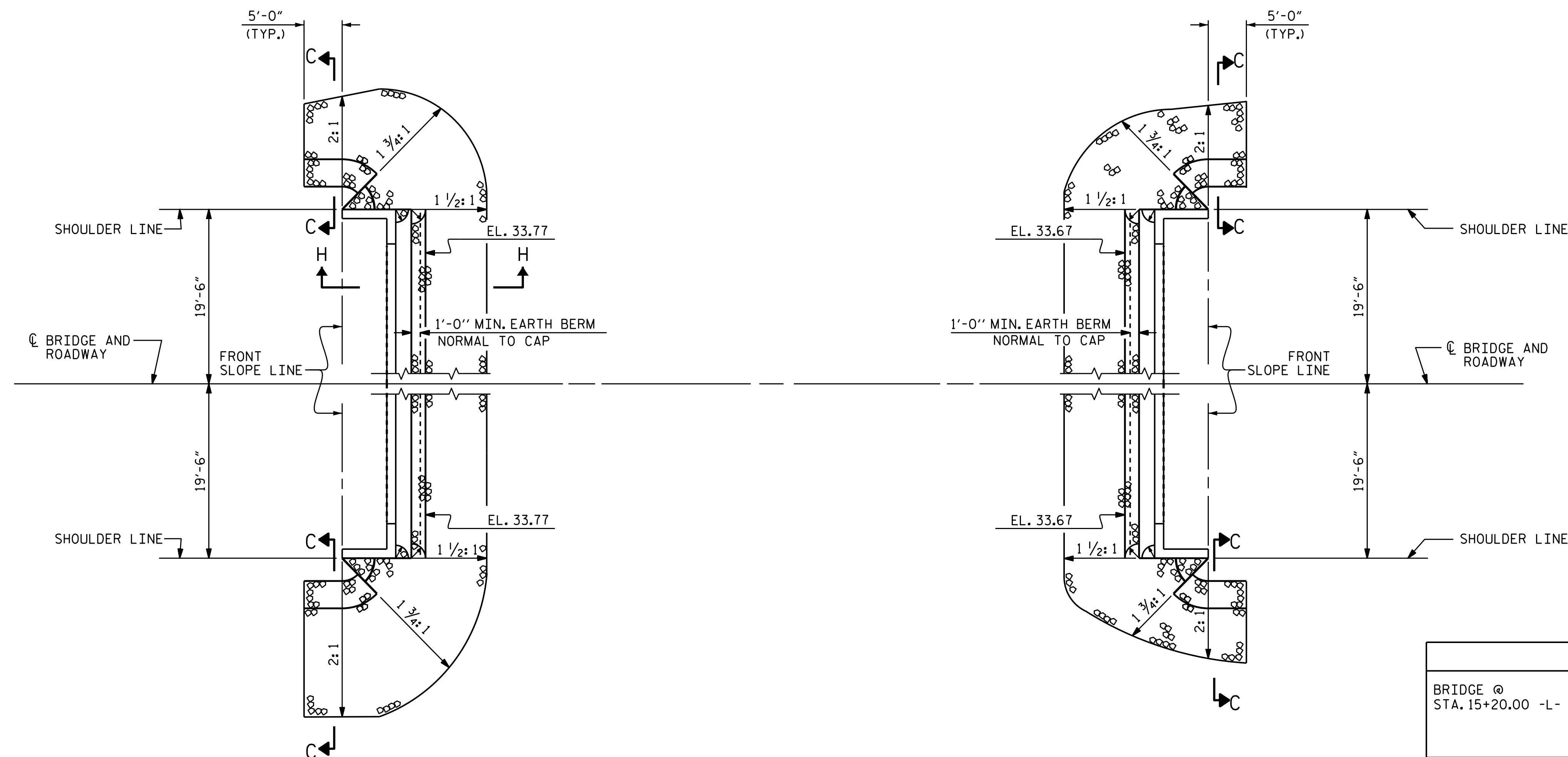
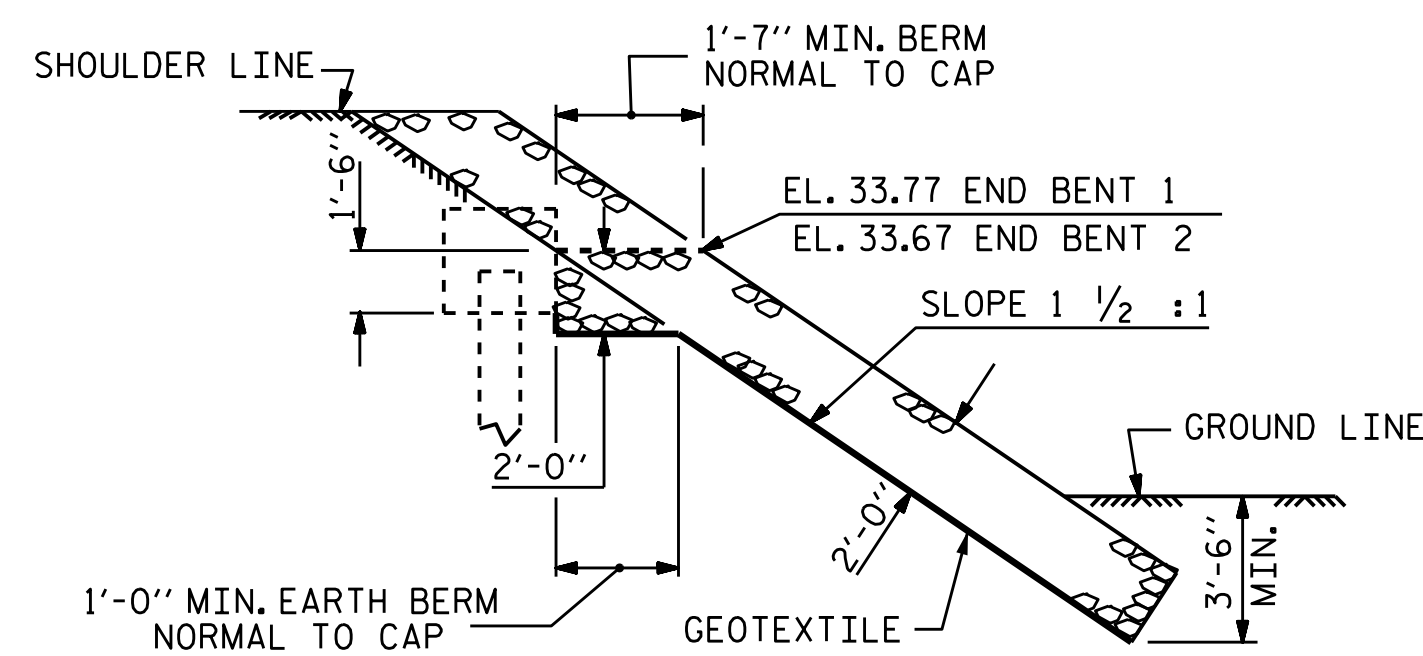


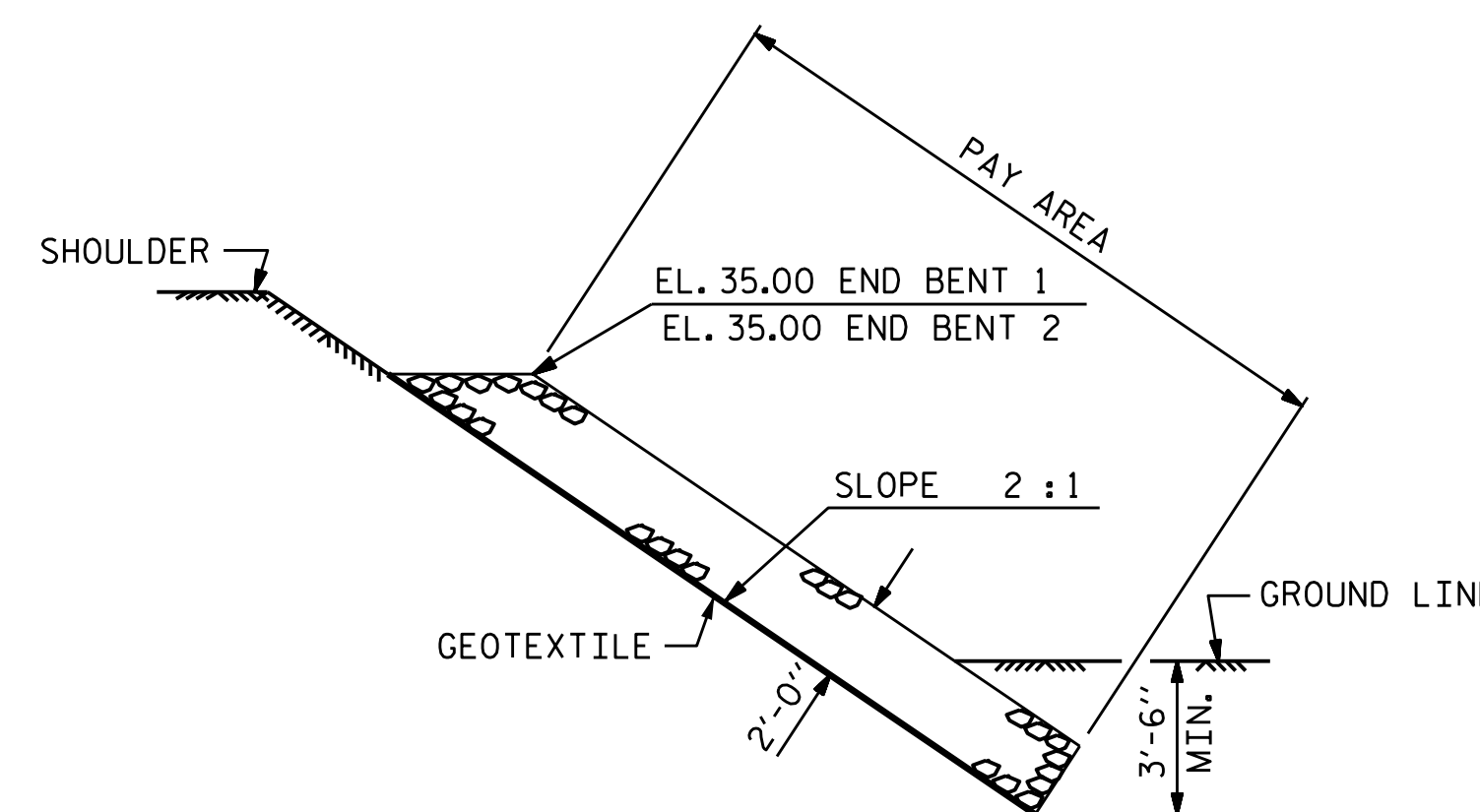
NOTES :  
FOR BERM WIDTH DIMENSIONS, SEE GENERAL DRAWING.



ESTIMATED QUANTITIES			
BRIDGE @ STA. 15+20.00 -L-	RIP RAP CLASS II (2'-0" THICK)	RIP RAP CLASS B	GEOTEXTILE FOR DRAINAGE
	TONS	TONS	SQUARE YARDS
END BENT 1	87.0	22.0	100
END BENT 2	74.0	17.0	85



SECTION H-H



SECTION C-C

PROJECT NO. B-5331  
COLUMBUS COUNTY  
STATION: 15+20.00 -L-



STATE OF NORTH CAROLINA  
DEPARTMENT OF TRANSPORTATION  
RALEIGH  
STANDARD  
= RIP RAP DETAILS =

ASSEMBLED BY : D. SHACKELFORD	DATE : 01/15
CHECKED BY : J.P. ADAMS	DATE : 02/15
DRAWN BY : REK 1/84	REV. 5/1/06R TLA/GM
CHECKED BY : RDU 1/84	REV. 10/11/II MAA/GM
	REV. 12/21/II MAA/GM

DocuSigned by:  
Kristy W. Alejo  
9/23/2015

REVISIONS						SHEET NO.
NO.	BY:	DATE:	NO.	BY:	DATE:	S-17
1			3			TOTAL SHEETS
2			4			18