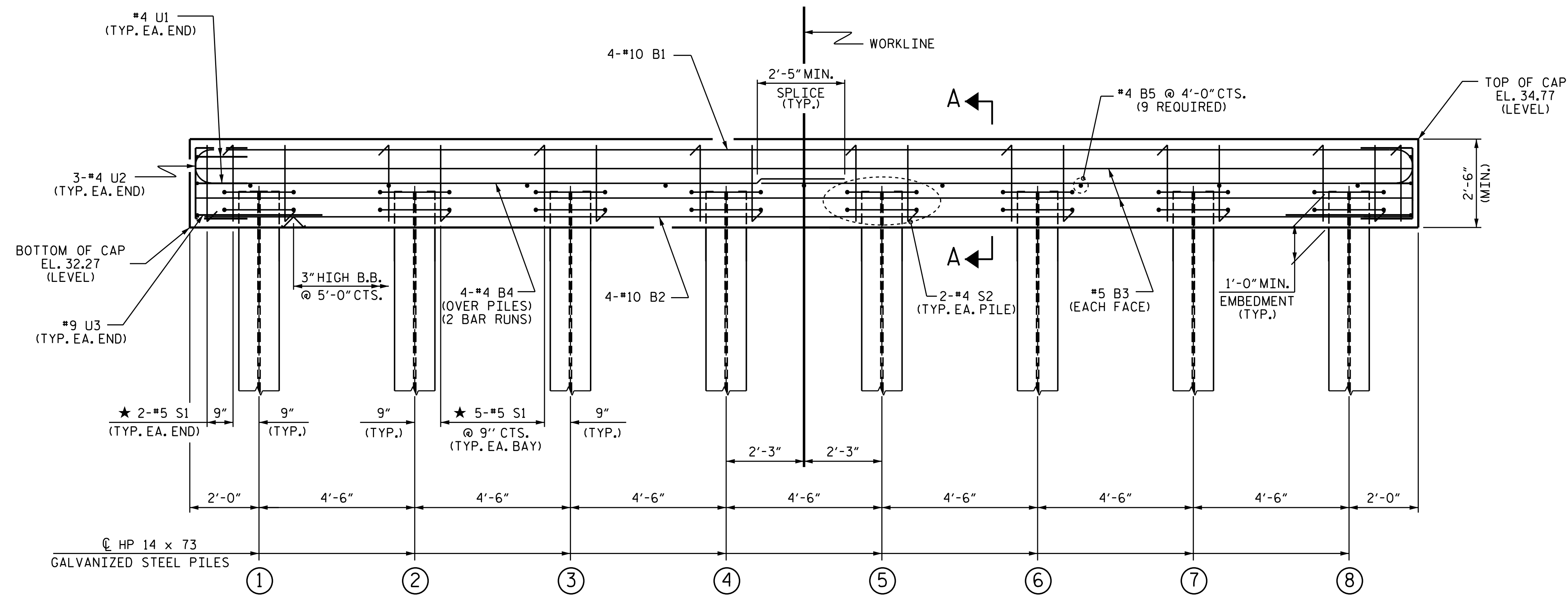
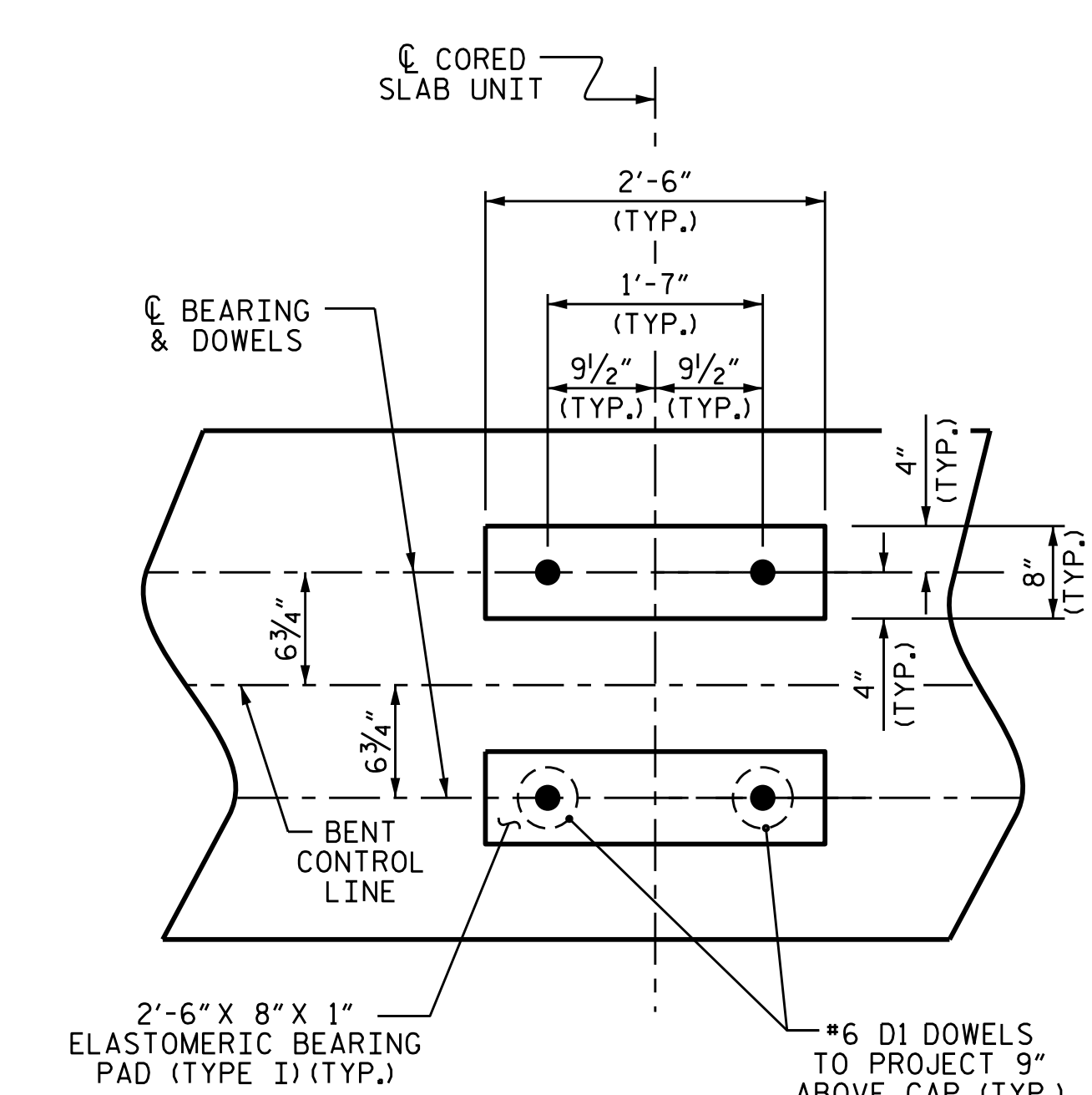
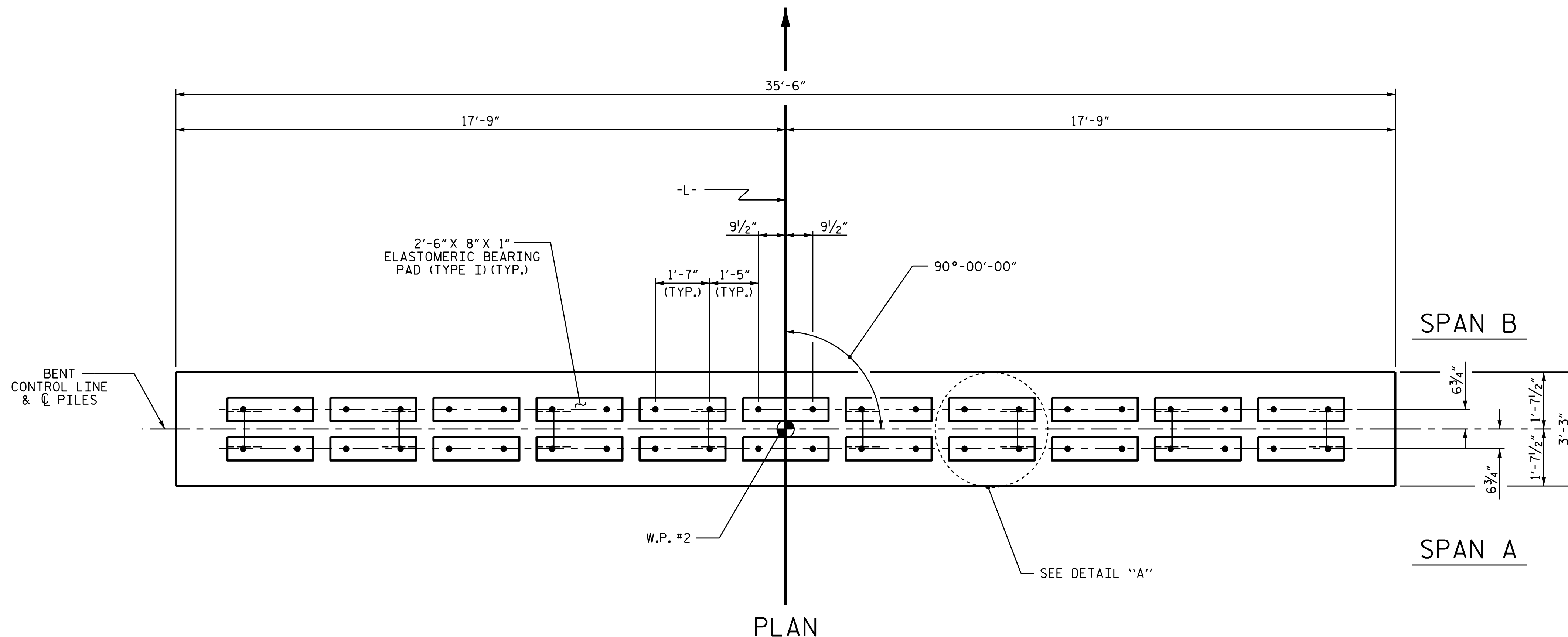


**NOTES**

- STIRRUPS IN CAP MAY BE SHIFTED AS NECESSARY TO CLEAR DOWELS.
- ★ INVERT ALTERNATE STIRRUPS.
- GALVANIZE THE TOP OF EACH INTERIOR BENT PILE A MINIMUM OF 40 FEET. GALVANIZE IN ACCORDANCE WITH SECTION 1076 OF THE STANDARD SPECIFICATIONS.

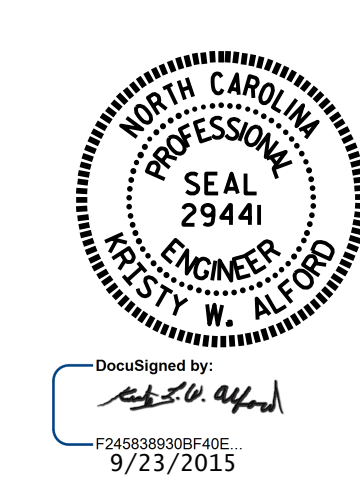


**ELEVATION**

FOR SECTION A-A, SEE SHEET 3 OF 3

PROJECT NO. B-5331  
COLUMBUS COUNTY  
 STATION: 15+20.00 -L-  
 SHEET 1 OF 3

STATE OF NORTH CAROLINA DEPARTMENT OF TRANSPORTATION RALEIGH					
SUBSTRUCTURE BENT 1					
REVISIONS					SHEET NO.
NO.	BY:	DATE:	NO.	BY:	DATE:
1			3		
2			4		
					TOTAL SHEETS 18



ASSEMBLED BY : D. SHACKELFORD	DATE : 01/15
CHECKED BY : J.P. ADAMS	DATE : 02/15
DRAWN BY : DGE	05/10
CHECKED BY : MKT	05/10
REV. 11/14	MAA/TMG