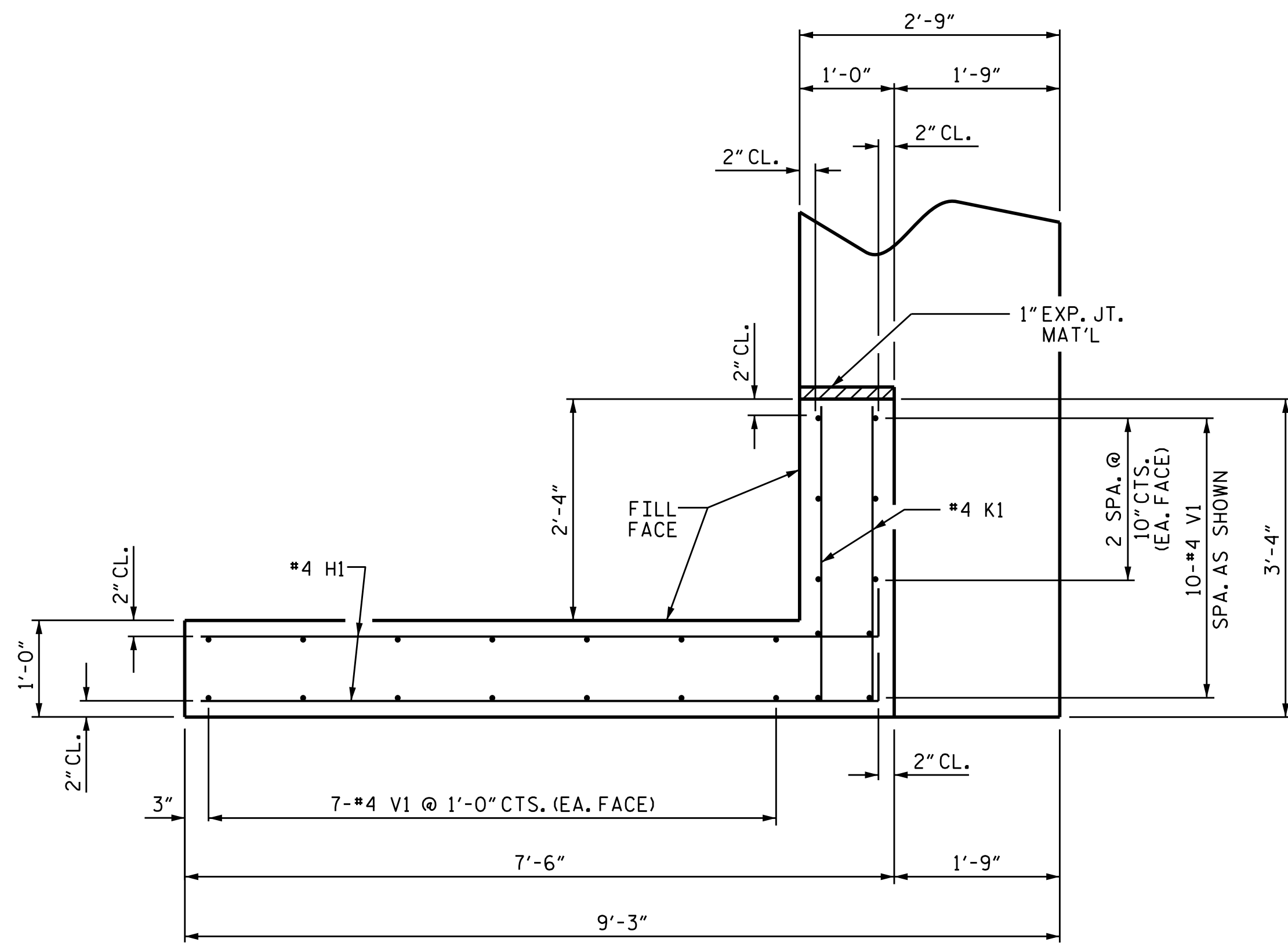
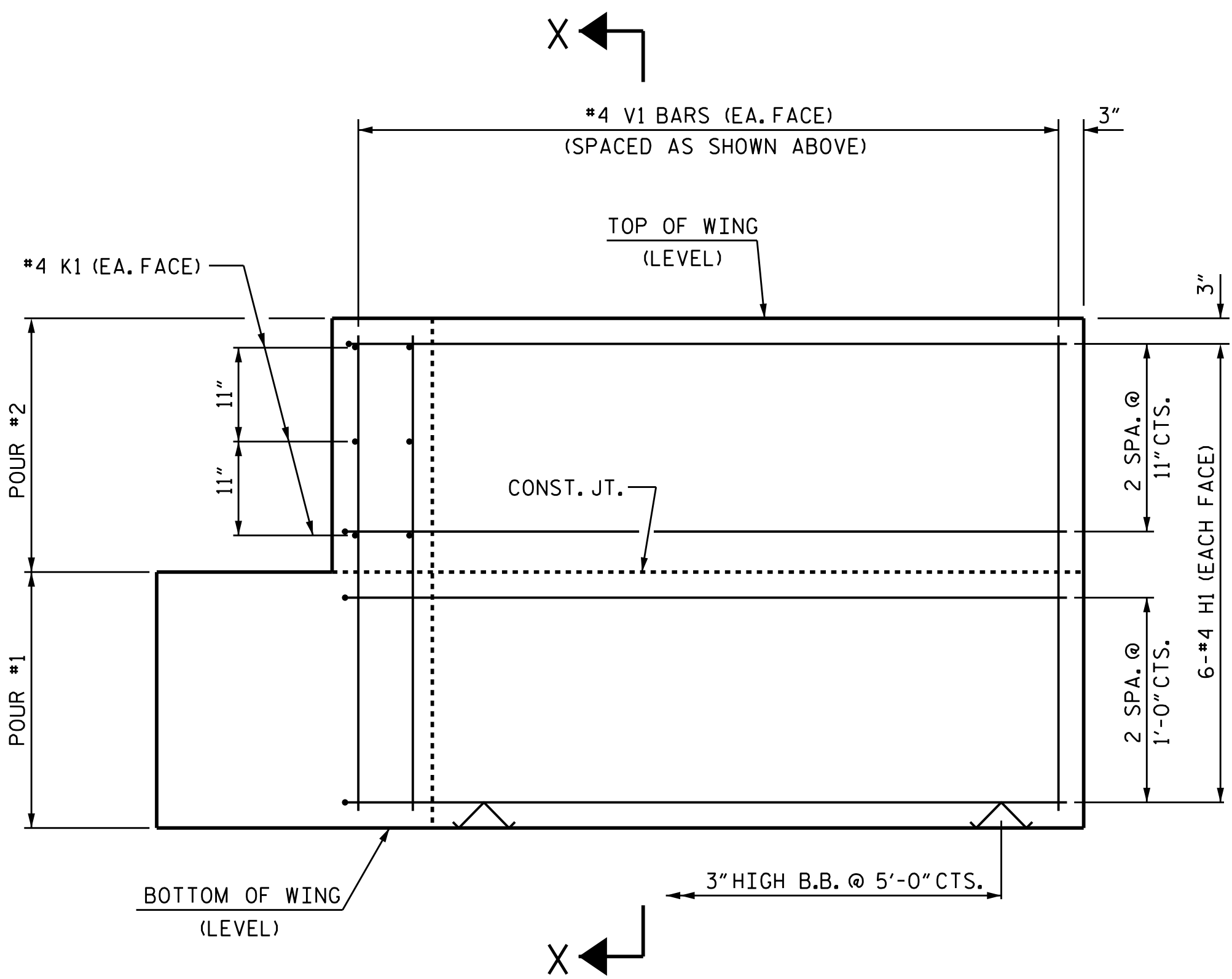


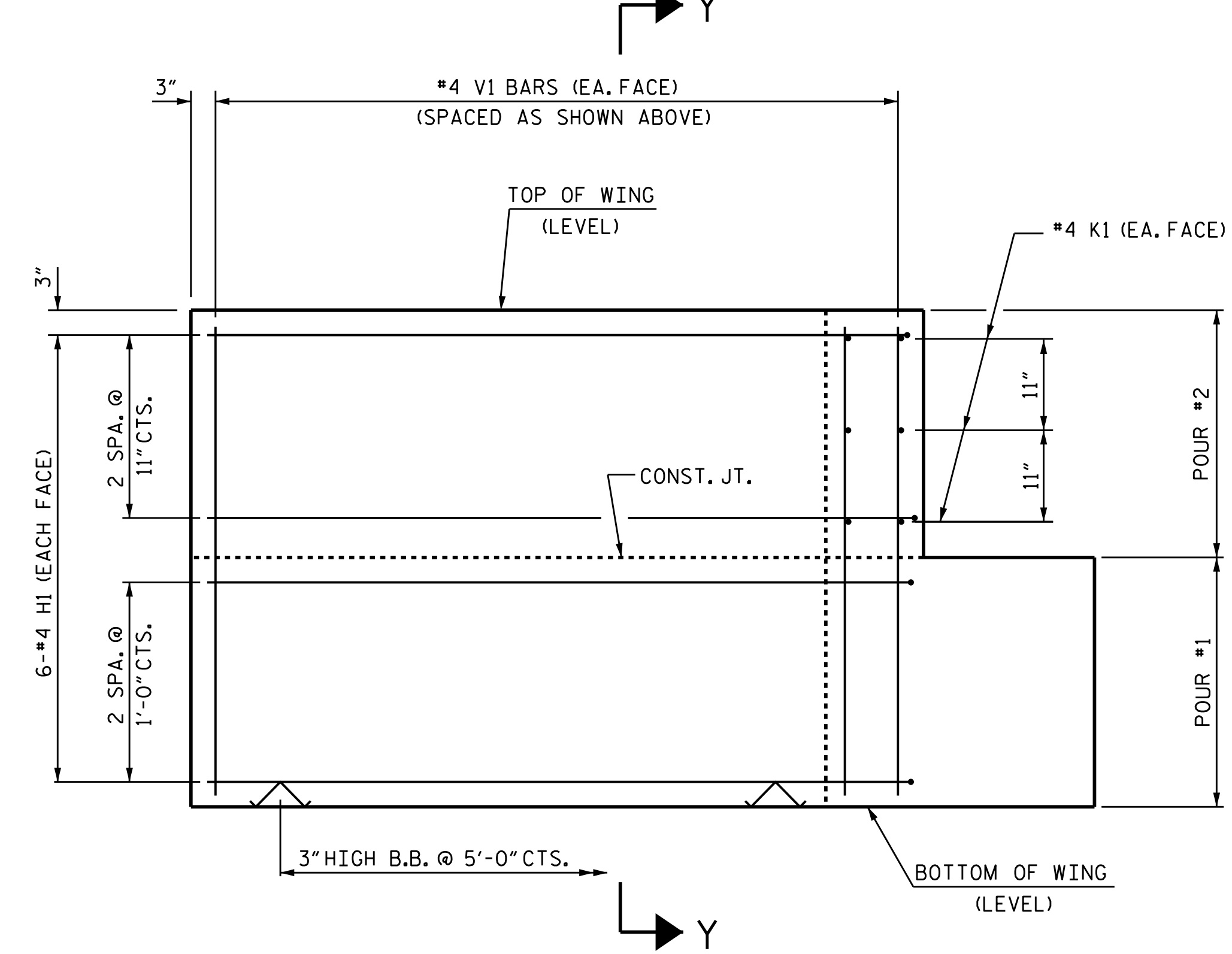
PLAN OF WING (W1)



PLAN OF WING (W2)

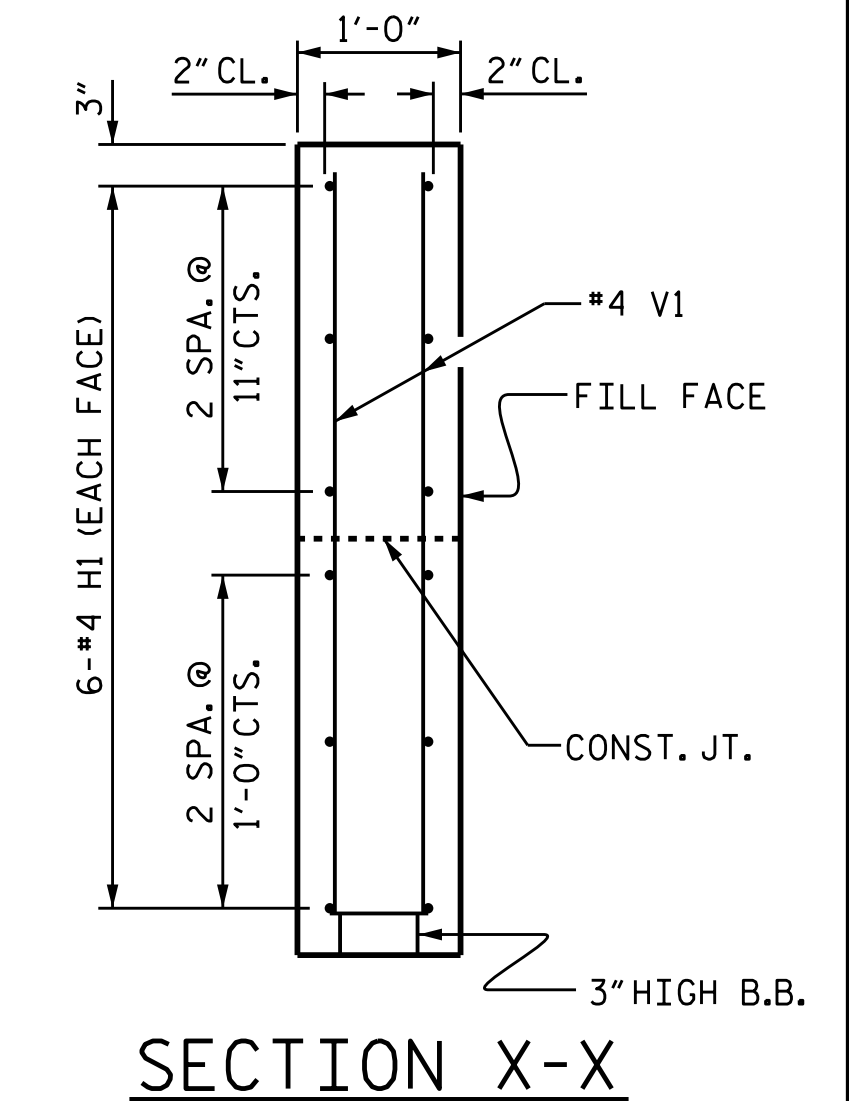


ELEVATION OF WING (W1)

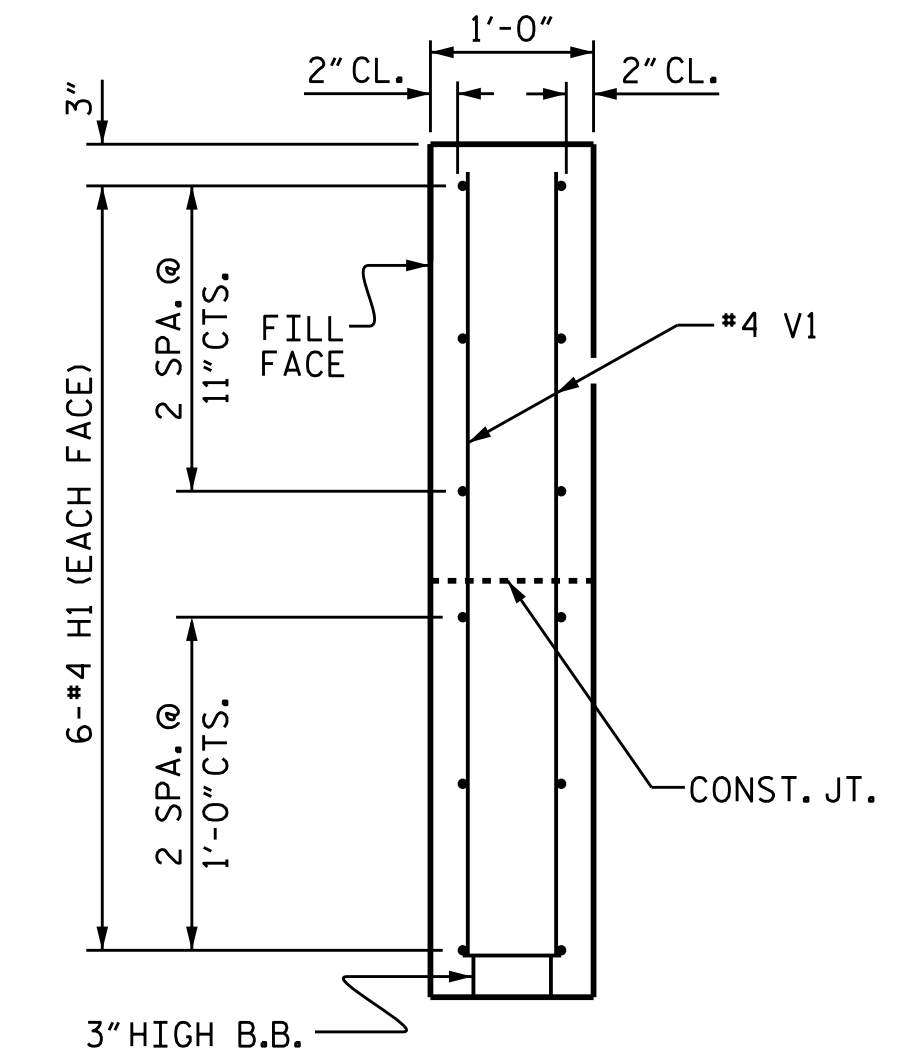


ELEVATION OF WING (W2)

WING DETAILS



SECTION X-X



SECTION Y-Y

PROJECT NO. B-5331
 COLUMBUS COUNTY
 STATION: 15+20.00 -L-

SHEET 3 OF 4



STATE OF NORTH CAROLINA
 DEPARTMENT OF TRANSPORTATION
 RALEIGH

SUBSTRUCTURE
 END BENT
 WING DETAILS

ASSEMBLED BY : D. SHACKELFORD	DATE : 01/15
CHECKED BY : J.P. ADAMS	DATE : 02/15
DRAWN BY : DGE	02/10
CHECKED BY : MKT	02/10
REV. 4/15	MAA/TMG

REVISIONS						SHEET NO.	
NO.	BY:	DATE:	NO.	BY:	DATE:	S-12	
1			3			TOTAL SHEETS	
2			4			18	

23-SEP-2015 09:26
 R:\Structures\Plans\Sub.Draw\B-5331.SD.E*.dgn
 jpodms