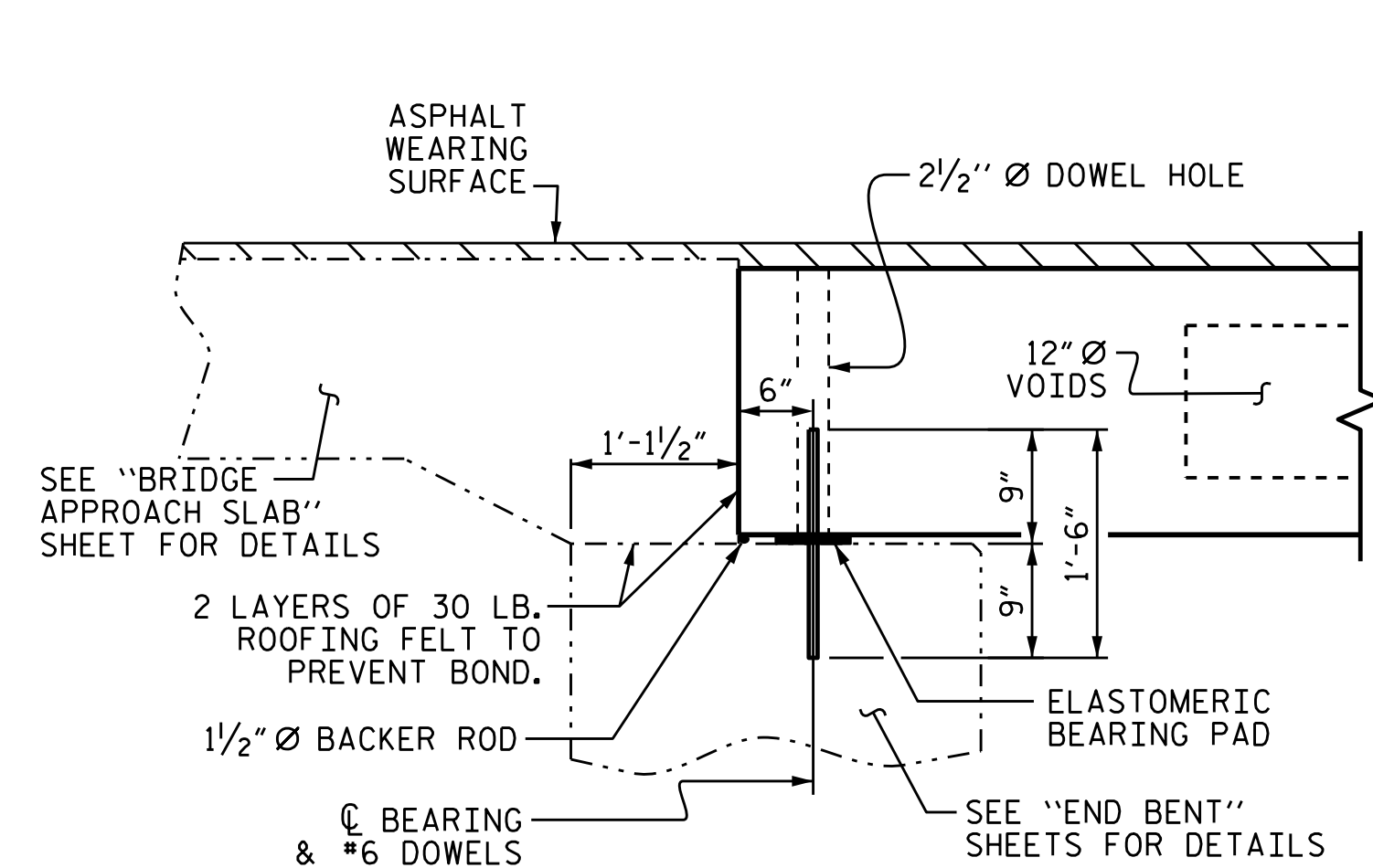


HALF SECTION AT INTERMEDIATE DIAPHRAGMS
HALF SECTION THROUGH VOIDS

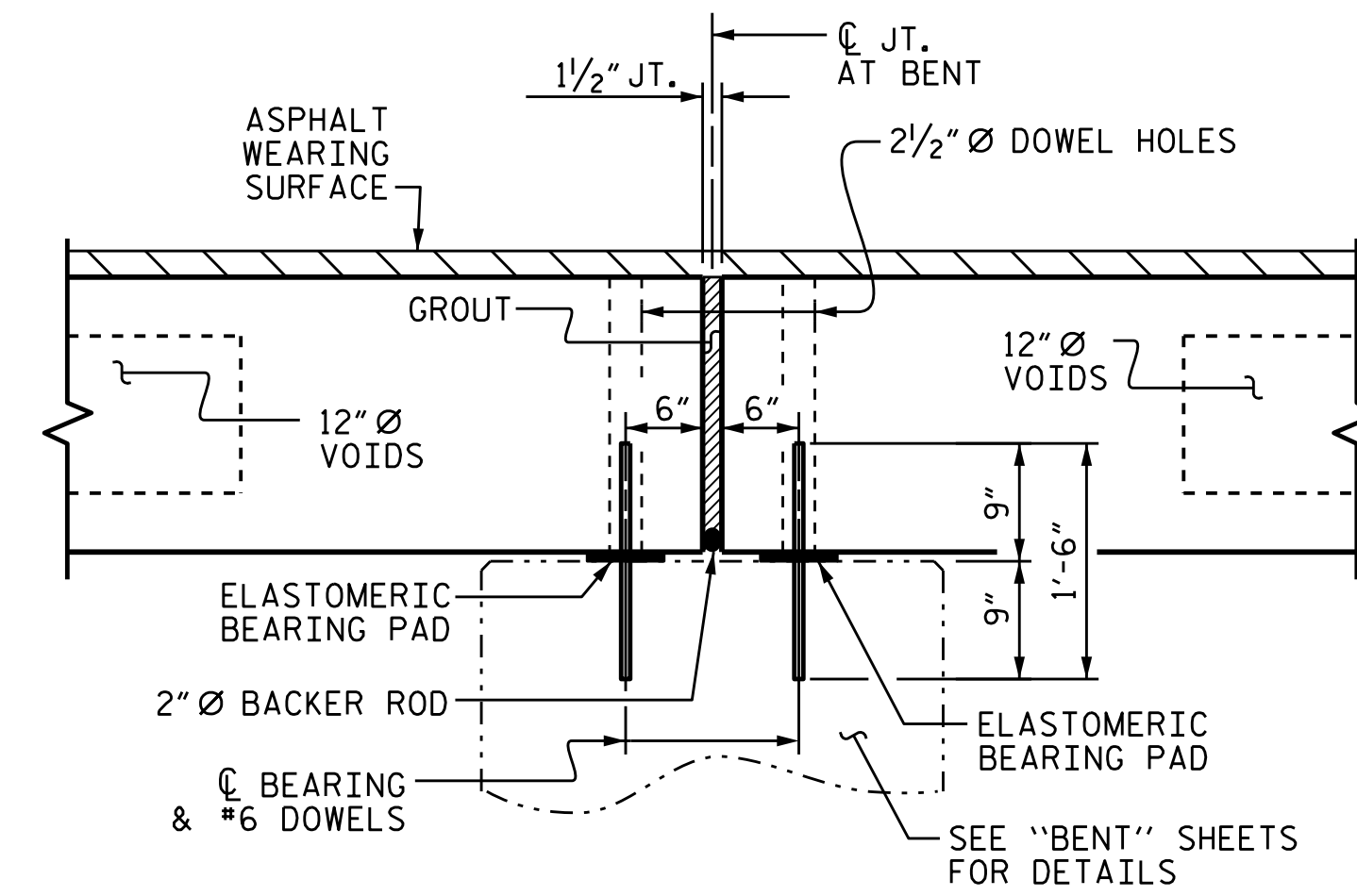
TYPICAL SECTION

* - THE MAXIMUM BARRIER RAIL HEIGHT AND ASPHALT THICKNESS IS SHOWN. THE HEIGHT OF THE BARRIER RAIL AND ASPHALT THICKNESS VARIES WHILE THE TOP OF THE BARRIER RAIL FOLLOWS THE PROFILE OF THE GUTTERLINE. FOR RAIL HEIGHT DETAILS AND ASPHALT THICKNESS SEE THE "VERTICAL CONCRETE BARRIER RAIL SECTION" DETAIL.

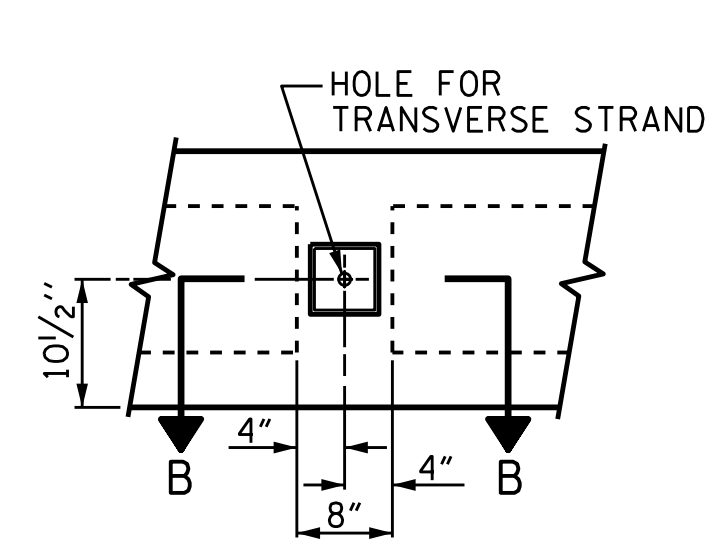
FIXED END
FIXED END
FIXED END



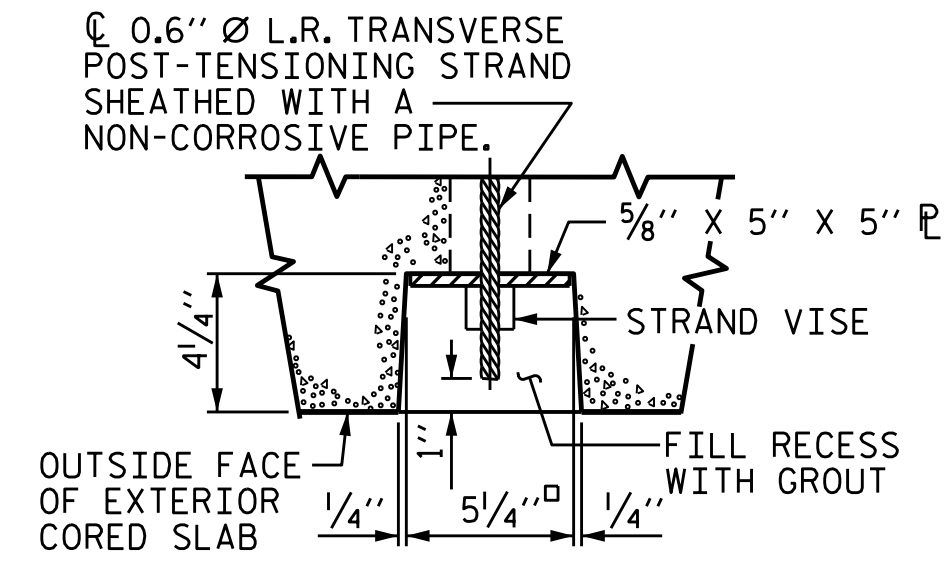
SECTION AT END BENT



SECTION AT BENT

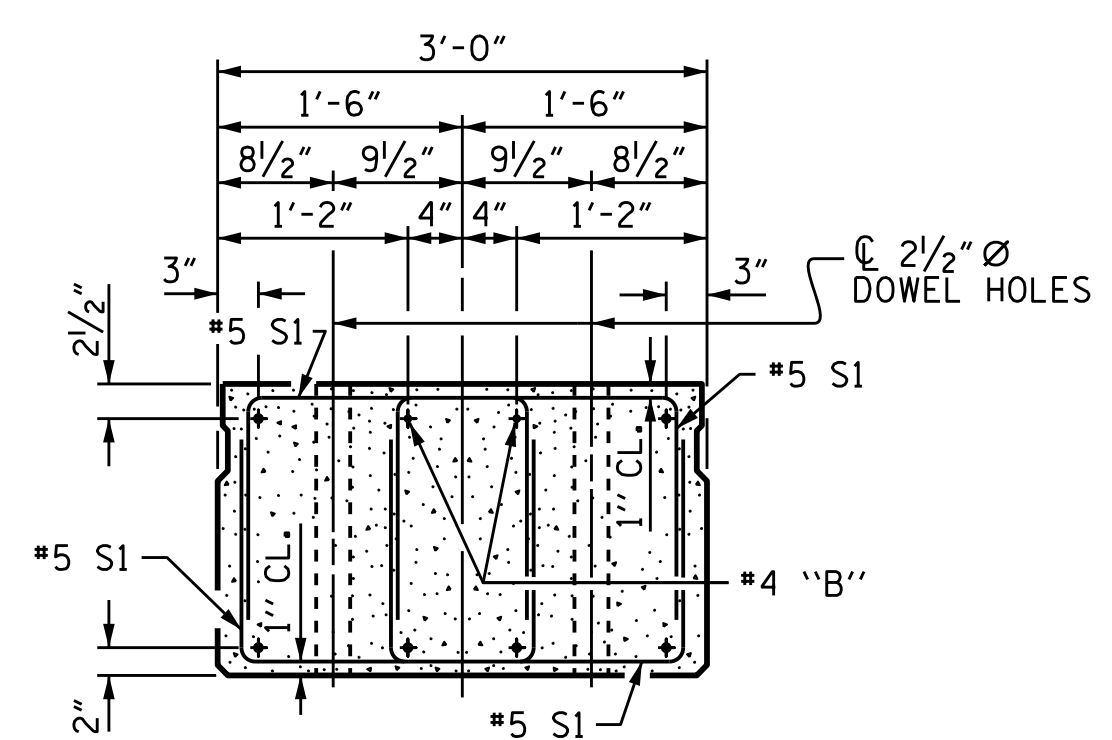


ELEVATION VIEW



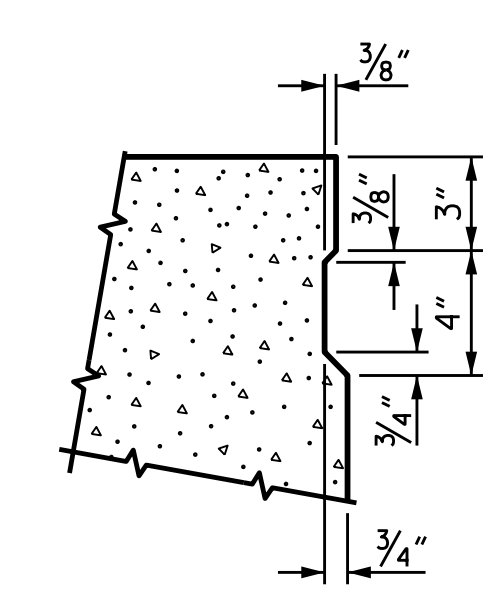
SECTION B-B

GROUTED RECESS AT END OF POST-TENSIONED STRAND OF CORED SLABS



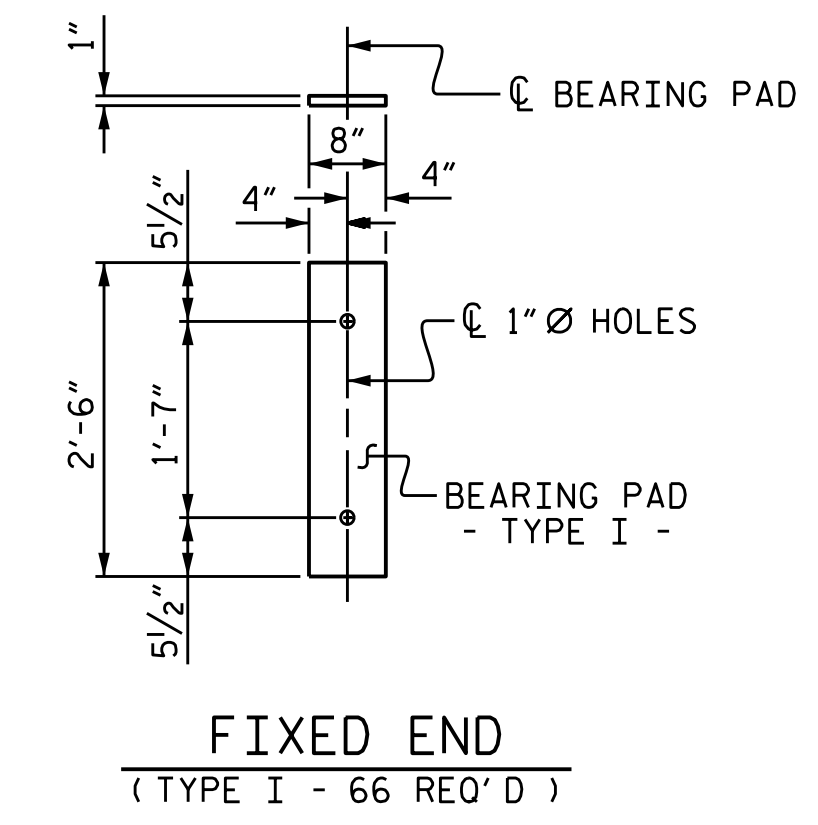
END ELEVATION

SHOWING PLACEMENT OF DOUBLE STIRRUPS AND LOCATION OF DOWEL HOLES. (STRAND LAYOUT NOT SHOWN.) INTERIOR SLAB UNIT SHOWN-EXTERIOR SLAB UNIT SIMILAR EXCEPT SHEAR KEY LOCATION.



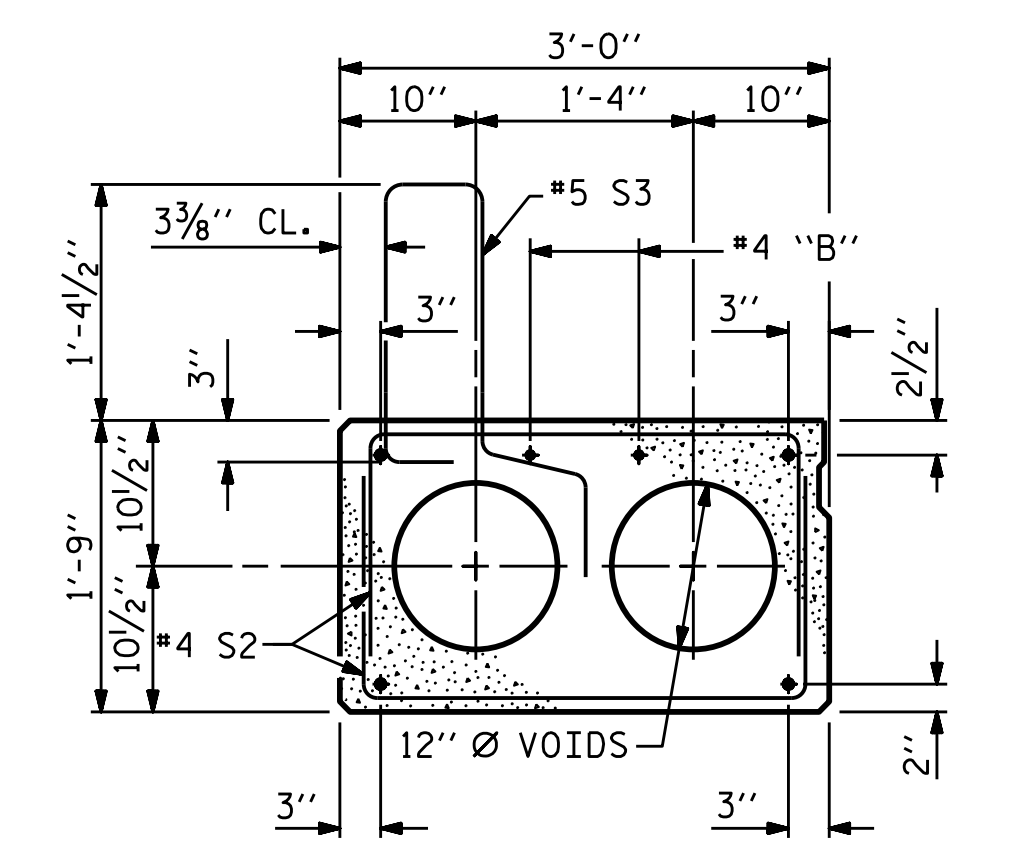
SHEAR KEY DETAIL

NOTE: OMIT SHEAR KEY ON OUTSIDE FACE OF EXTERIOR CORED SLABS.



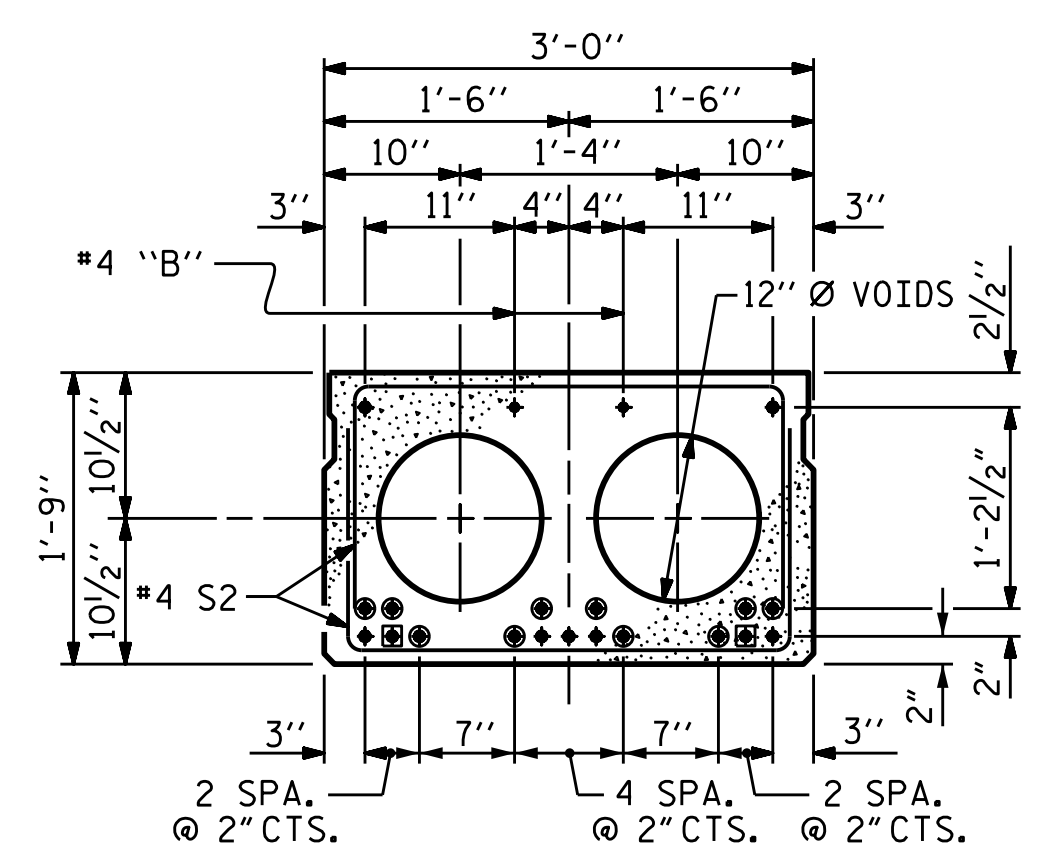
ELASTOMERIC BEARING DETAILS

ELASTOMER IN ALL BEARINGS SHALL BE 50 DUROMETER HARDNESS.



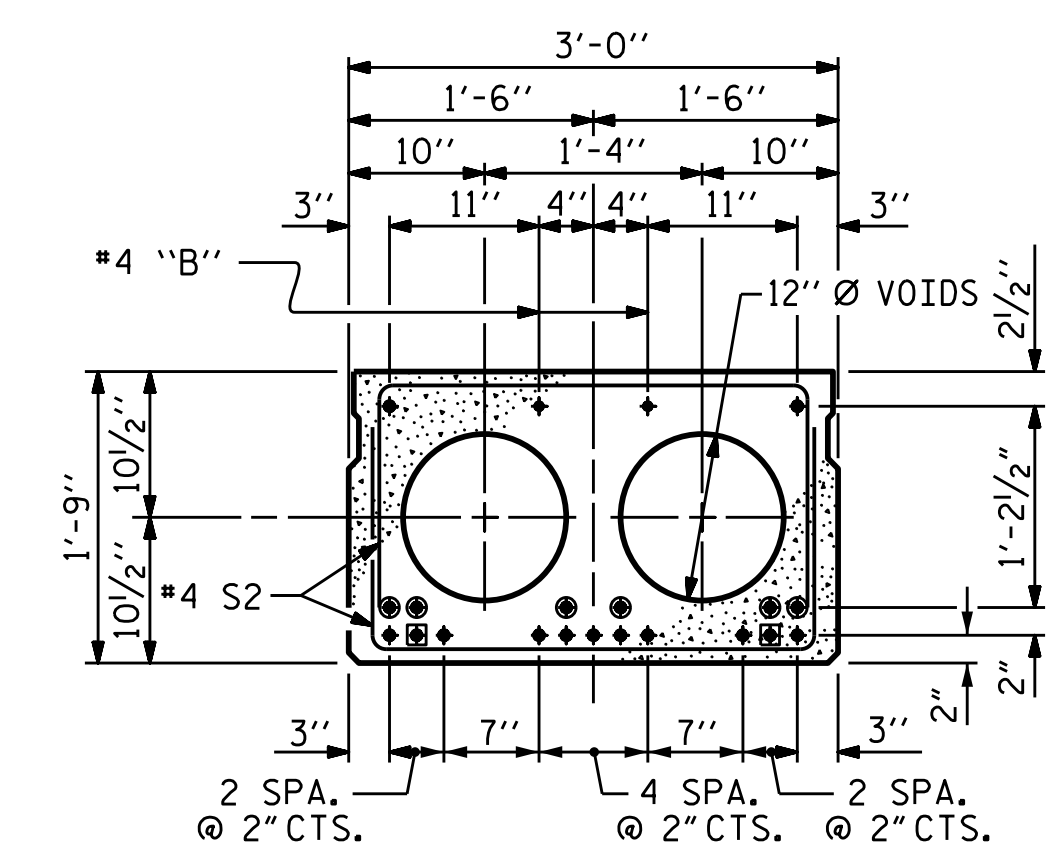
EXT. SLAB SECTION

(FOR PRESTRESSED STRAND LAYOUT, SEE INTERIOR SLAB SECTION.)



INTERIOR SLAB SECTION (25' UNIT)

(9 STRANDS REQUIRED)



INTERIOR SLAB SECTION (40' UNIT)

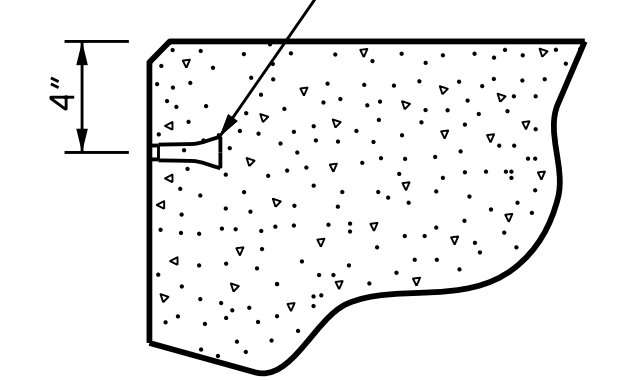
(13 STRANDS REQUIRED)

0.6" Ø LOW RELAXATION STRAND LAYOUT

- BOND SHALL BE BROKEN ON THESE STRANDS FOR A DISTANCE OF 2'-0" FROM END OF CORED SLAB UNIT. SEE STANDARD SPECIFICATIONS, ARTICLE 1078-7.
- OPTIONAL FULL LENGTH DEBONDED STRANDS. THESE STRANDS ARE NOT REQUIRED. IF THE FABRICATOR CHOOSES TO INCLUDE THESE STRANDS IN THE CORED SLAB UNIT, THE STRANDS SHALL BE DEBONDED FOR THE FULL LENGTH OF THE UNIT AT NO ADDITIONAL COST. SEE STANDARD SPECIFICATIONS, ARTICLE 1078-7.

DEBONDING LEGEND

PERMITTED THREADED INSERT CAST IN OUTSIDE FACE OF EXTERIOR UNIT AND RECESSED 3/8" SIZE TO BE DETERMINED BY CONTRACTOR.



THREADED INSERT DETAIL

PROJECT NO. B-5331
COLUMBUS COUNTY
STATION: 15+20.00 -L-

SHEET 1 OF 5



STATE OF NORTH CAROLINA
DEPARTMENT OF TRANSPORTATION
RALEIGH
STANDARD
3'-0" X 1'-9"
PRESTRESSED CONCRETE
CORED SLAB UNIT
90° SKEW

ASSEMBLED BY : D. SHACKELFORD	DATE : 01/15
CHECKED BY : J.P. ADAMS	DATE : 02/15
DRAWN BY : DGE	5/09
CHECKED BY : BCH	6/09
REV. 9/14	MAA/TMG

REVISIONS					SHEET NO. S-5 TOTAL SHEETS 18
NO.	BY:	DATE:	NO.	DATE:	
1			3		
2			4		