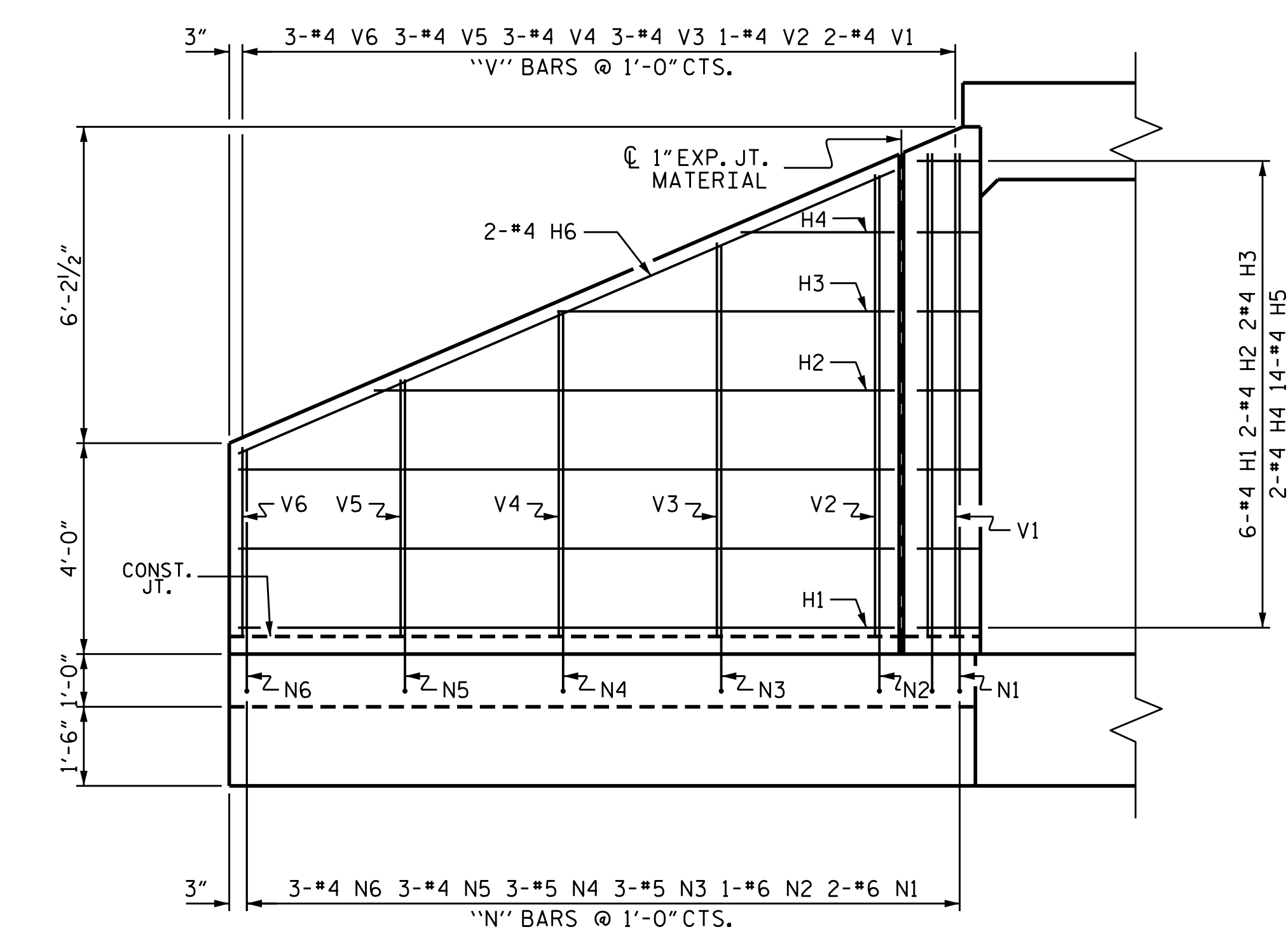
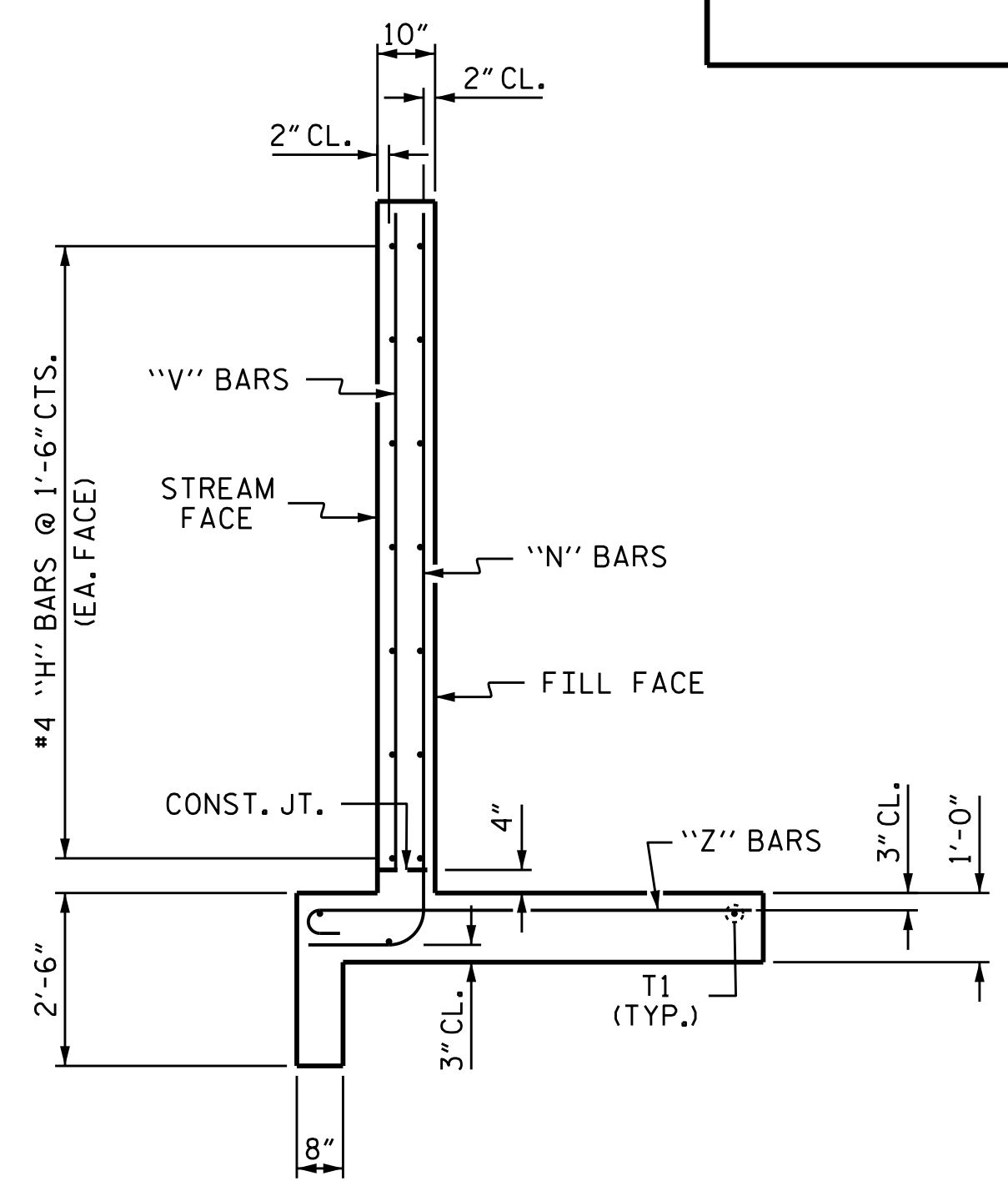


PLAN



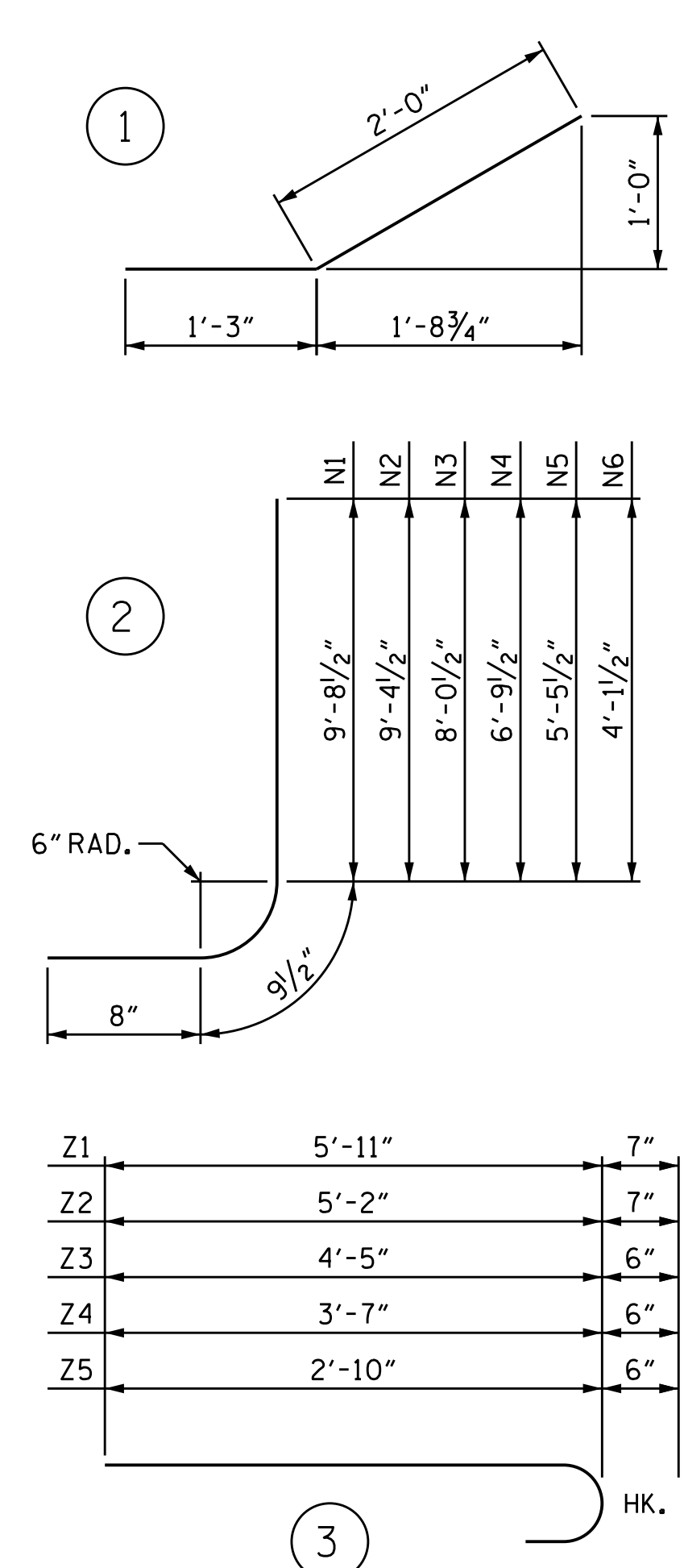
ELEVATION



TYPICAL WING SECTION

BAR TYPES

ALL BAR DIMENSIONS ARE OUT TO OUT.



BILL OF MATERIAL

BAR NO.	NO.	SIZE	TYPE	LENGTH	WEIGHT
H1	24	#4	STR	12'-5"	199
H2	8	#4	STR	9'-10"	53
H3	8	#4	STR	6'-5"	34
H4	8	#4	STR	2'-11"	16
H5	56	#4	1	3'-3"	122
H6	8	#4	STR	13'-6"	72
N1	8	#6	2	11'-2"	134
N2	4	#6	2	10'-10"	65
N3	12	#5	2	9'-6"	119
N4	12	#5	2	8'-3"	103
N5	12	#4	2	6'-11"	55
N6	12	#4	2	5'-7"	45
S1	12	#6	STR	6'-0"	108
T1	12	#5	STR	14'-3"	178
V1	8	#4	STR	9'-2"	49
V2	4	#4	STR	8'-9"	23
V3	12	#4	STR	7'-5"	59
V4	12	#4	STR	6'-2"	49
V5	12	#4	STR	4'-10"	39
V6	12	#4	STR	3'-7"	29
Z1	12	#5	3	6'-6"	81
Z2	12	#5	3	5'-9"	72
Z3	12	#4	3	4'-11"	39
Z4	12	#4	3	4'-1"	33
Z5	12	#4	3	3'-4"	27

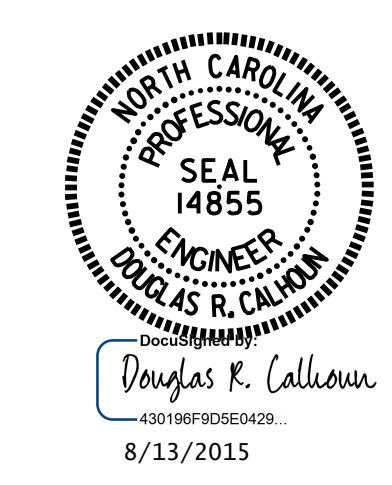
REINFORCING STEEL FOR 4 WINGS 1803 LBS

CLASS A CONCRETE		
4 WINGS		26.2 CY
2 HEADWALLS		2.4 CY
2 END CURTAIN WALLS		2.8 CY
TOTAL		31.4 CY

ASSEMBLED BY : A. SORSENGINH DATE : 9/2013
 CHECKED BY : T. KIRSCHBAUM DATE : 10/2013
 DRAWN BY : CCJ 10/99
 CHECKED BY : RWW 03/00

PROJECT NO. B-4780
MONTGOMERY COUNTY
 STATION: 15+07.00 -L-

SHEET 4 OF 6



STATE OF NORTH CAROLINA
 DEPARTMENT OF TRANSPORTATION
 RALEIGH
STANDARD WINGS
 FOR
CONCRETE BOX CULVERT
 H = 9'-0" SLOPE = 2:1
 90° SKEW

REVISIONS						SHEET NO.
NO.	BY:	DATE:	NO.	BY:	DATE:	C-4
1			3			TOTAL SHEETS
2			4			6

STD. NO. CW9009