

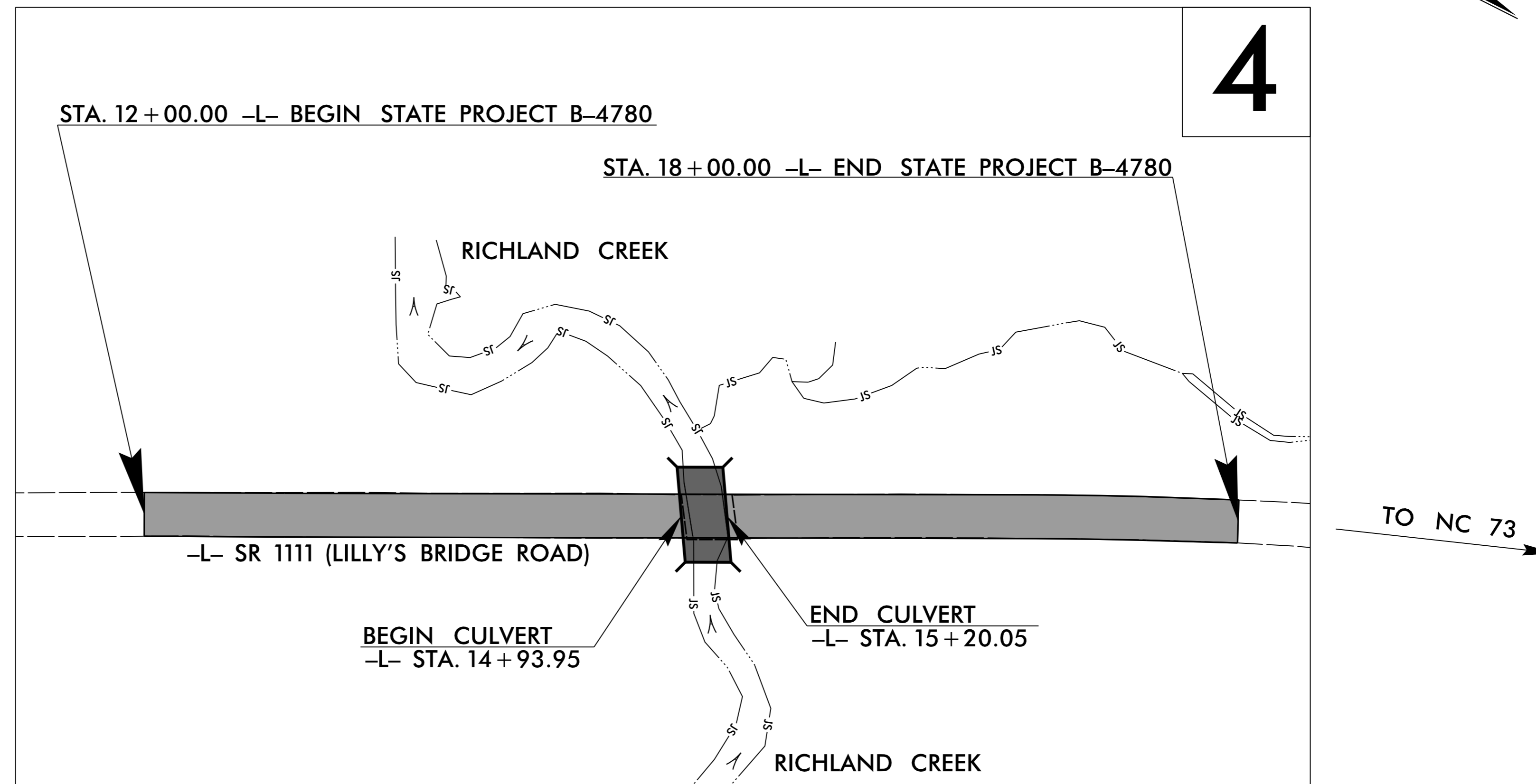
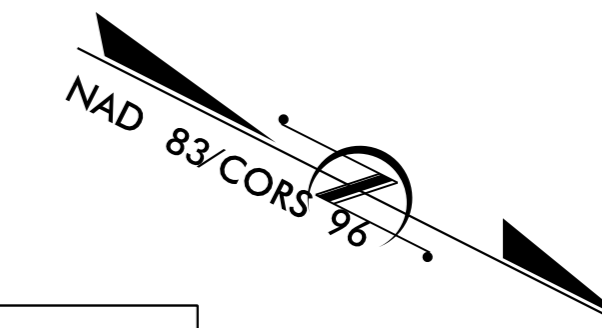
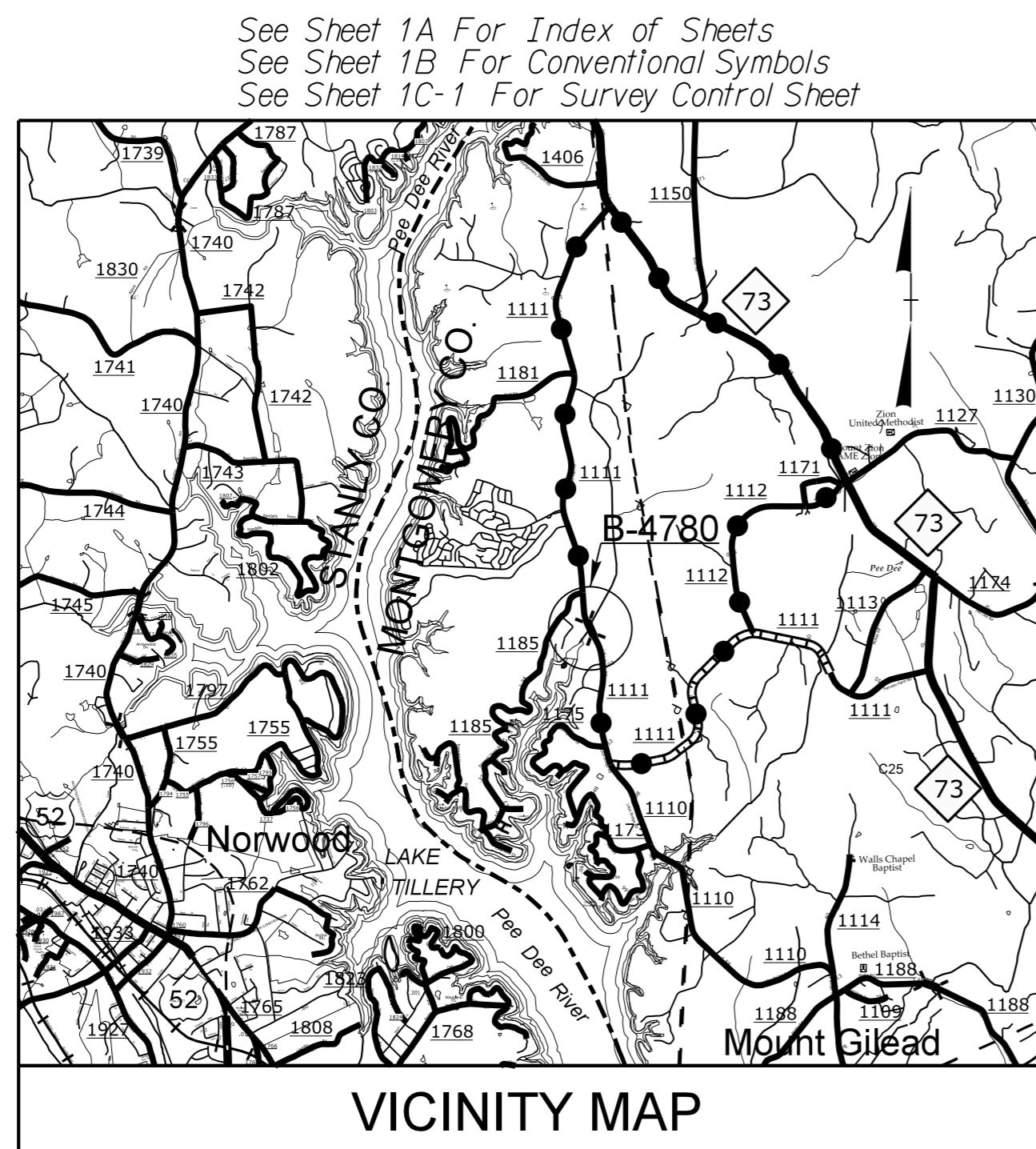
STATE	STATE PROJECT REFERENCE NO.	SHEET NO.	TOTAL SHEETS
N.C.	B-4780	1	
STATE PROJ. NO.	F.A. PROJ. NO.	DESCRIPTION	
38551.1.1	BRZ-1111(8)	PE	
38551.2.FD1	BRZ-1111(8)	RW & UTILITIES	
38551.3.FD1	BRZ-1111(8)	CONST.	

STATE OF NORTH CAROLINA
DIVISION OF HIGHWAYS

MONTGOMERY COUNTY

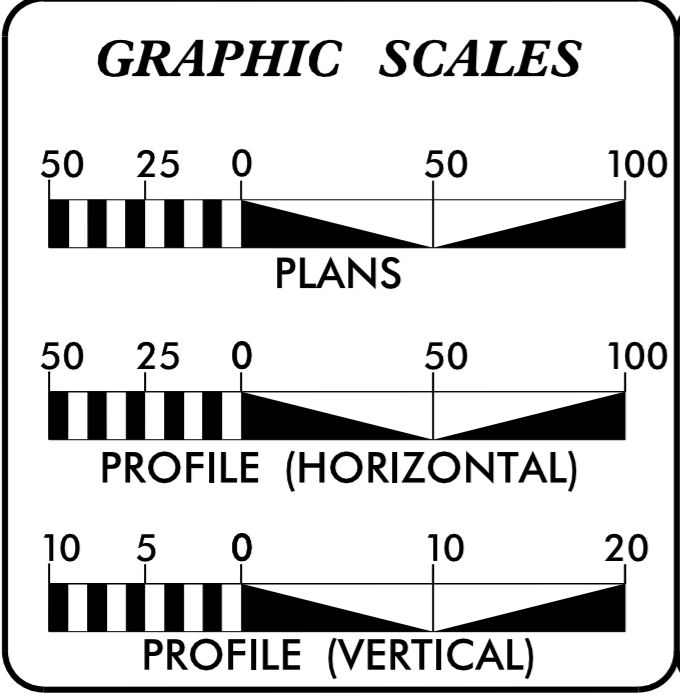
LOCATION: BRIDGE NO. 22 ON SR 1111 (LILLY'S BRIDGE ROAD)
OVER RICHLAND CREEK

TYPE OF WORK: GRADING, DRAINAGE, PAVING, AND CULVERT.



TIP PROJECT: B-4780

CONTRACT: C203616



DESIGN DATA

ADT 2015 =	1310
ADT 2035 =	2000
K =	8 %
D =	60 %
T =	11 % *
V =	55 MPH
* TTST =	3% DUAL = 8%
FUNC CLASS =	RURAL LOCAL
"SUBREGIONAL TIER"	

PROJECT LENGTH

LENGTH ROADWAY TIP PROJECT B-4780 =	0.109 MILES
LENGTH STRUCTURE TIP PROJECT B-4780 =	0.005 MILES
TOTAL LENGTH OF TIP PROJECT B-4780 =	0.114 MILES

Prepared In the Office of:
DIVISION OF HIGHWAYS
1000 Birch Ridge Dr., Raleigh NC, 27610

2012 STANDARD SPECIFICATIONS

RIGHT OF WAY DATE: FEBRUARY 17, 2014	JAMES A. SPEER, PE PROJECT ENGINEER
LETTING DATE: OCTOBER 20, 2015	DANIEL W. GARDNER, JR., PE PROJECT DESIGN ENGINEER

HYDRAULICS ENGINEER

6/22/2015
DocuSigned by:
D C Duffield
SIGNATURE: [Signature]

ROADWAY DESIGN ENGINEER

6/23/2015
DocuSigned by:
Daniel W. Gardner, Jr.
SIGNATURE: [Signature]

