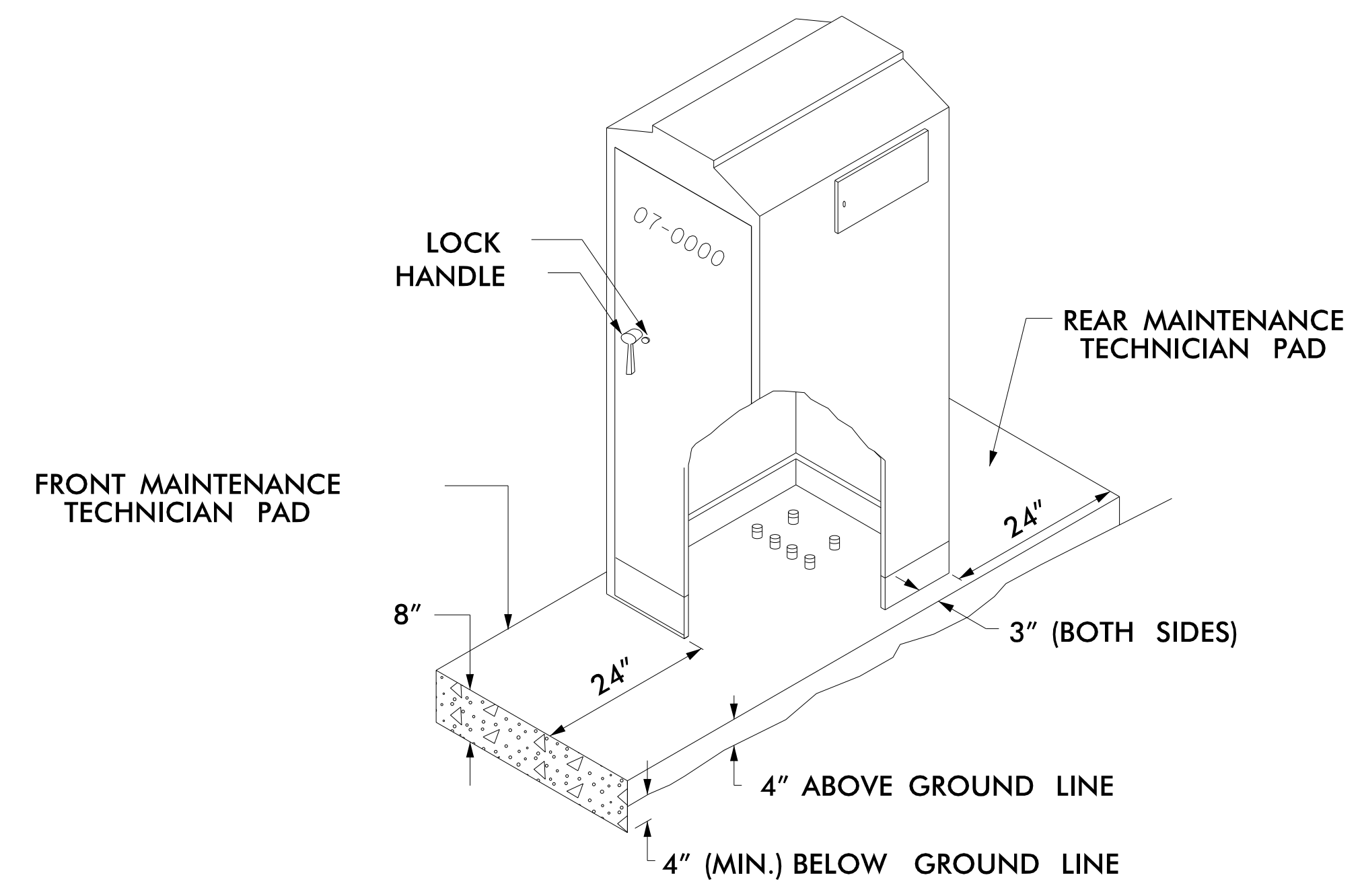
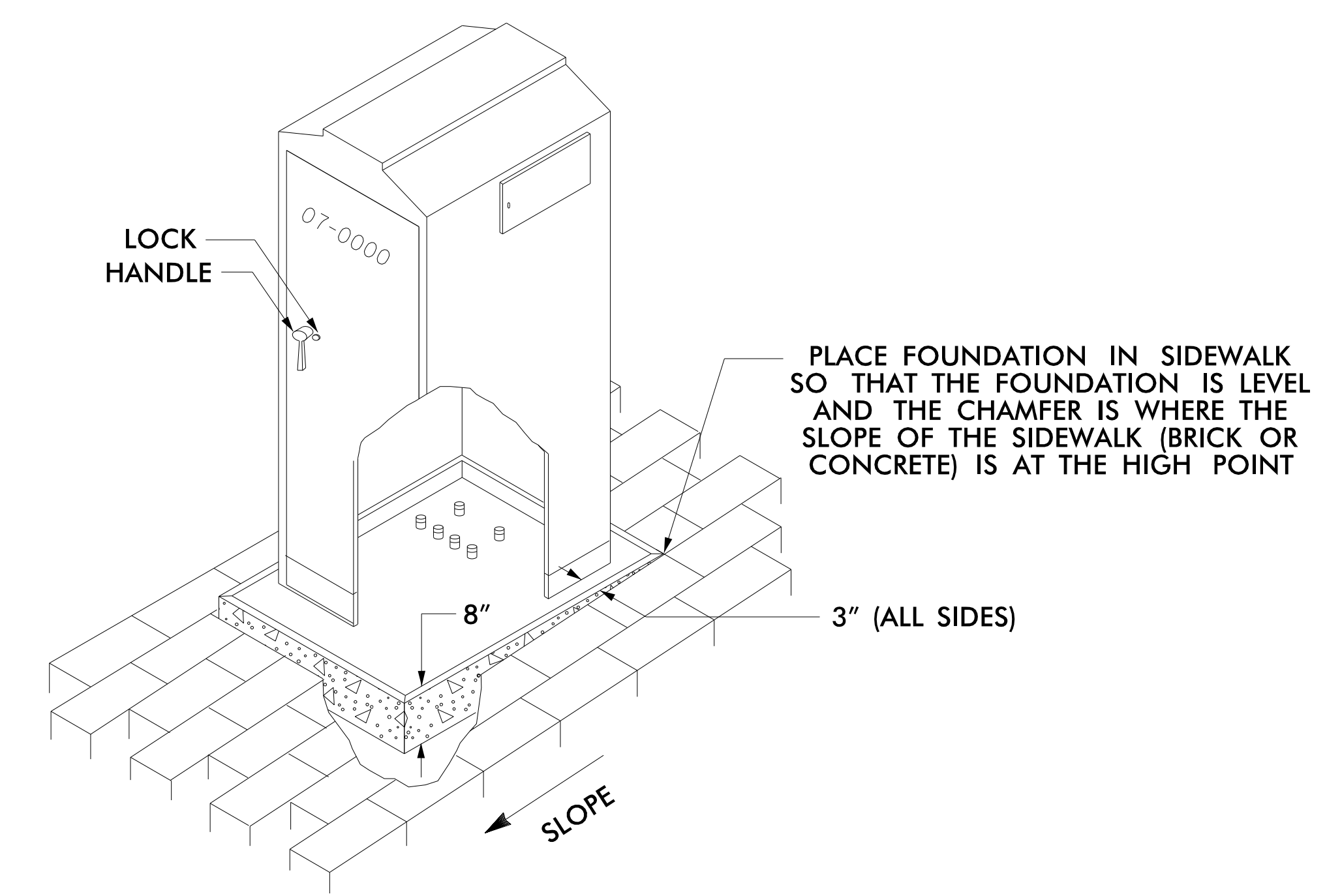


**TYPICAL BASE-MOUNTED CABINET  
NEW STANDARD FOUNDATION**



**TYPICAL BASE-MOUNTED CABINET  
NEW FOUNDATION IN SIDEWALK**



**NOTES**

1. STUB OUT SPARE 2" CONDUIT TO 12" BEYOND EDGE OF CABINET FOUNDATION.
2. SEAL SPARE CONDUIT WITH REMOVABLE CAP.
3. TOPS OF CONDUIT SHALL BE NO LESS THAN 2" AND NO MORE THAN 3" ABOVE FOUNDATION.

04-JUN-2015 16:49  
 T:\Product\ITSS\ITS\NC001\*100037777 - High Point Sig Sys\Special Detail\ITS-5.14.dgn  
 SLOC3653 AT LUS291201

**ATKINS** 1616 EAST MILLBROOK ROAD, SUITE 310  
 RALEIGH, NORTH CAROLINA 27609  
 (919) 876-6888 NCBEES #F-0326

Prepared for the Offices of:  750 Greenfield Parkway, Garner, NC 27529	High Point Signal System Base-Mounted Cabinet Foundation Details		SEAL  SEAL 019962 HENRY FRED BADGETT ENGINEER STATE OF NORTH CAROLINA
	Division 7    Guilford County    High Point	PLAN DATE: June 2015    REVIEWED BY: HA Badgett	
SCALE NTS	PREPARED BY: BJ Slocum	REVIEWED BY: SG Haynie	DocuSigned by:  6/5/2015 DATE
REVISIONS    INIT.    DATE			CADD Filename: ITS-5.14.dgn