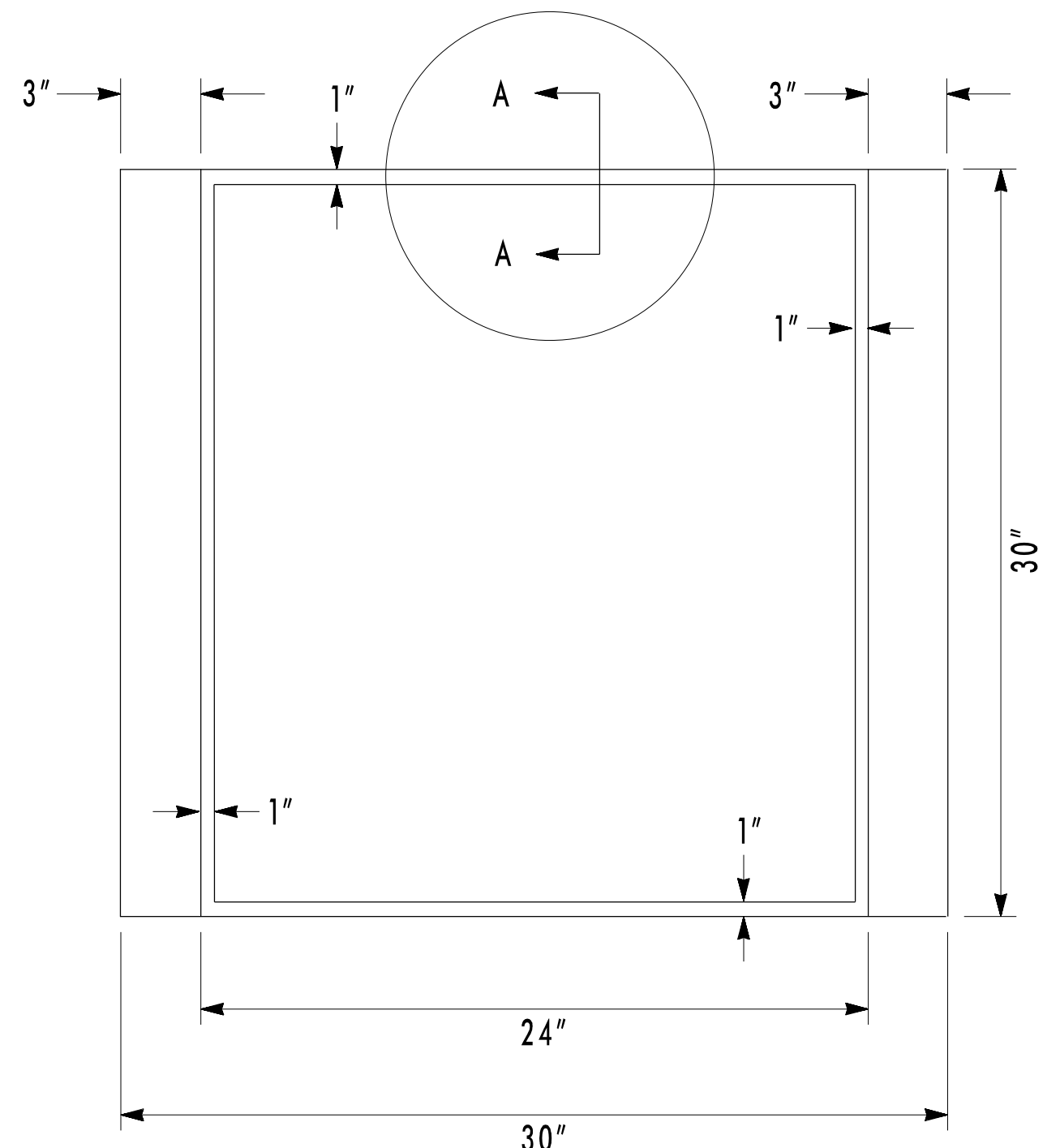
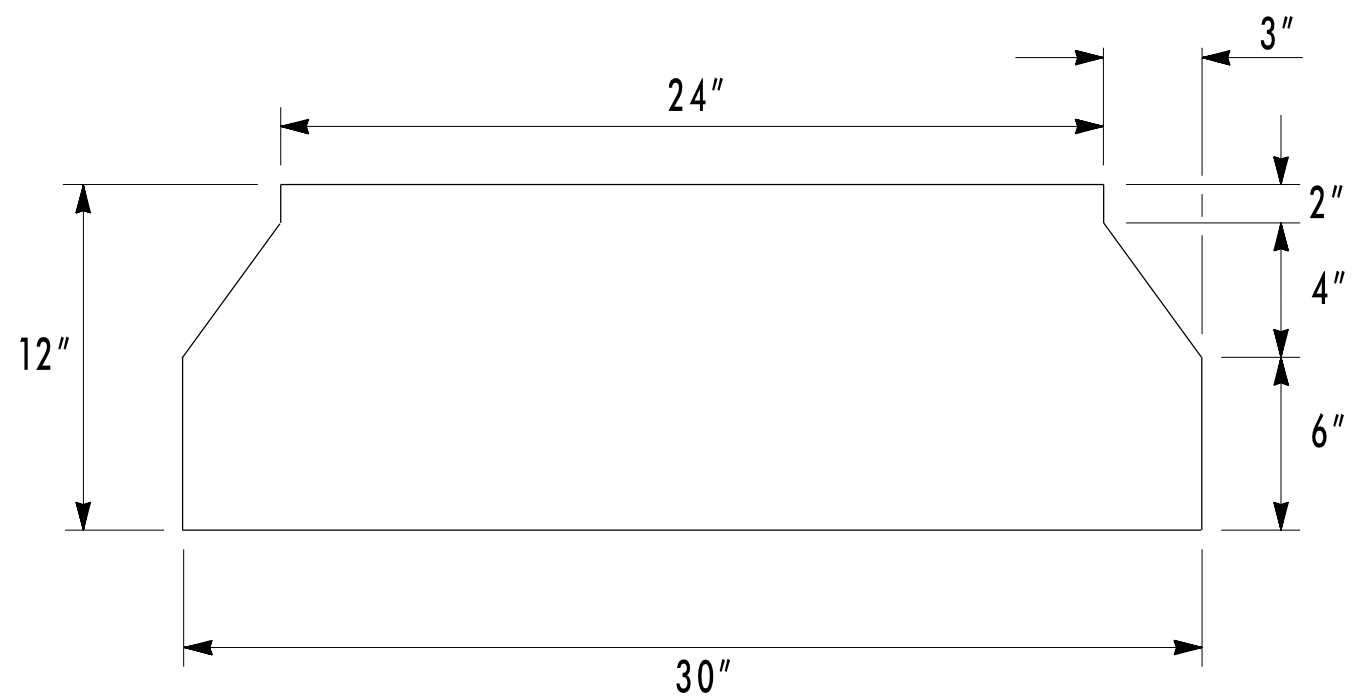


BOTTOM VIEW



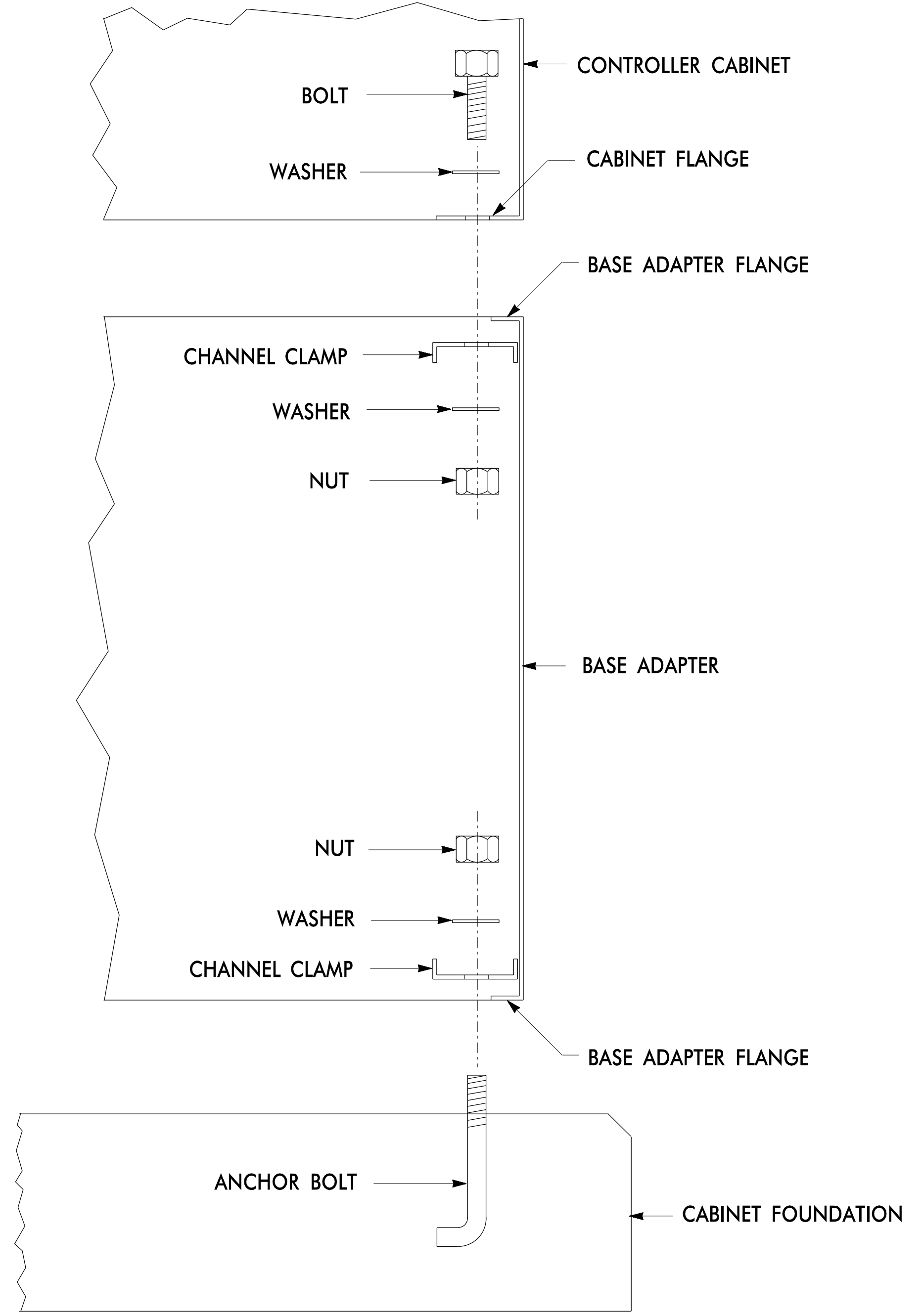
TOP VIEW



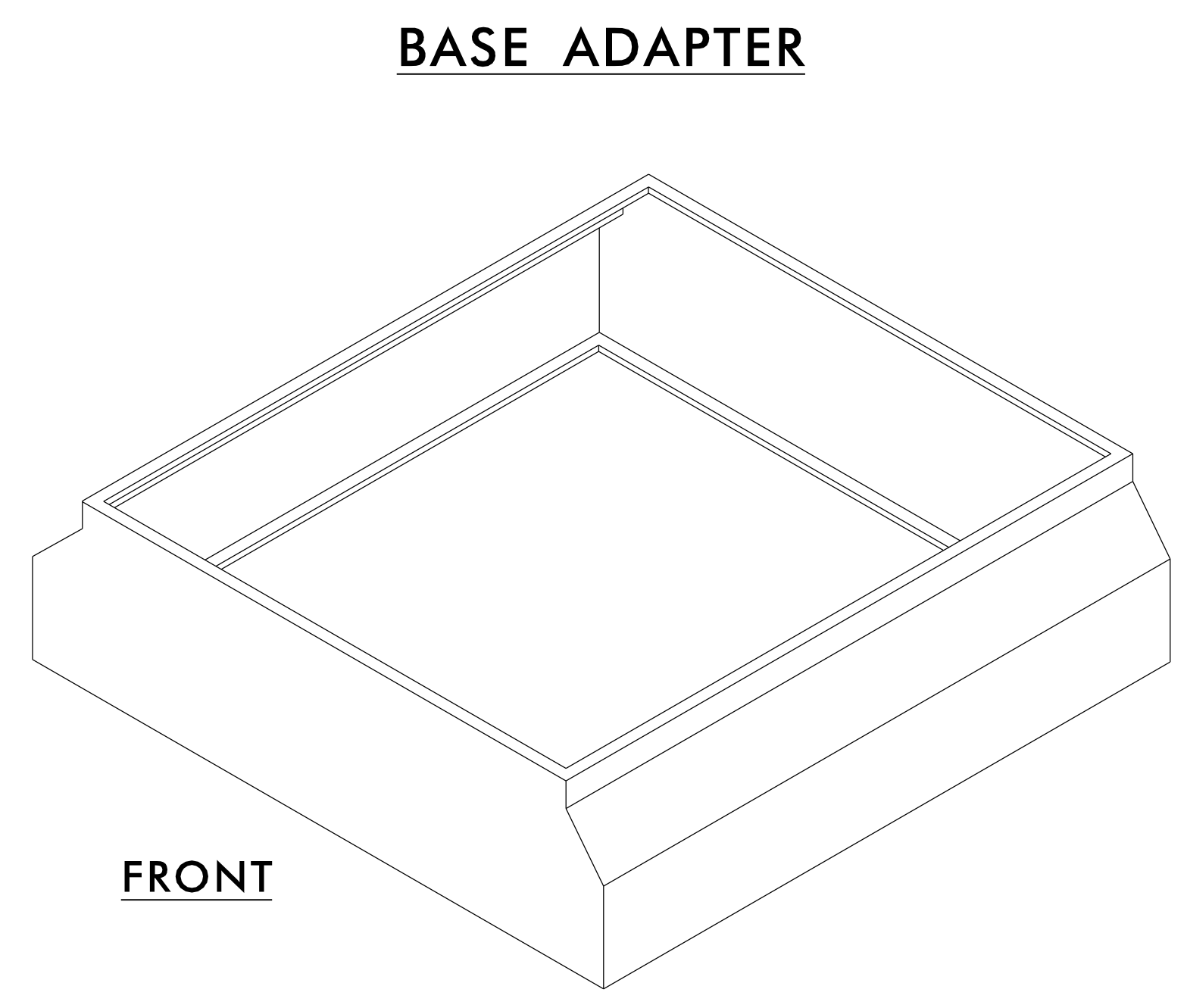
FRONT VIEW



RIGHT SIDE VIEW

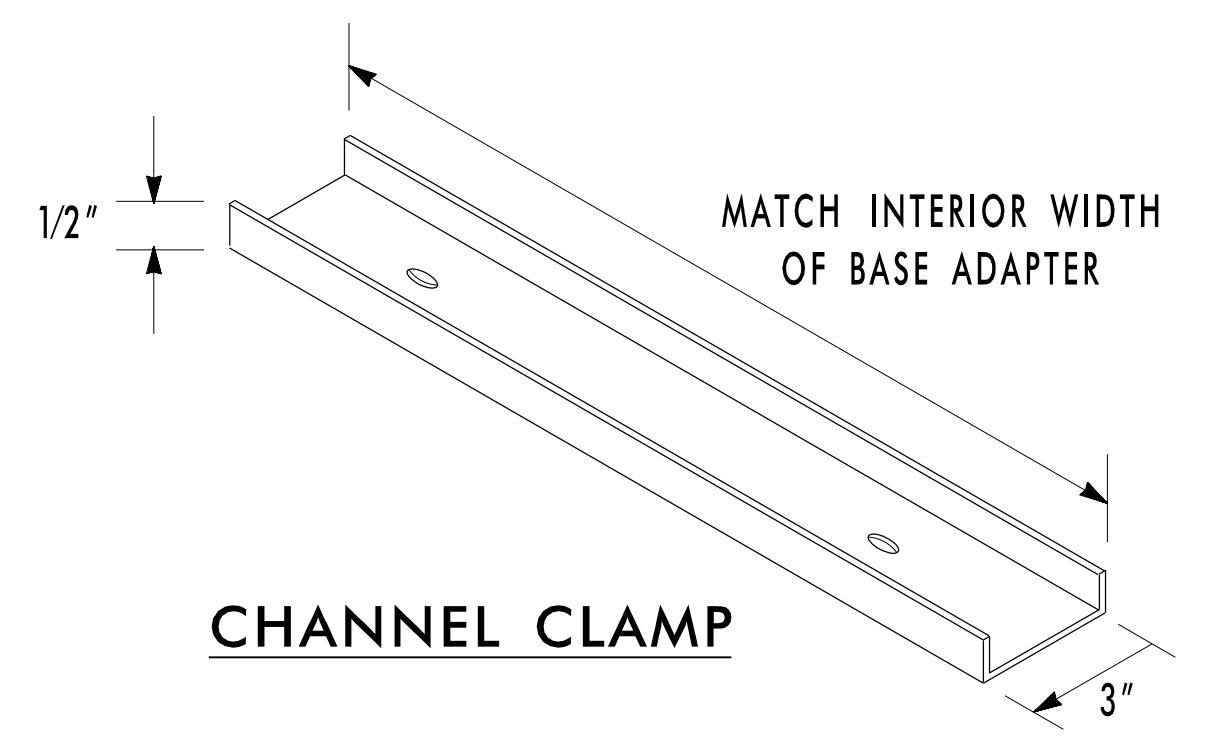


SECTION 'A - A'



BASE ADAPTER

FRONT



CHANNEL CLAMP

NOTES FOR BASE ADAPTER

1. FURNISH BASE ADAPTERS WITH FLANGES BOTH TOP AND BOTTOM SIZED AS SHOWN.
2. DRILL HOLES IN CHANNEL CLAMP TO MATCH ANCHOR BOLTS AND CABINET FLANGE BOLT HOLES.
3. APPLY CONTINUOUS, CLEAR, FLEXIBLE, WATERPROOF SEALANT TO TOP AND BOTTOM FLANGES TO SEAL TOP CONNECTION WITH THE CABINET AND BOTTOM CONNECTION WITH THE CABINET FOUNDATION.

04-JUN-2015 16:49
 T:\Product\ITSS\ITS\NC\001*100037777 - High Point Sig Sys\Special Detail\ITS-5.07.dgn
 SLOC3653 AT LUS291201

ATKINS 1616 EAST MILLBROOK ROAD, SUITE 310
 RALEIGH, NORTH CAROLINA 27609
 (919) 876-6888 NCBEES #F-0326

Prepared for the Offices of: 750 Greenfield Parkway, Garner, NC 27529	High Point Signal System Base Adapter Detail		SEAL HENRY FRED BADGETT PROFESSIONAL ENGINEER
	Division 7 Guilford County High Point	PLAN DATE: June 2015 REVIEWED BY: HA Badgett PREPARED BY: BJ Slocum REVIEWED BY: SG Haynie	
SCALE: NTS	REVISIONS	INIT. DATE	DocuSigned by: HA Badgett 6/5/2015 DATE CADD Filename: ITS-5.07.dgn