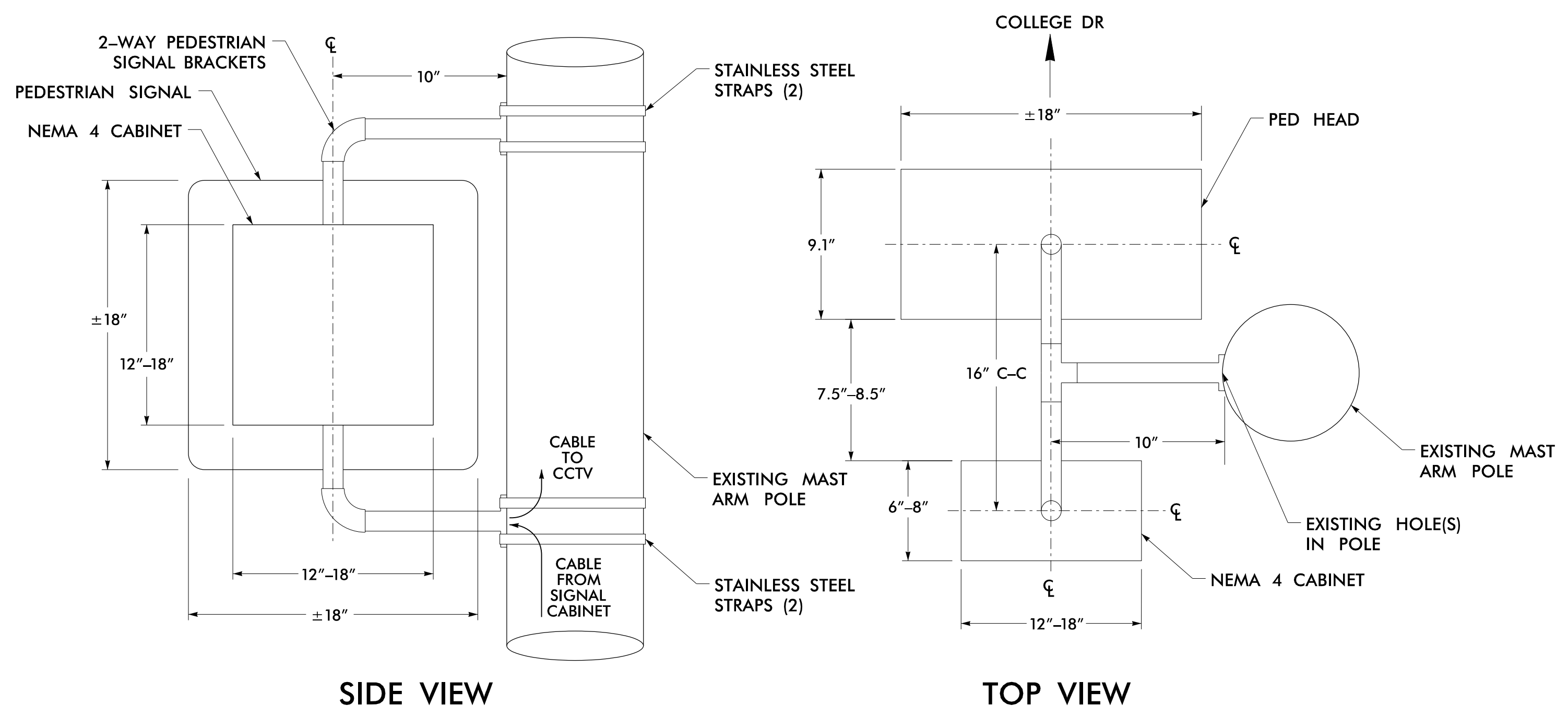


### NEMA 4 CABINET SPECIAL CASE FOR MAST ARM POLE CCTV 29: E LEXINGTON AVE AT N COLLEGE DR



- NOTES:**
1. MOUNT SURGE PROTECTION DEVICES AND CONVENIENCE SWITCH ON DIN RAIL.
  2. SECURE DIN RAIL TO CABINET USING WELD NUTS OR OTHER METHODS APPROVED BY ENGINEER.
  3. SECURE CABINET TO CCTV POLE USING STAINLESS STEEL STRAPS.
  4. PROVIDE NO. 2 LOCK ASSEMBLY TO SECURE CABINET.
  5. INSTALL POLE GROUNDING PER DETAILS ON ITS-5.00 AND ITS-5.01.
  6. REPLACE EXISTING PVC RISERS TO CCTV WITH 1" RGS RISERS AS SHOWN IN PLANS.

04-JUN-2015 16:49  
 T:\Product\ITSystems\High Point Sig Sys\Special Detail\ITS-5.02.dgn  
 S:\C3653 AT LUS291201

<p>750 Greenfield Parkway, Garner, NC 27529</p>	<h2 style="margin: 0;">High Point Signal System</h2> <h3 style="margin: 0;">Camera Installation, NEMA Type 4 Cabinet Detail</h3>		SEAL NORTH CAROLINA PROFESSIONAL ENGINEER HEARSTEDT FRED BADGETT SEAL 019962
	Division 7    Guilford County    High Point	PLAN DATE: June 2015    REVIEWED BY: HA Badgett	
SCALE: NTS	REVISIONS:	INIT.:	DATE:

1616 EAST MILLBROOK ROAD, SUITE 310  
 RALEIGH, NORTH CAROLINA 27609  
 (919) 876-6888    NCBEES #F-0326

DocuSigned by: **HA Badgett** 6/5/2015  
 DATE  
 CADD File name: ITS-5.02.dgn