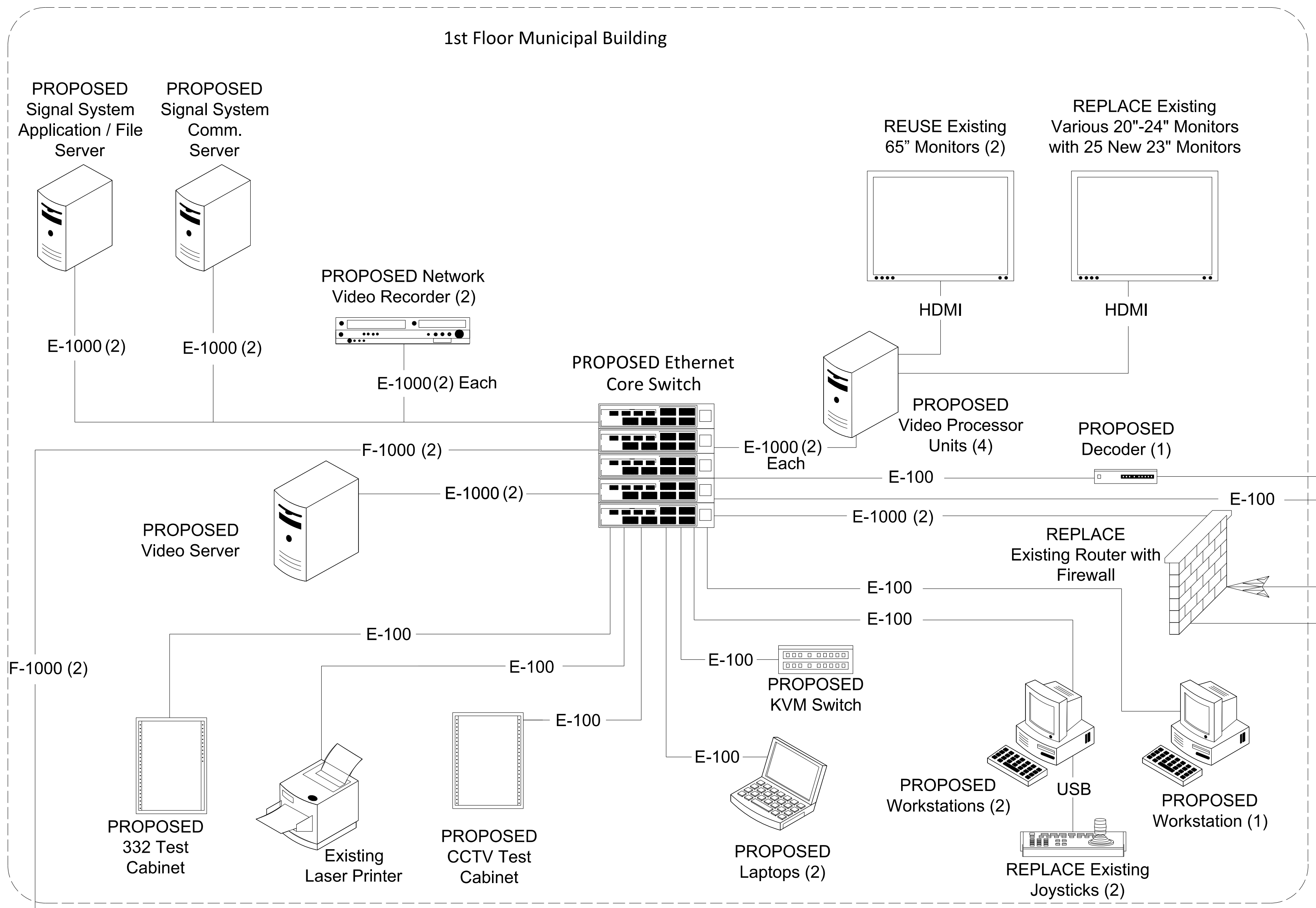
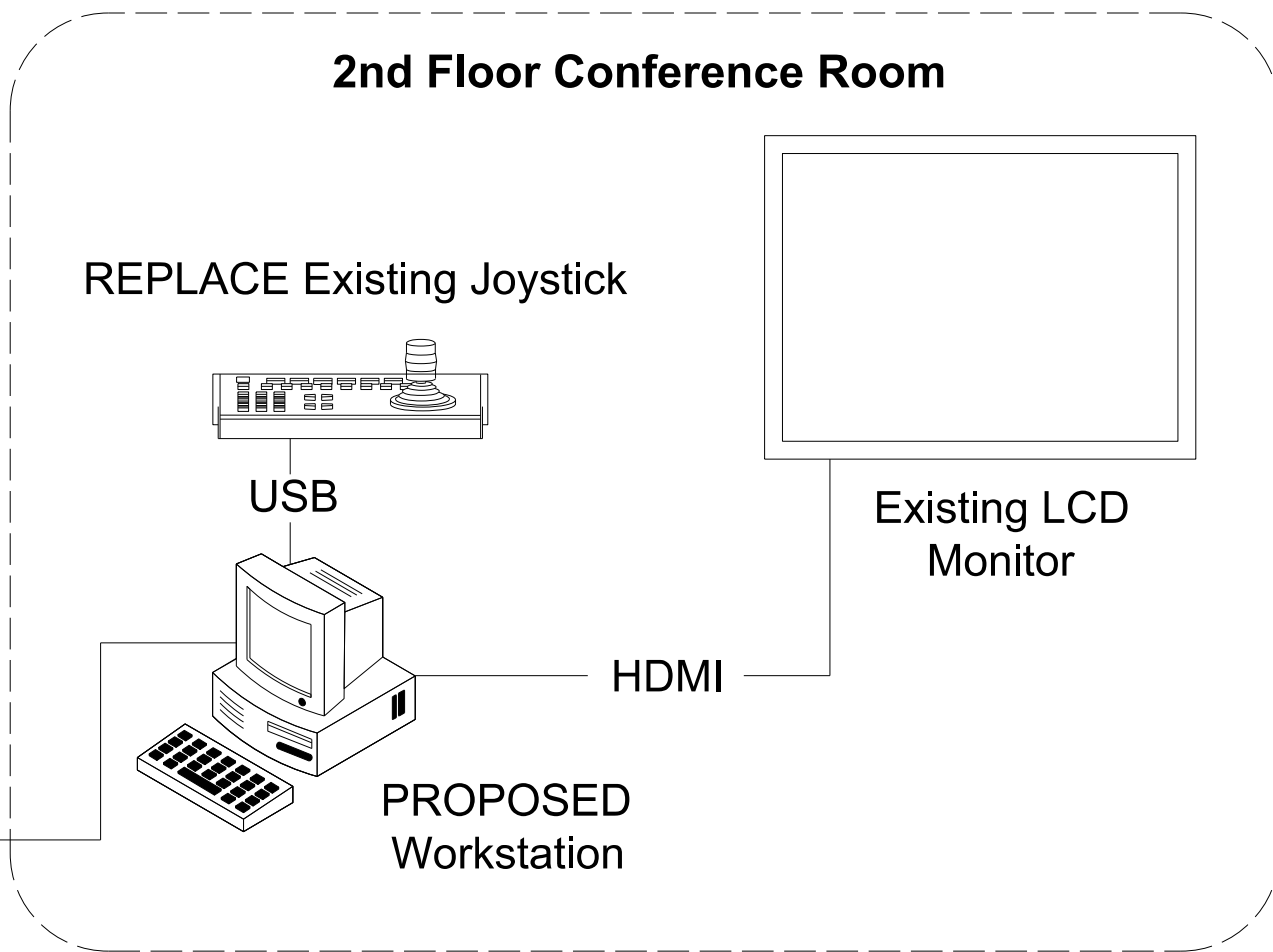


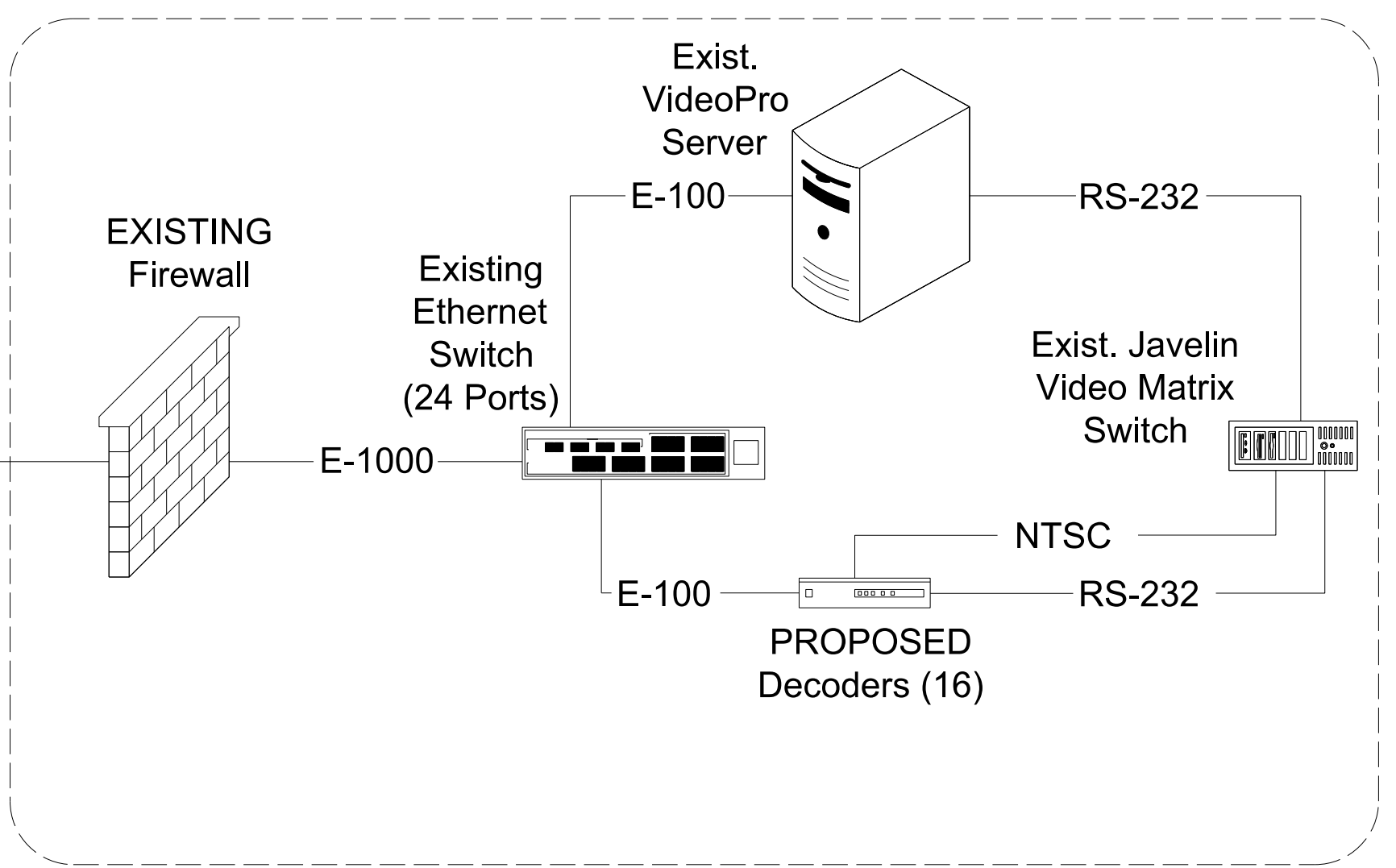
### City TOC



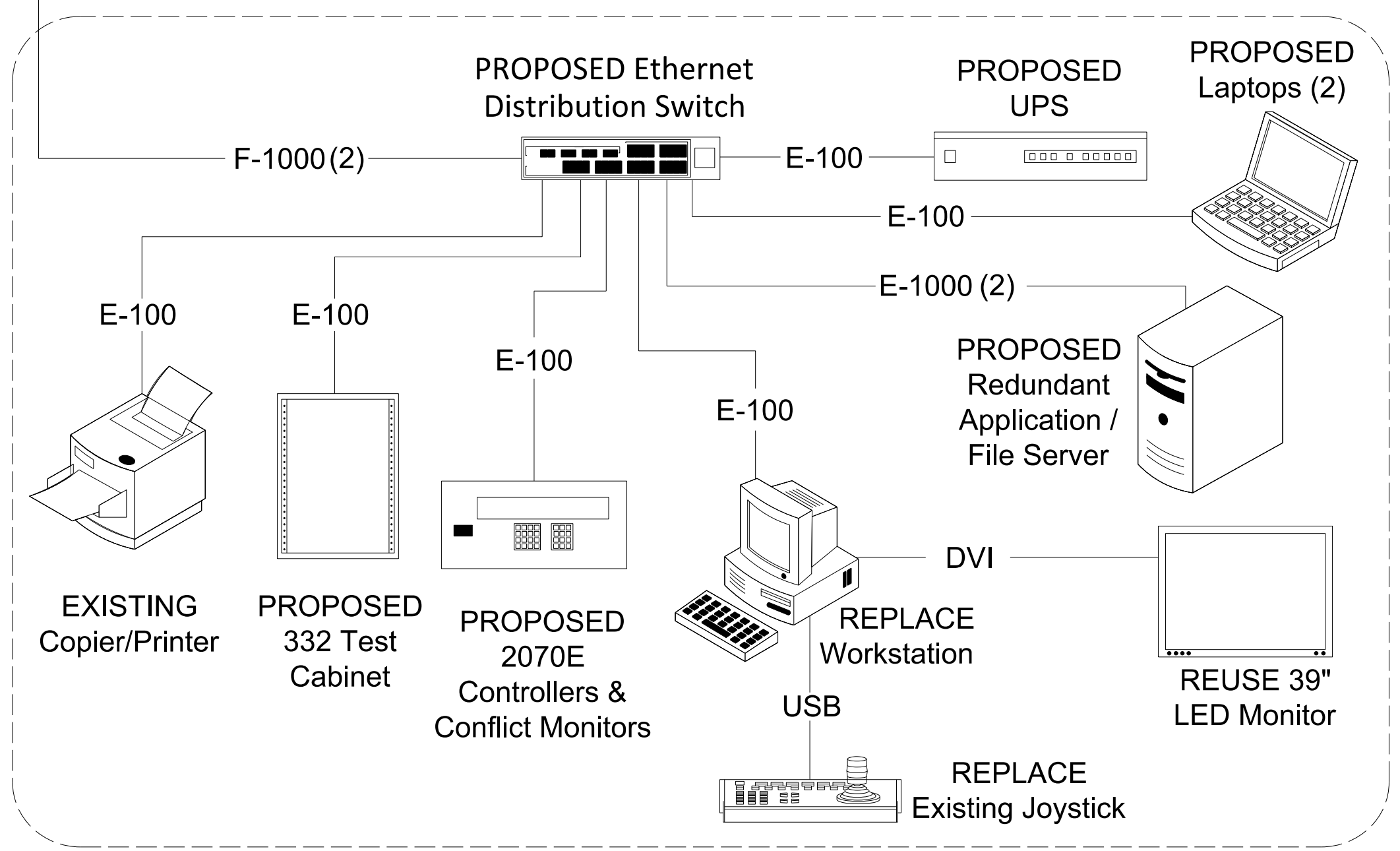
### City Dept. of Transportation Offices



### TRTMC



### RV Moss Traffic Services Center - Signal Shop



#### NOTES:

1. EXISTING SMFO TRANSCEIVERS AND SERVERS TO REMAIN THROUGH MIGRATION.
2. REPLACE THREE SIGNAL SYSTEM WORKSTATIONS IN TOC.
3. INSTALL ONE SIGNAL SYSTEM WORKSTATION IN 2ND FLOOR CONFERENCE ROOM.
4. REPLACE ONE SIGNAL SYSTEM WORKSTATION IN TRAFFIC SERVICES CENTER - SIGNAL SHOP.
5. REPLACE EXISTING ROUTER WITH FIREWALL.
6. INSTALL VIDEO PROCESSORS FOR THE NEW CITY TOC MONITORS.
7. REMOVE EXISTING SERVERS AFTER MIGRATION TO NEW SYSTEMS.

#### Connection Legend

— E-100 —	10/100 TX Ethernet	— F-100 —	10/100 FX Ethernet
— E-1000 —	10/1000 TX Ethernet	— F-1000 —	10/1000 FX Ethernet
— RS-232 —	RS-232	— HDMI —	HDMI
— NTSC —	NTSC Video	— DVI —	DVI
(2)	Denotes Redundant Connection		

**ATKINS** 1616 EAST MILLBROOK ROAD, SUITE 310  
RALEIGH, NORTH CAROLINA 27609  
(919) 876-6888 NCBEEES #F-0326

	High Point Signal System Central Block Diagram (1 of 2)			
	Division 7	Guilford County		High Point
	PLAN DATE: June 2015	REVIEWED BY: HA Badgett		
	PREPARED BY: BJ Slocum	REVIEWED BY: SG Haynie		
750 Greenfield Parkway, Garner, NC 27529	SCALE: NTS	REVISIONS:	INIT. DATE	

04-JUN-2015 16:49  
 T:\Product\ITSystems\100037777 - High Point Sig Sys\Special Detail\ITS-3.00.dgn  
 SLOC3653 AT LUS291201