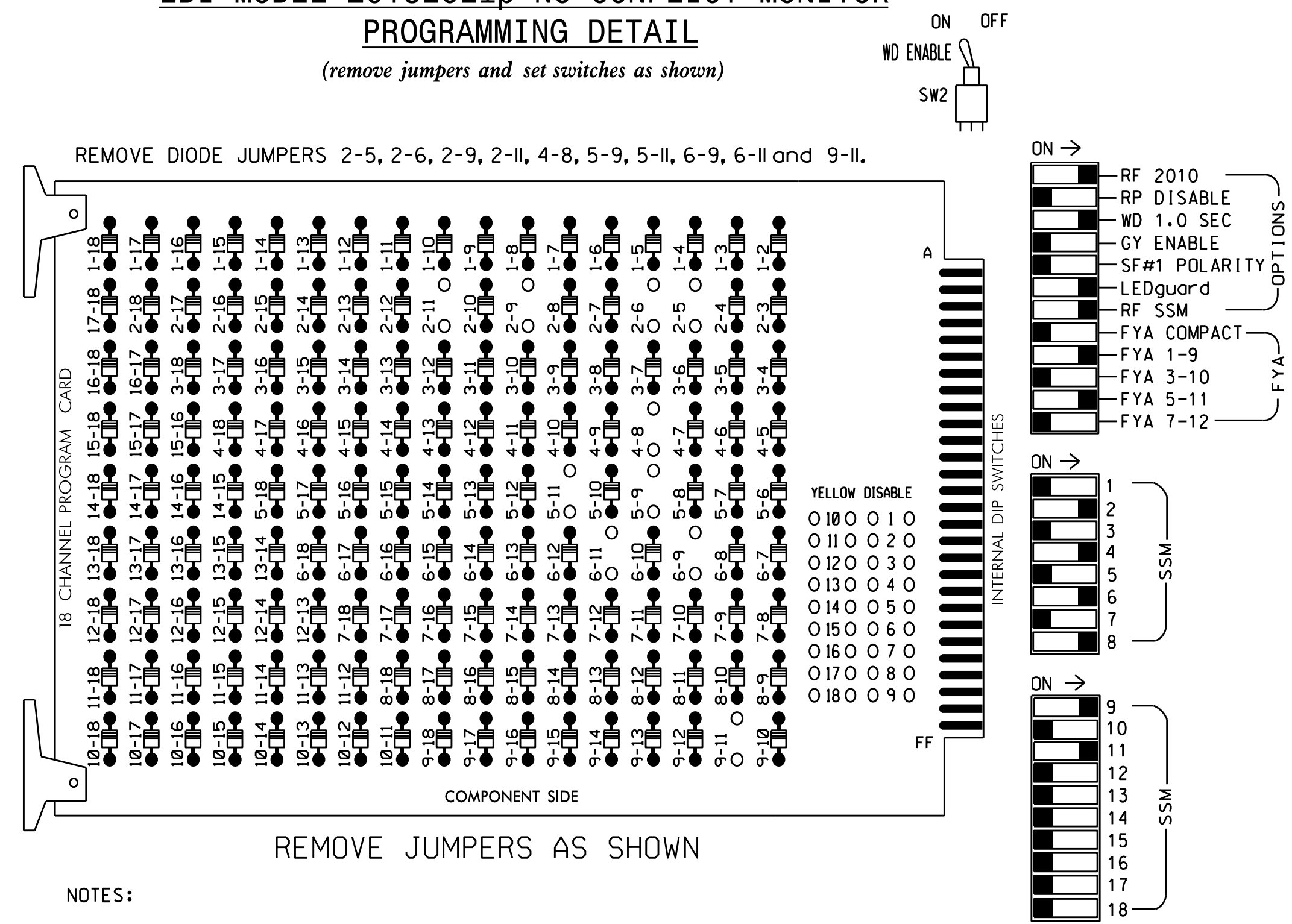


EDI MODEL 2018EClip-NC CONFLICT MONITOR

PROGRAMMING DETAIL

(remove jumpers and set switches as shown)



NOTES:

1. Card is provided with all diode jumpers in place. Removal of any jumper allows its channels to run concurrently.
2. Ensure jumpers SEL2-SEL5 and SEL9 are present on the monitor board.
3. Ensure that Red Enable is active at all times during normal operation.
4. Integrate monitor with Ethernet network in cabinet.

NOTES

1. To prevent "flash-conflict" problems, insert red flash program blocks for all unused vehicle load switches in the output file. The installer shall verify that signal heads flash in accordance with the Signal Plans.
2. Program phases 4 and 8 for Dual Entry.
3. Enable Simultaneous Gap-Out for all phases.
4. Program phases 2 and 6 for Start Up In Green.
5. Program phases 2 and 6 for Yellow Flash, and overlap 1 as Wag Overlaps.
6. The cabinet and controller are part of the High Point Signal System.

EQUIPMENT INFORMATION

CONTROLLER.....2070L
 CABINET.....332 /W/ AUX
 SOFTWARE.....ECONOLITE OASIS
 CABINET MOUNT.....BASE
 OUTPUT FILE POSITIONS...18 WITH AUX. OUTPUT FILE
 LOAD SWITCHES USED.....S2,S5,S7,S8,S11,AUX S1,AUX S4.
 PHASES USED.....2,4,5,6,8.
 OVERLAP "A".....2
 OVERLAP "B".....NOT USED
 OVERLAP "C".....5+6
 OVERLAP "D".....NOT USED

SIGNAL HEAD HOOK-UP CHART

LOAD SWITCH NO.	S1	S2	S3	S4	S5	S6	S7	S8	S9	S10	S11	S12	AUX S1	AUX S2	AUX S3	AUX S4	AUX S5	AUX S6
CMU CHANNEL NO.	1	2	13	3	4	14	5	6	15	7	8	16	9	10	17	11	12	18
PHASE	1	2	2 PED	3	4	4 PED	5	6	6 PED	7	8	8 PED	OLA	OLB	SPARE	OLC	OLD	SPARE
SIGNAL HEAD NO.	NU	22,23	NU	NU	41,42	NU	51	61,62	NU	NU	81,82	NU	63	NU	NU	51	NU	NU
RED		128			101			134			107							
YELLOW		129			102		*	135			108							
GREEN		130			103			136			109							
RED ARROW													A121			A114		
YELLOW ARROW													A122			A115		
FLASHING YELLOW ARROW													A123			A116		
GREEN ARROW								133										

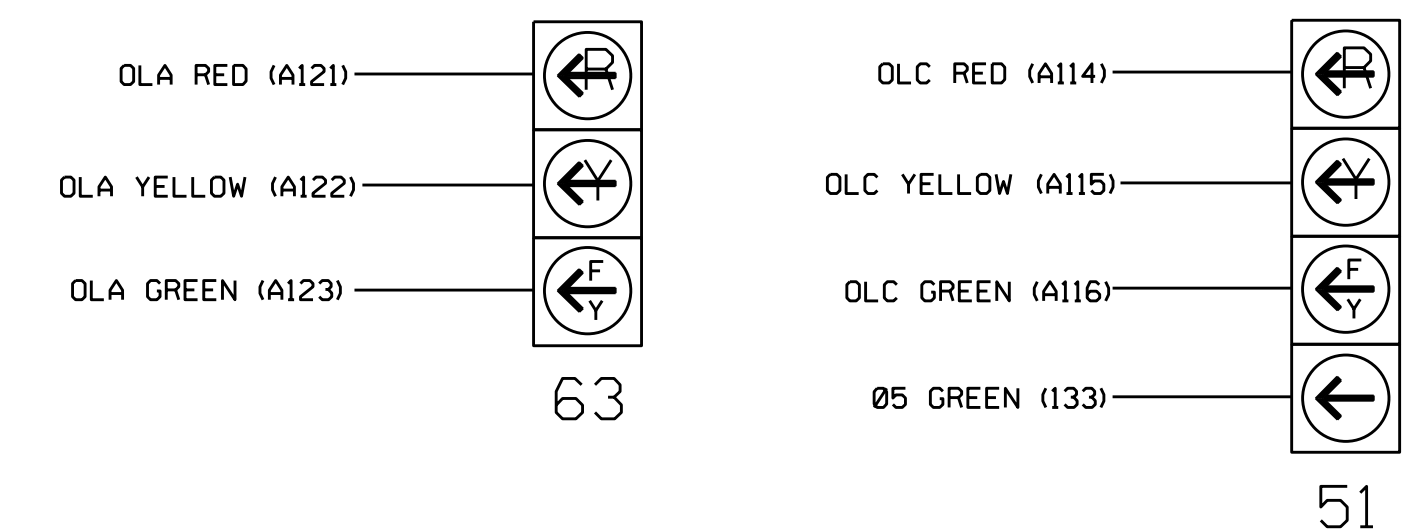
NU = Not Used

* Denotes install load resistor. See load resistor installation detail this sheet.

★ See pictorial of head wiring in detail below.

4 SECTION FYA PPLT SIGNAL WIRING DETAIL

(wire signal heads as shown)

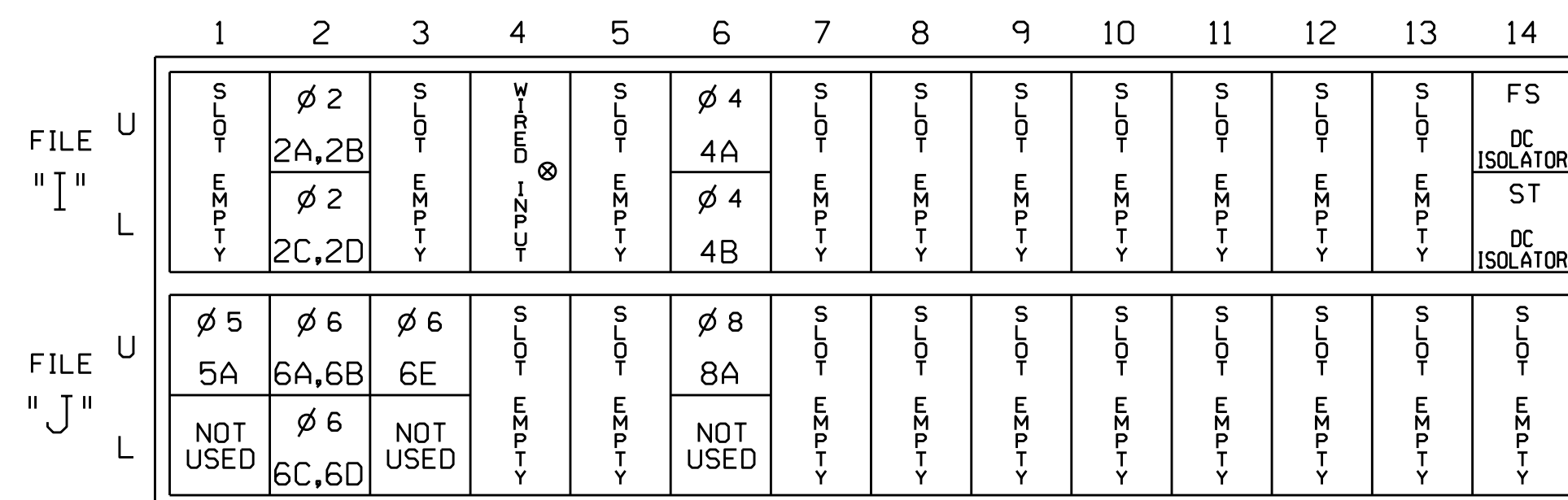


NOTE

1. The sequence display for this signal requires special logic programming. See sheet 2 for programming instructions.

INPUT FILE POSITION LAYOUT

(front view)



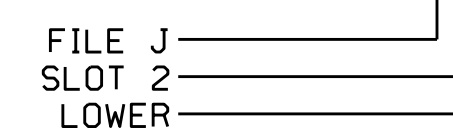
INPUT FILE CONNECTION & PROGRAMMING CHART

LOOP NO.	LOOP TERMINAL	INPUT FILE POS.	PIN NO.	INPUT ASSIGNMENT NO.	DETECTOR NO.	NEMA PHASE	CALL	EXTEND	FULL TIME DELAY	STRETCH TIME	DELAY TIME
2A,2B	TB2-5,6	I2U	39	1	2	2	Y	Y		1.6	
2C,2D	TB2-7,8	I2L	43	5	12	2	Y	Y			
4A	TB4-9,10	I6U	41	3	4	4	Y	Y			3
4B	TB4-11,12	I6L	45	7	14	4	Y	Y			10
5A ¹	TB3-1,2	J1U	55	17	5	5	Y	Y			15
	-	I4U	47	9	22	2	Y	Y			
6A,6B	TB3-5,6	J2U	40	2	6	6	Y	Y		1.6	
6C,6D	TB3-7,8	J2L	44	6	16	6	Y	Y			
6E	TB3-9,10	J3U	64	26	36	6	Y	Y			
8A	TB5-9,10	J6U	42	4	8	8	Y	Y			10

¹Add jumper from J1-W to I4-W, on rear of input file.

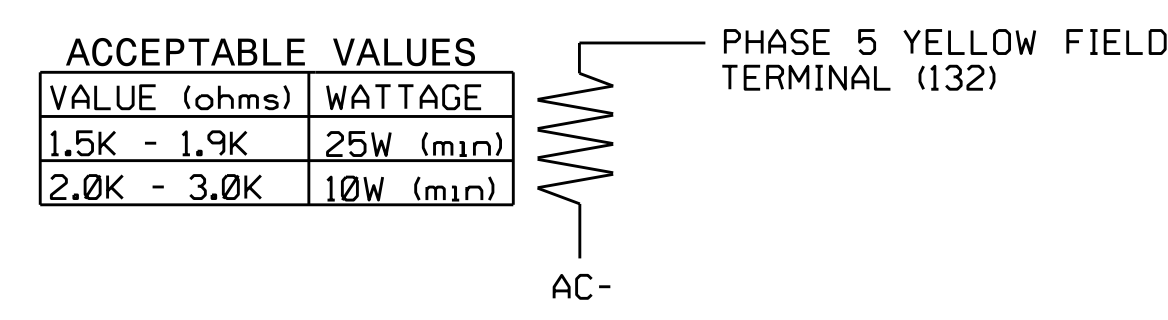
* System detector only. Remove the vehicle phase assigned to this detector in the default programming.

INPUT FILE POSITION LEGEND: J2L



LOAD RESISTOR INSTALLATION DETAIL

(install resistors as shown below)



ELECTRICAL DETAIL SHEET 1 OF 2

ELECTRICAL AND PROGRAMMING DETAILS FOR: Prepared in the Offices of: 750 N. Greenfield Pkwy, Garner, NC 27529	SR 1009 (N. Main Street) at Westover Drive		SEAL SEAL 008453 ENGINEER JOHN T. ROWE, JR.	
	Division 7 PLAN DATE: May 2014 PREPARED BY: James Peterson	Guilford County REVIEWED BY: REVIEWED BY:		High Point
	REVISIONS INIT. DATE	DATE		DateSigned by: John T. Rowe, Jr. 3/17/2015 DATE

SIG. INVENTORY NO. 07-2057