

RAILROAD PREEMPTION PROGRAMMING DETAIL

(program controller as shown below)

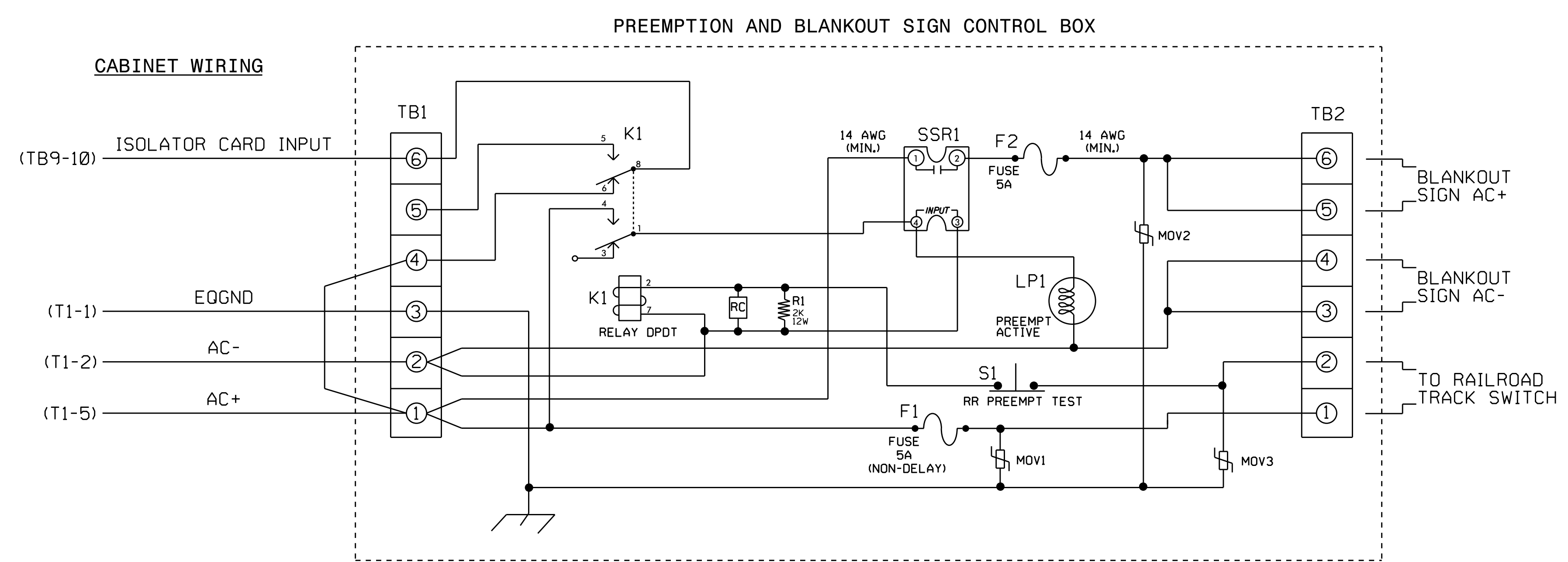
From Main Menu press 'A' (Preemption), then '1' (Standard Preemptions).

PREEMPTION #1	SETTINGS (NEXT:1-10)
INTERVAL/TIMING	CLEAR/DWELL PHASES
GRN YEL RED	12345678910111213141516
1 255 0.0 0.0	XX X
2 0 0.0 0.0	
3 0 0.0 0.0	
4 0 0.0 0.0	
5 1 0.0 0.0	X X

EXIT CALLS	OPTIONS
PRIORITY (Y/N TO SELECT)	HIGH
DELAY TIMER (0-255 SEC)	0
MIN GREEN BEFORE PRE (0= DEFAULT)...	1
PED CLEAR BEFORE PRE (0= DEFAULT)...	0
YELLOW CLEAR BEFORE PRE (0= DEFAULT)...	0
RED CLEAR BEFORE PRE (0= DEFAULT)...	0
DWELL MIN TIMER (0-255 SEC)	10
DWELL MAX TIMER (0-OFF,1-255MIN) ...	0
DWELL HOLD-OVER TIMER (0-255)	0
LATCH CALL?	N
LINK TO NEXT PREEMPT?	N
ENABLE BACKUP PROTECTION?	N
HOLD CLEAR 1 PHASES DURING DELAY? ...	N
FAST GREEN FLASH DWELL PHASES?	N
PED CLEARANCE THROUGH YELLOW?	N
INHIBIT OVERLAP GREEN EXTENSION? ...	N
SERVICE DURING SOFTWARE FLASH?	N
REST IN RED DURING DWELL INTERVAL? ..	N
FLASH DWELL INTERVAL?	N
ALLOW PEDS IN DWELL INTERVAL?	N
RE-TIME DWELL INTERVAL?	N
OVERLAPS:	ABCDEFGHIJKLMNPO
DWELL INT FLASH YELLOW	
OMIT OVERLAPS:	X

RAILROAD PREEMPTION WIRING DETAIL

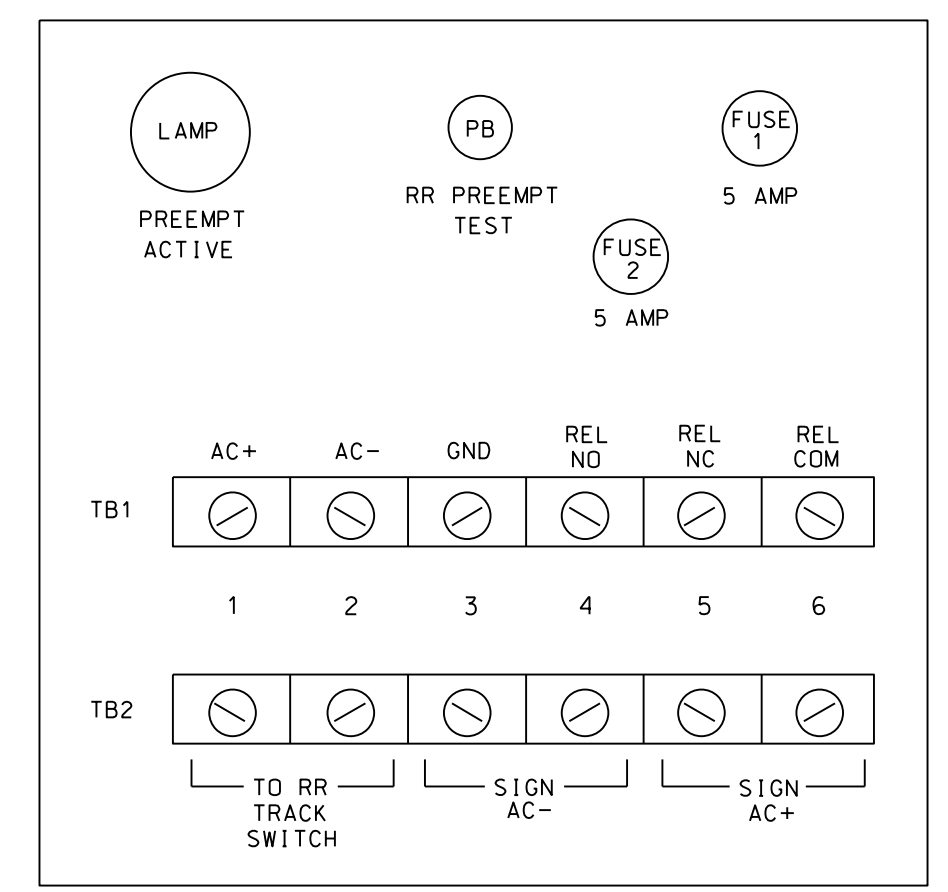
(wire as shown below)



NOTES

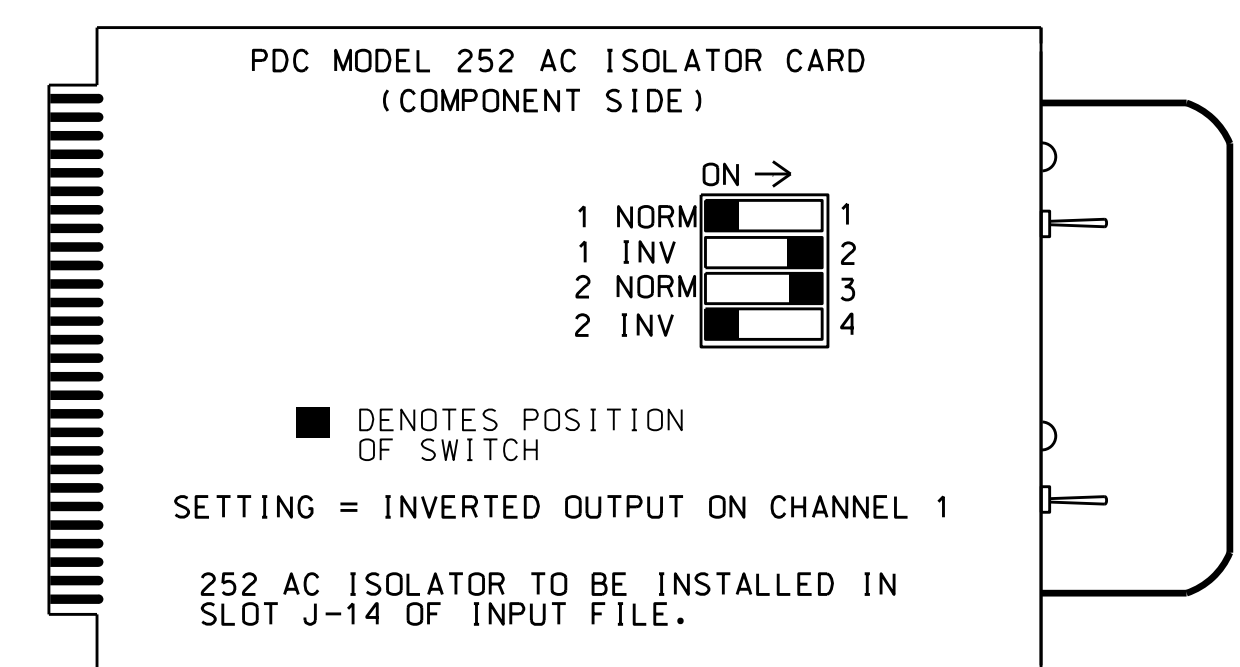
- Relay K1 is shown in the energized (Preempt not active) normal operation state.
- Relay K1 is a DPDT with 120VAC coil with octal base.
- Relay SSR1 is a SPST (normally open) Solid State Relay with AC input and AC (25 amp) output.
- AC Isolator Card shall activate preemption upon removal of AC+ from the input (as shown above). To accomplish this set invert dip switch on AC Isolator Card.
- IMPORTANT!!** A jumper must be added between input file terminals J14-E and J14-K if not already present. Also, terminal TB9-12 (on input panel) shall be connected to AC neutral (jumper may have to be added).

FRONT VIEW



PREEMPT 1 AC ISOLATOR (MODEL 252) OUTPUT PROGRAMMING DETAIL

(set DIP switches as shown below)



NOTE: IF ANOTHER MANUFACTURER TYPE OF AC ISOLATOR IS USED, OUTPUT PROGRAMMING IS LIKELY NOT TO EQUATE TO THAT SHOWN ABOVE.

THIS ELECTRICAL DETAIL IS FOR THE SIGNAL DESIGN: 07-0738
 DESIGNED: August 2014
 SEALED: 4/24/15
 REVISED: N/A

Electrical Detail - Sheet 3 of 3

ELECTRICAL AND PROGRAMMING DETAILS FOR: Prepared in the Offices of: 750 N. Greenfield Pkwy, Garner, NC 27529	SR 1300 (West Fairfield Road) at SR 4053 (Surrett Drive)		SEAL PROFESSIONAL ENGINEER SEAL 022013 GEORGE C. BROWN
	Division 7 PLAN DATE: January 2015 PREPARED BY: B. SIMMONS	Guilford County High Point REVIEWED BY: T. Joyce REVIEWED BY:	
REVISIONS			SIG. INVENTORY NO. 07-0738

C:\Users\simmons\Documents\Working Folder\High Point\070738_sml_elec_xxx.dgn
 09-APR-2015 10:57
 S:\IT\SSU\TSS\Signal\working\070738_sml_elec_xxx.dgn
 bis\simmons