

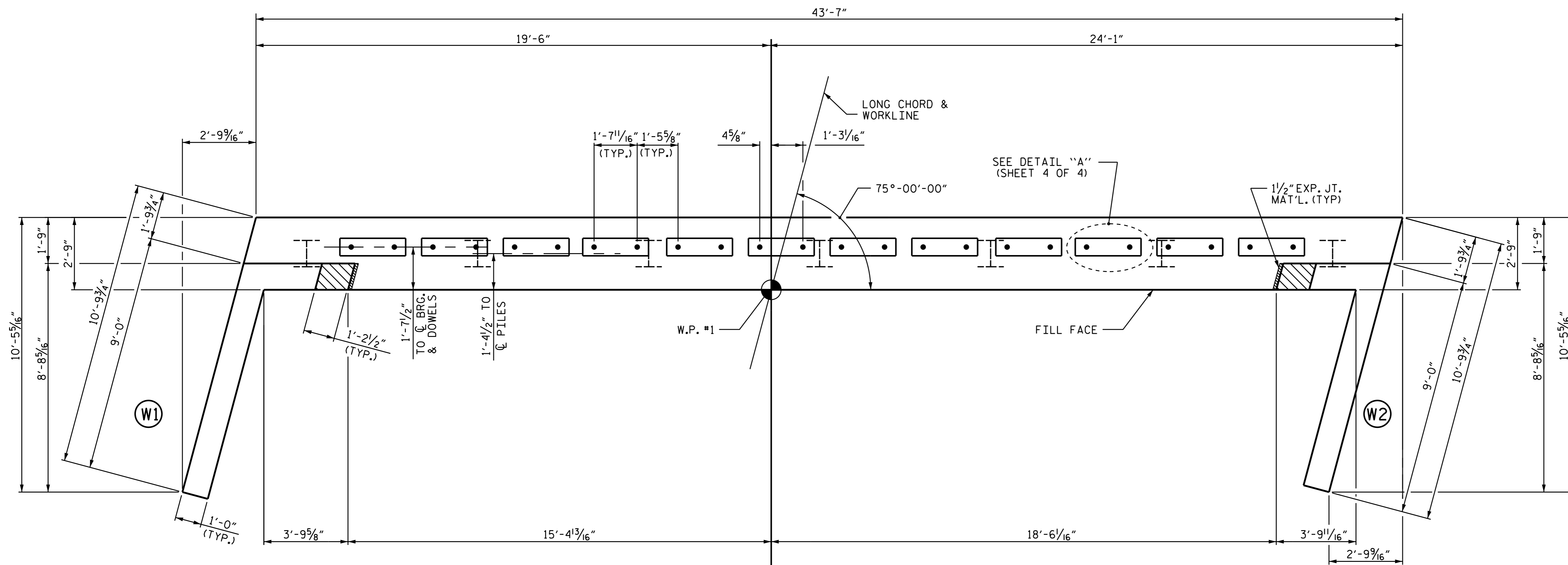
NOTES

STIRRUPS IN CAP MAY BE SHIFTED AS NECESSARY TO CLEAR DOWELS.

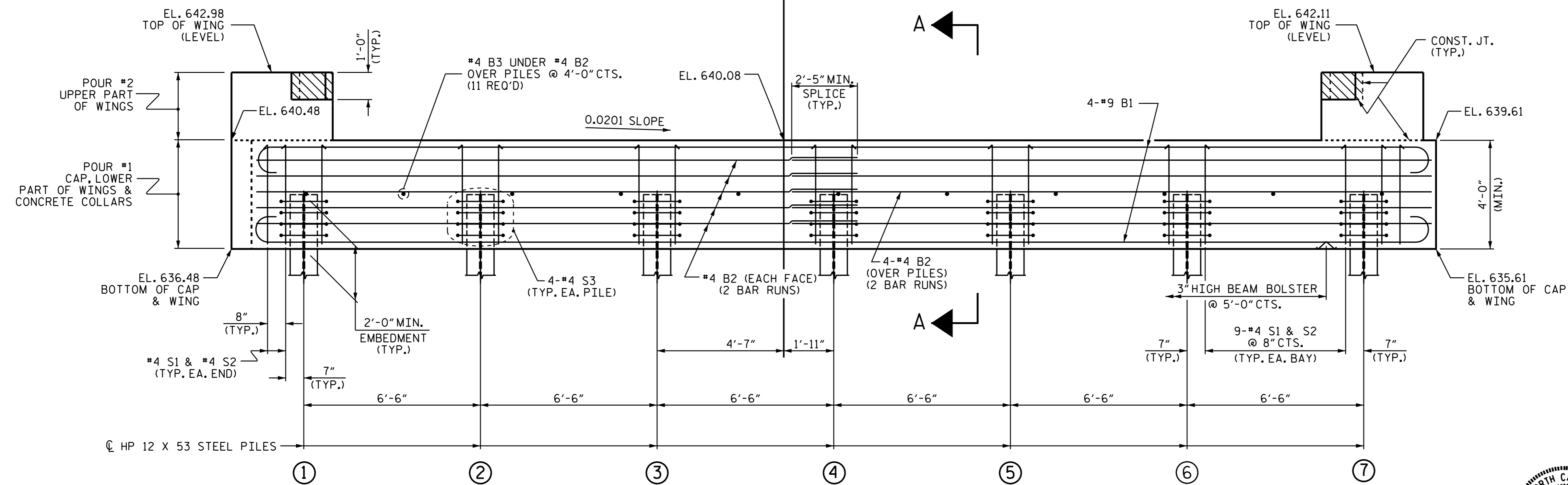
THE CONCRETE IN THE SHADED AREA OF THE WING SHALL BE POURED AFTER THE VERTICAL CONCRETE BARRIER RAIL IS CAST IF SLIP FORMING IS USED.

FOR PILE SPLICE DETAILS, SEE SHEET 4 OF 4.

FOR WING DETAILS, SEE SHEET 3 OF 4.



PLAN



ELEVATION

TOP OF PILE ELEVATIONS	
①	638.43
②	638.30
③	638.17
④	638.04
⑤	637.90
⑥	637.77
⑦	637.64

PROJECT NO. B-4959
GUILFORD COUNTY
 STATION: 14+70.50 -L-

SHEET 1 OF 4

STATE OF NORTH CAROLINA
 DEPARTMENT OF TRANSPORTATION
 RALEIGH
 SUBSTRUCTURE
 END BENT 1



REVISIONS						SHEET NO.
NO.	BY:	DATE:	NO.	BY:	DATE:	S-16
1			3			TOTAL SHEETS
2			4			25

ASSEMBLED BY : C. YOKELEY DATE : 2/10/14
 CHECKED BY : T. KIRSCHBAUM DATE : 3/3/14

DRAWN BY : WJH 12/11
 CHECKED BY : AAC 12/11

WINGS NOT SHOWN FOR CLARITY.
 FOR SECTION A-A, SEE SHEET 4 OF 4.
 CONCRETE COLLARS FOR STEEL PILES NOT SHOWN IN PLAN AND ELEVATION VIEWS FOR CLARITY.
 SEE "CORROSION PROTECTION FOR STEEL PILES DETAIL", SHEET 4 OF 4.

DocuSigned by:
 [Signature]

9/3/2015