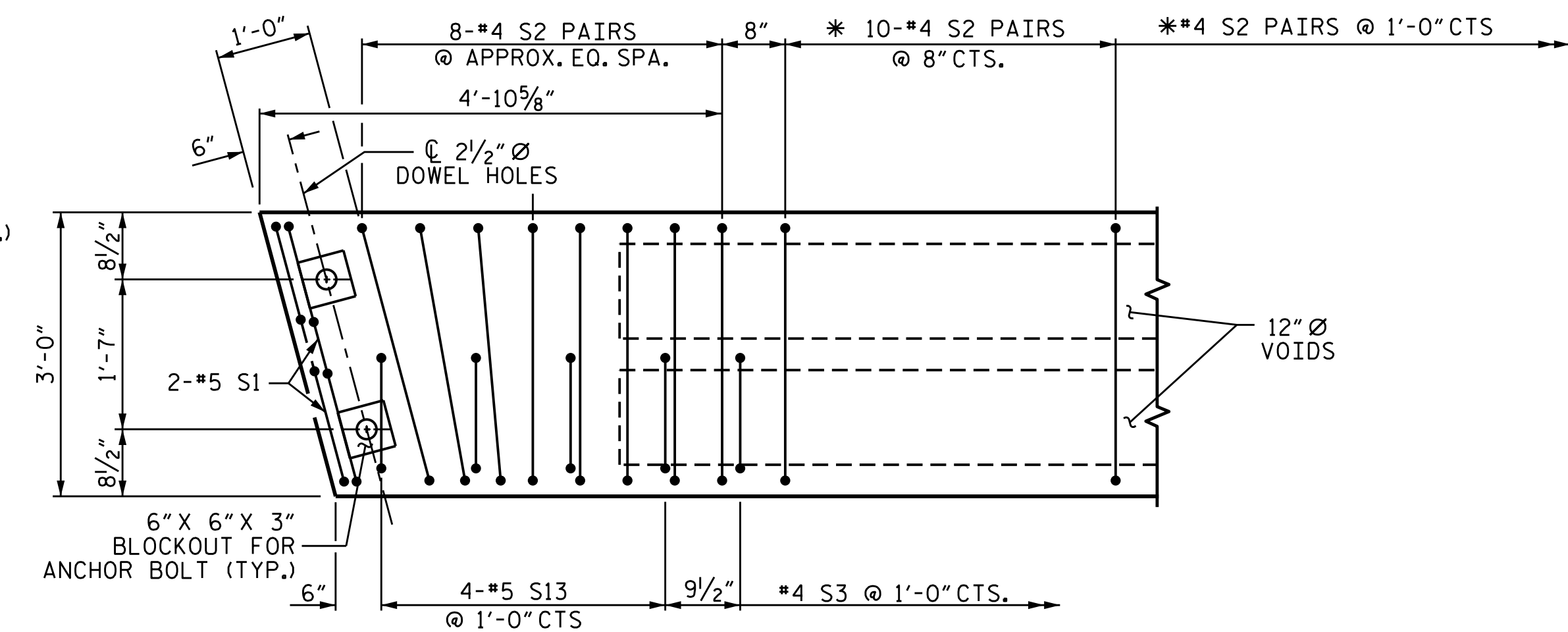


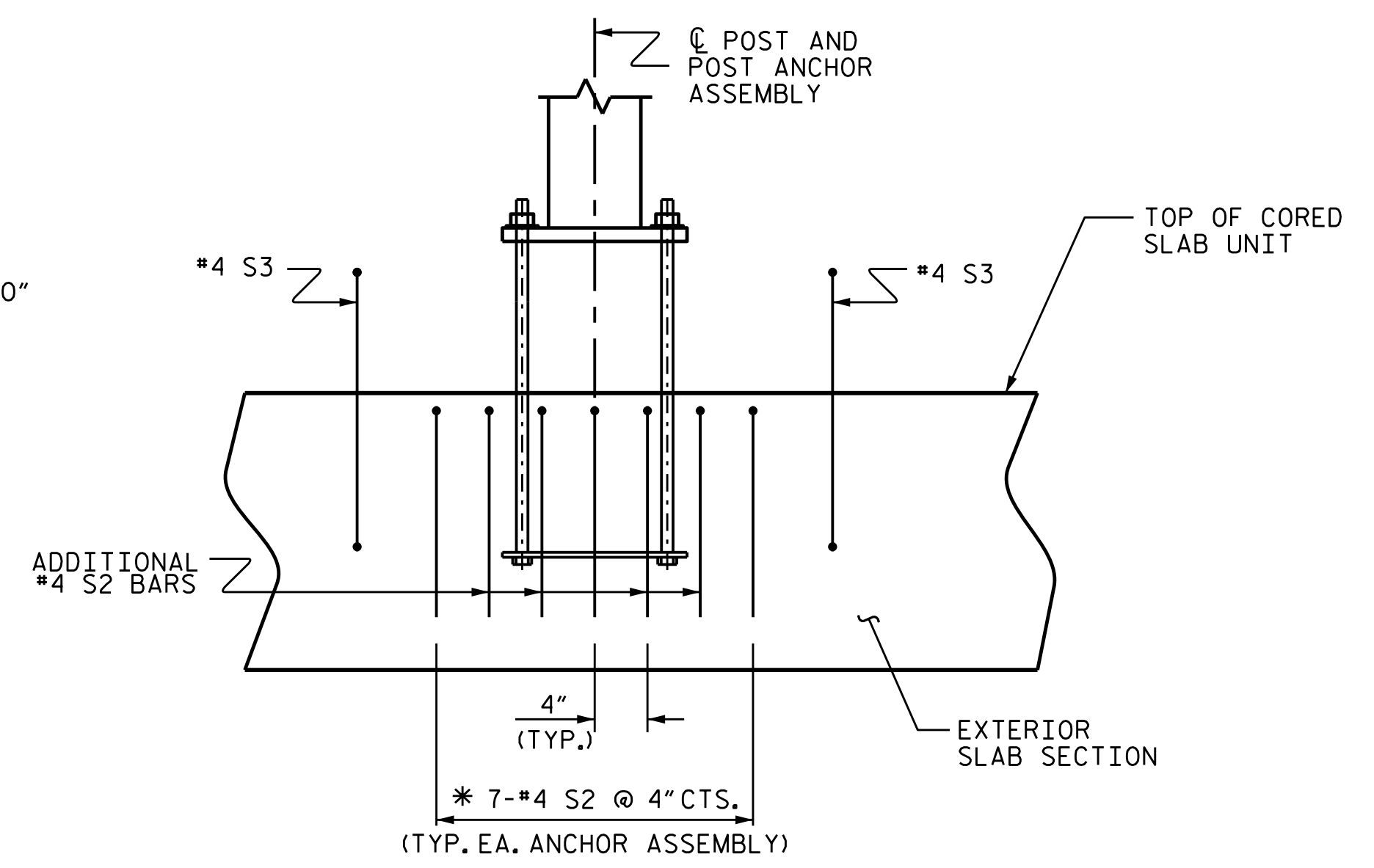
PLAN OF UNIT

BLOCKOUTS FOR ANCHOR BOLTS NOT SHOWN FOR CLARITY.



DETAIL "A"
EXTERIOR UNIT SHOWN - INTERIOR UNIT
SIMILAR EXCEPT OMIT #4 S3 & #5 S13 BARS.

* ADDITIONAL 4-#4 S2 (TOP ONLY)
REQUIRED FOR A TOTAL OF
7-#4 S2 SPACED @ 4" AT
EACH POST ASSEMBLY LOCATION.
(FOR LOCATION OF RAIL POST
SEE SHEET S-13)

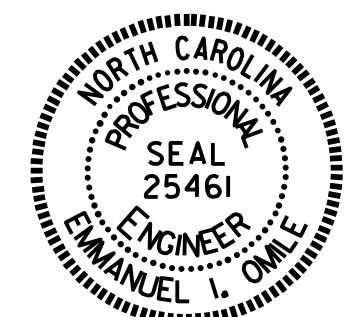


SIDE VIEW AT POST LOCATION
(SHOWING ADDITIONAL S2 BARS AT EACH POST ASSEMBLY)

PROJECT NO. B-4959
GUILFORD COUNTY
STATION: 14+70.50 -L-

SHEET 3 OF 6

STATE OF NORTH CAROLINA DEPARTMENT OF TRANSPORTATION RALEIGH						SHEET NO. S-8
PLAN OF 35' UNIT 32'-6" CLEAR ROADWAY 75° SKEW SPANS A & C						TOTAL SHEETS 25
REVISIONS						
NO.	BY:	DATE:	NO.	BY:	DATE:	
1			3			
2			4			



DocuSigned by:
Emmanuel I. Ome
9/3/2015

ASSEMBLED BY : E.I. OMILE DATE : 3-17-15
CHECKED BY : T.H. FANG DATE : 4/24/15
DRAWN BY : DGE 5/09 REV. 12/5/11 MAA/AAC
CHECKED BY: BCH 6/09