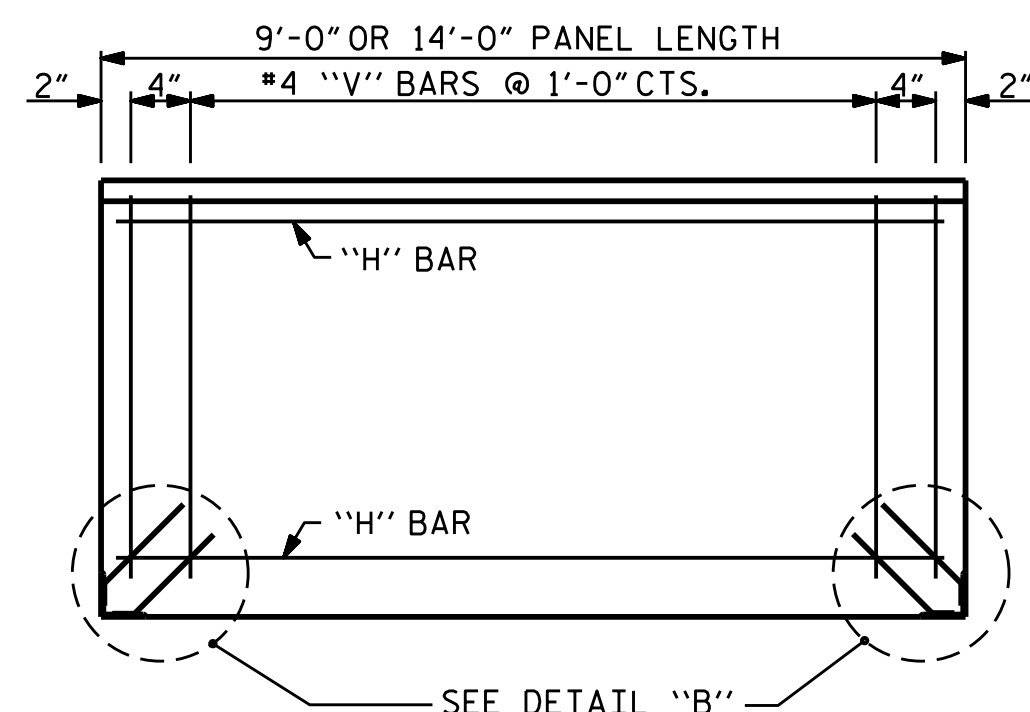


FRONT ELEVATION OF UPPER PRECAST PANELS

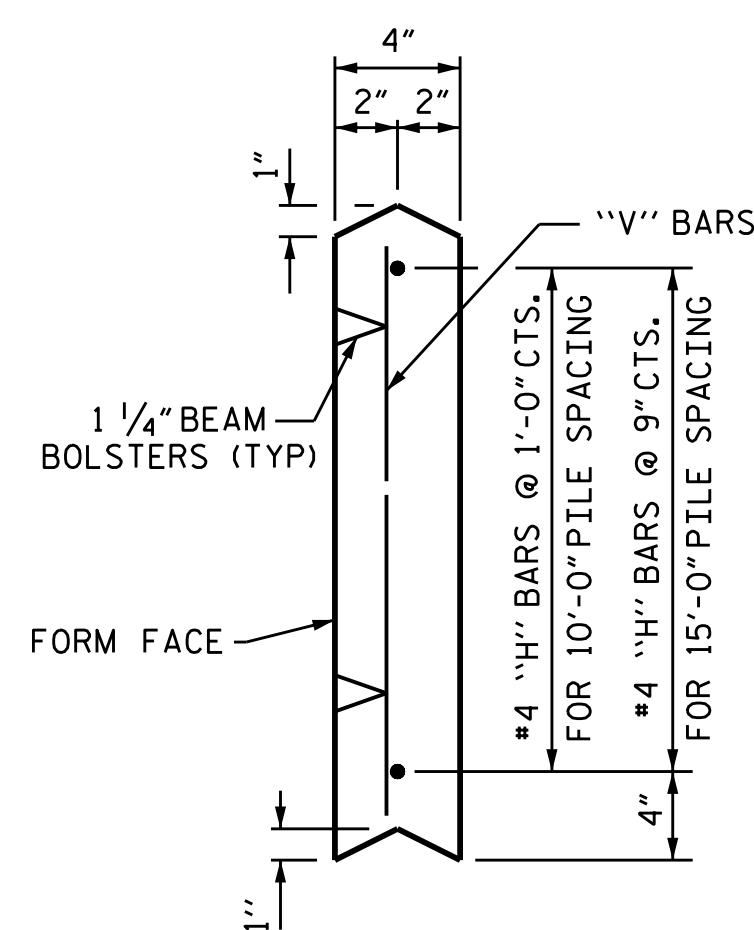
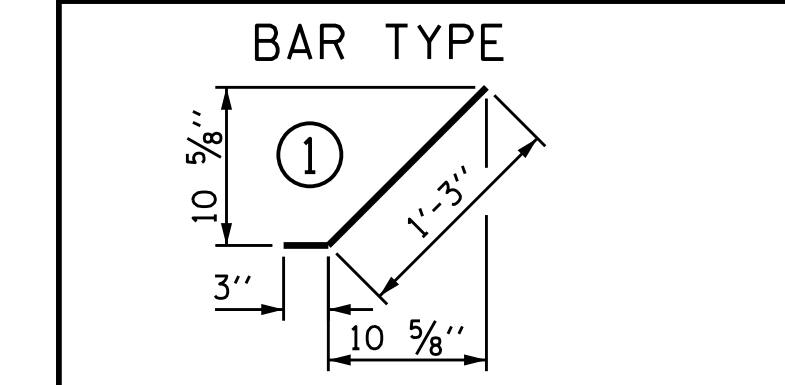


FRONT ELEVATION OF BOTTOM PRECAST PANEL

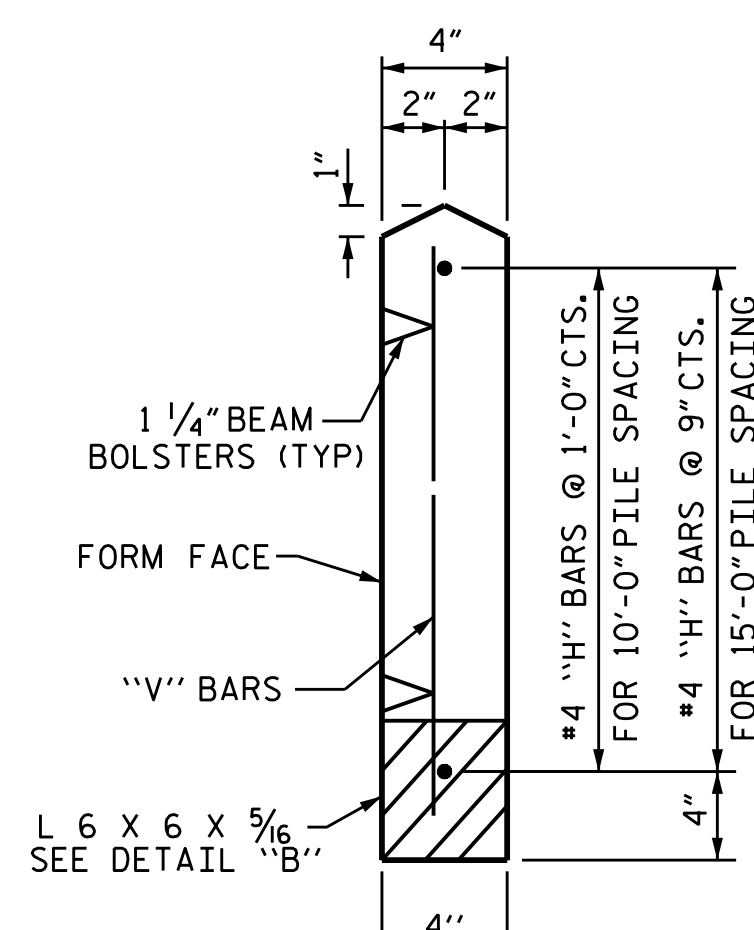
QUANTITIES FOR ONE PRECAST PANEL (FOR 10'-0" PILE SPACING)												
PANEL HEIGHT	CLASS AA CONCRETE C.Y.	BAR TYPES										
		HORIZONTAL					VERTICAL					
		NO.	BAR SIZE	TYPE	LENGTH	WEIGHT (lb)	NO.	BAR SIZE	TYPE	LENGTH	WEIGHT (lb)	
2'-0"	0.22	3	H1 #4	STR	8'-8"	17	11	V1 #4	STR	1'-8"	12	
3'-0"	0.33	4	H2 #4	STR	8'-8"	23	11	V2 #4	STR	2'-8"	20	
4'-0"	0.44	5	H3 #4	STR	8'-8"	29	11	V3 #4	STR	3'-8"	27	

QUANTITIES FOR ONE PRECAST PANEL (FOR 15'-0" PILE SPACING)												
PANEL HEIGHT	CLASS AA CONCRETE C.Y.	BAR TYPES										
		HORIZONTAL					VERTICAL					
		NO.	BAR SIZE	TYPE	LENGTH	WEIGHT (lb)	NO.	BAR SIZE	TYPE	LENGTH	WEIGHT (lb)	
3'-0"	0.52	5	H1 #4	STR	13'-8"	46	16	V1 #4	STR	2'-8"	29	
4'-0"	0.69	6	H2 #4	STR	13'-8"	55	16	V2 #4	STR	3'-8"	39	
5'-0"	0.86	7	H3 #4	STR	13'-8"	64	16	V3 #4	STR	4'-8"	50	
6'-0"	1.04	8	H4 #4	STR	13'-8"	73	16	V4 #4	STR	5'-8"	61	

ADDITIONAL BARS FOR ONE BOTTOM PANEL					
NO.	BAR SIZE	TYPE	LENGTH	WEIGHT (lb)	
4	S1	#5	1	1'-6"	6

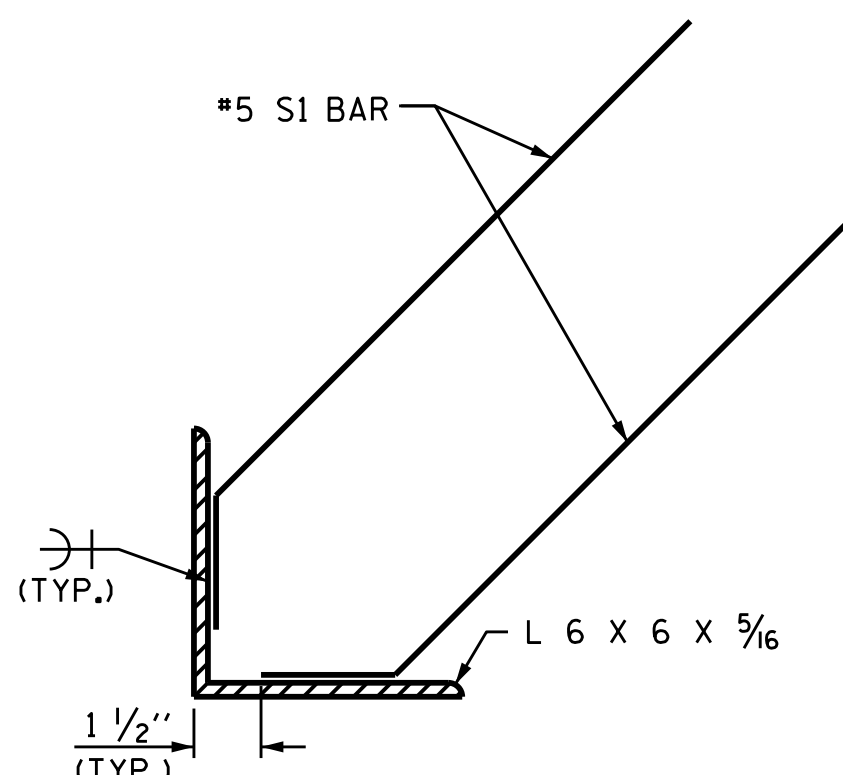


UPPER PANEL

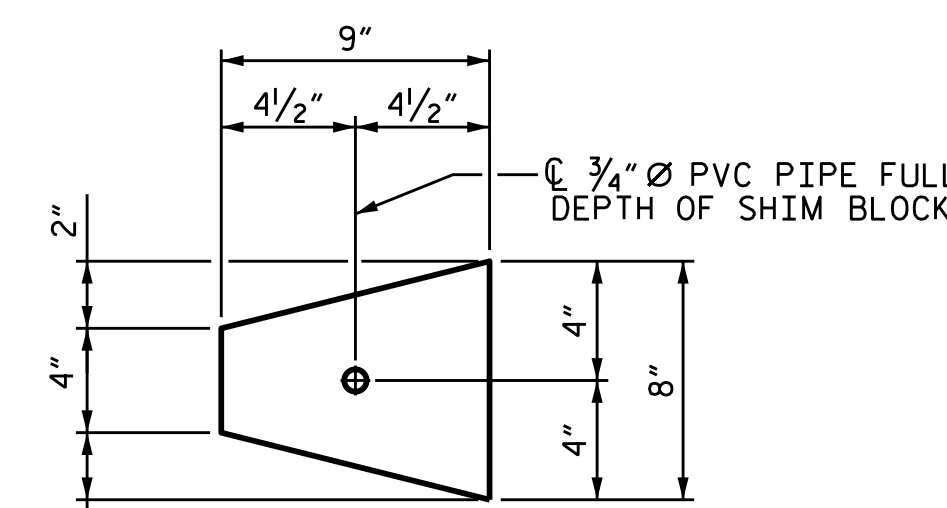


BOTTOM PANEL

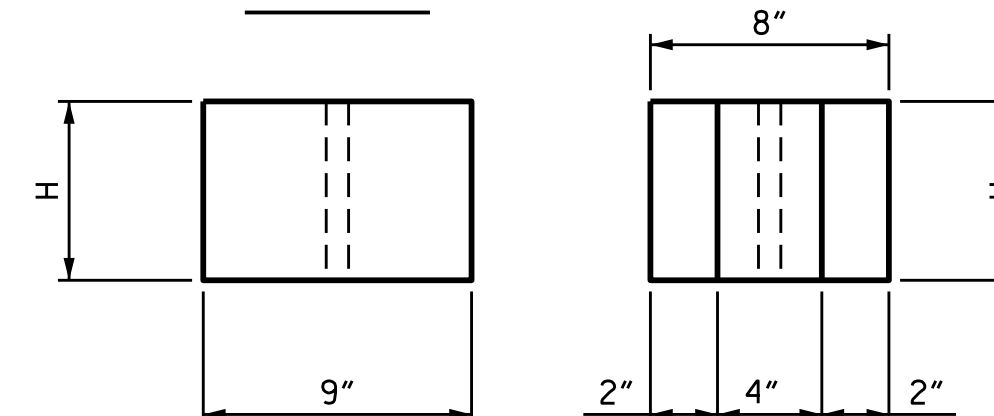
SECTION THROUGH PRECAST PANELS



DETAIL "B"



PLAN

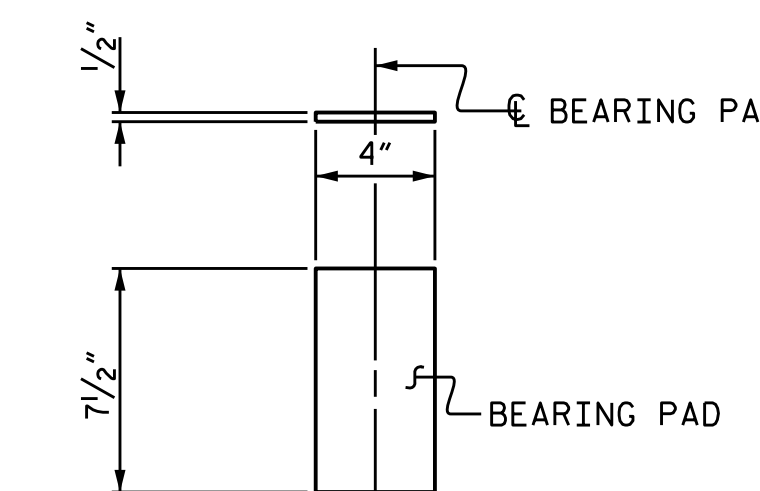


ELEVATION

END

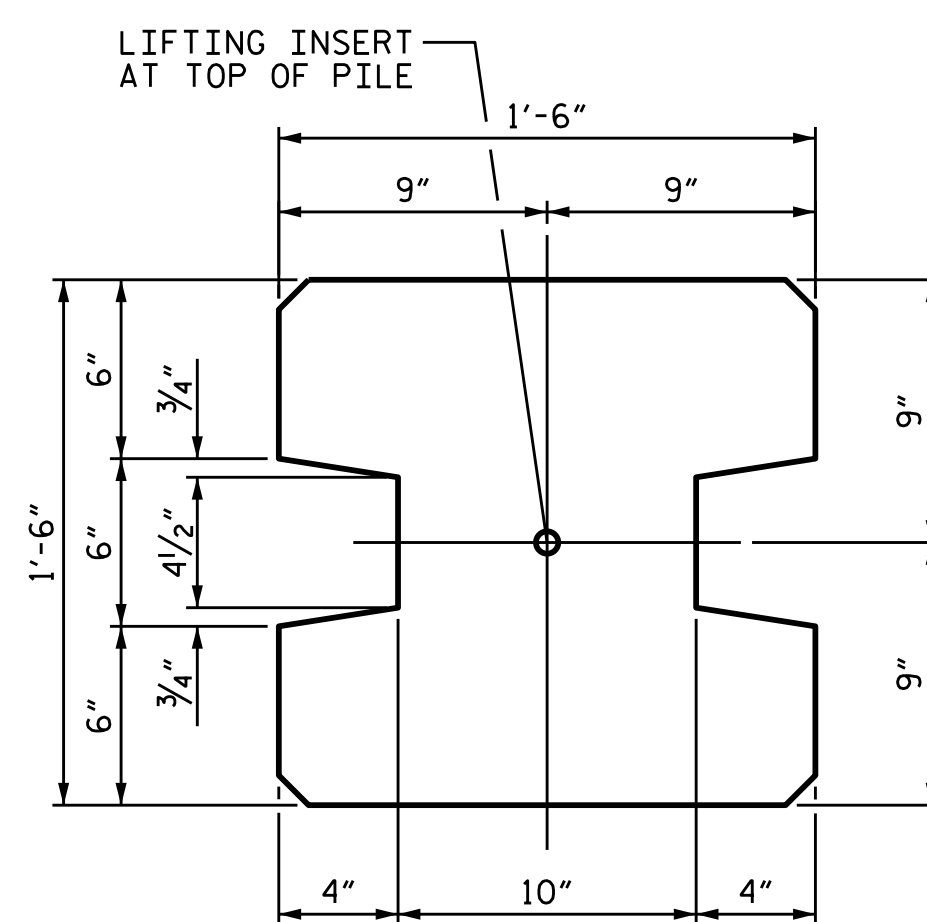
CONCRETE SHIM BLOCK

H = 3", 6" or 1'-0"

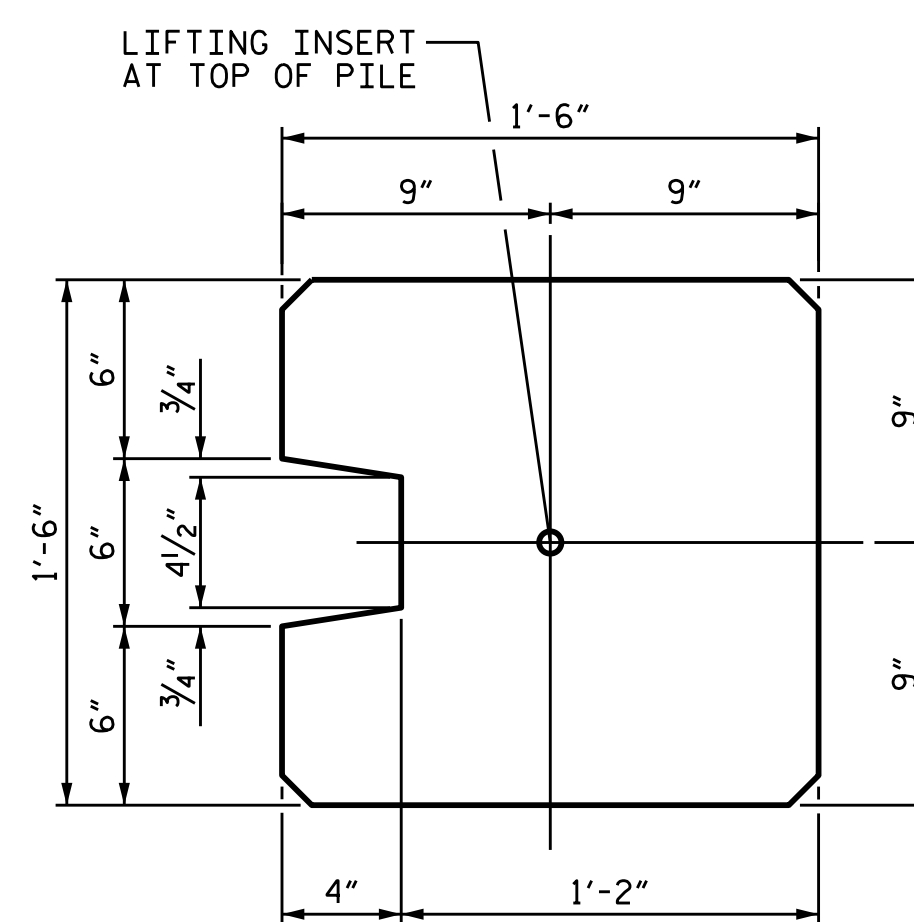


ELASTOMERIC BEARING DETAILS

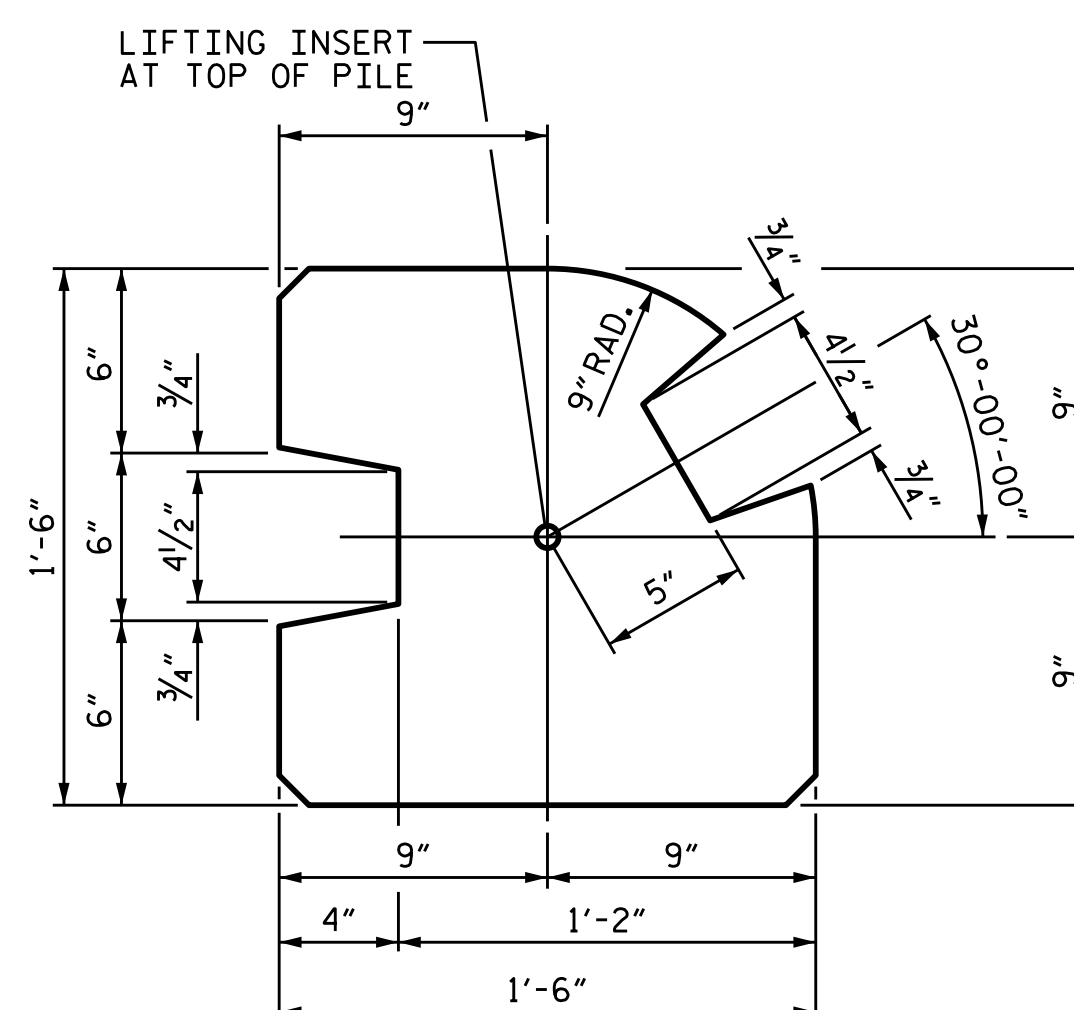
ELASTOMER IN BEARINGS SHALL BE 50 DUROMETER HARDNESS.



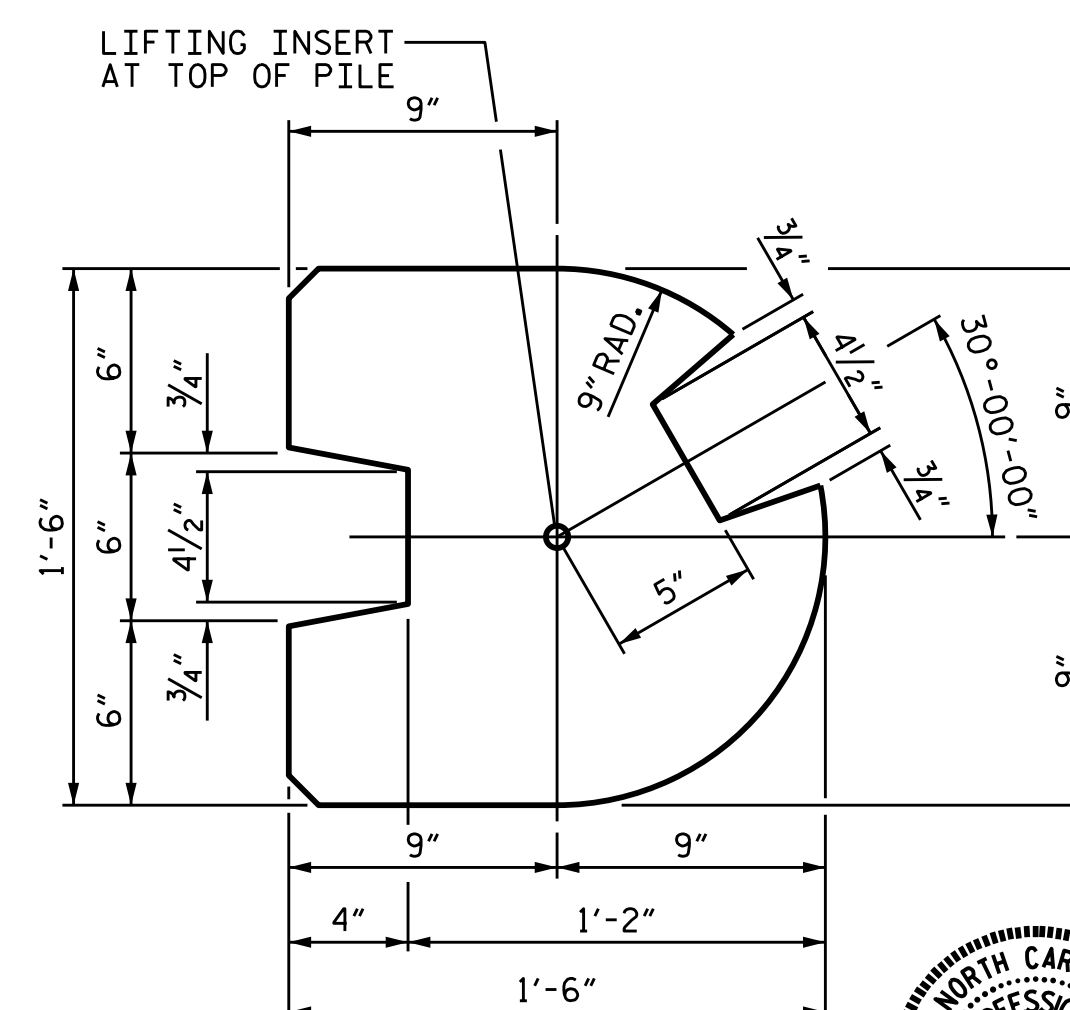
TYPE - I (AREA = 1.9444 SQ. FT.)



TYPE - II (AREA = 2.0903 SQ. FT.)



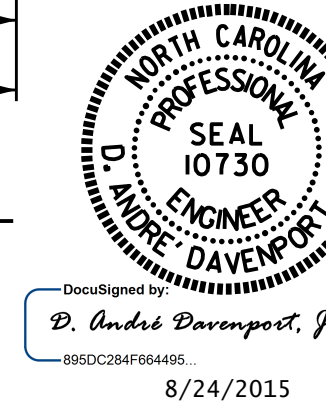
TYPE - III (AREA = 1.8336 SQ. FT.)



TYPE - III (ALT.) (AREA = 1.7163 SQ. FT.)

PILE DETAIL

(ALL CORNERS TO BE CHAMFERED 1")



PROJECT NO. B-3159
DAVIDSON COUNTY
STATION: 13+41.72 -L-

SHEET 2 OF 3

STATE OF NORTH CAROLINA
DEPARTMENT OF TRANSPORTATION
RALEIGH
STANDARD
SOUND BARRIER WALL
DETAILS

REVISIONS				SHEET NO.	
NO.	BY:	DATE:	NO.	BY:	DATE:
1			3		
2			4		

W-7
TOTAL SHEETS
8

STD. NO. SBW2

ASSEMBLED BY : D.A. DAVENPORT DATE : 6/17/15
CHECKED BY : R.P. PATEL DATE : 8/4/15
DRAWN BY : MAA 6/11
CHECKED BY : GM 6/11

ADDED 8/31/11
REV. 1/15/14 RWW/TMG