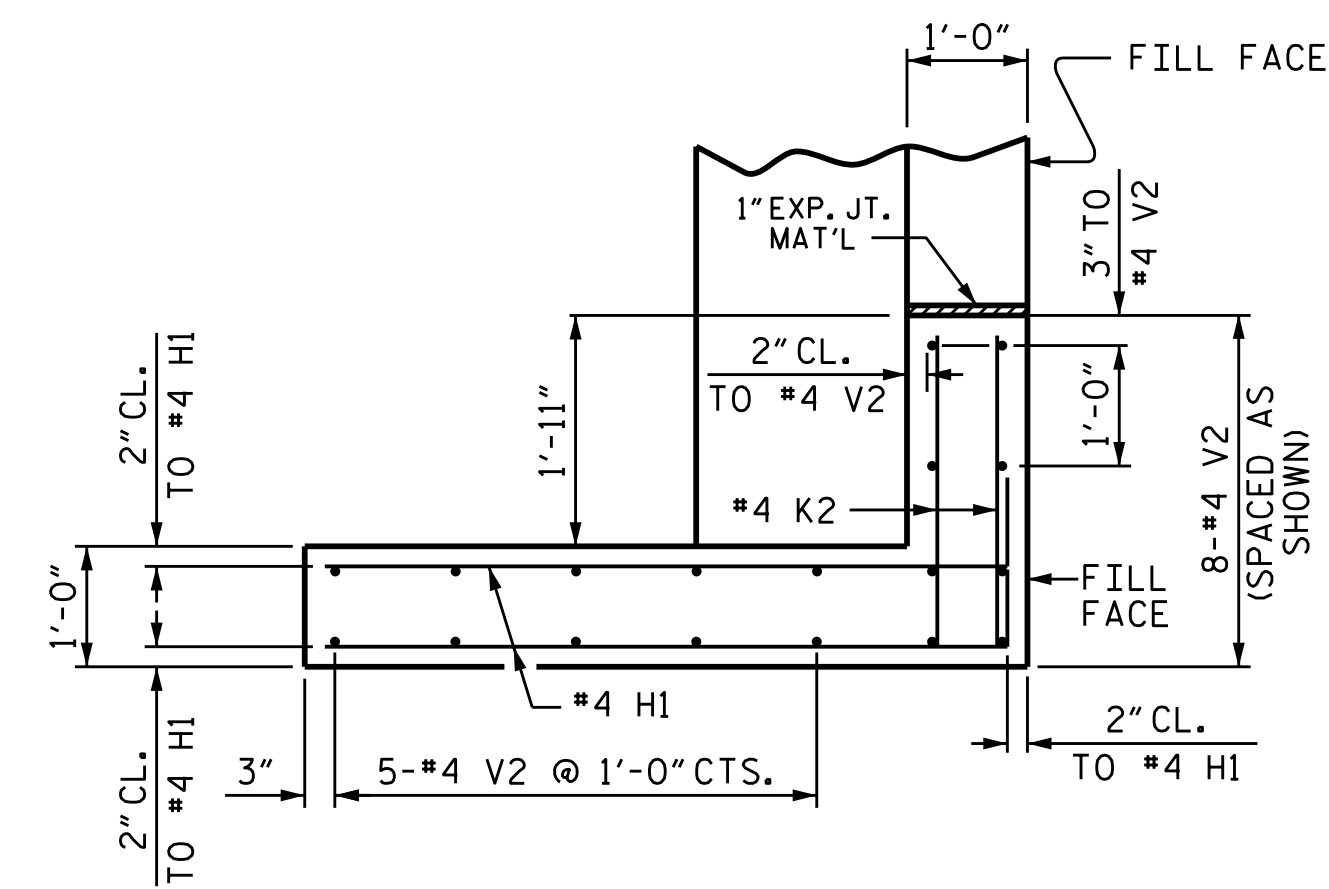
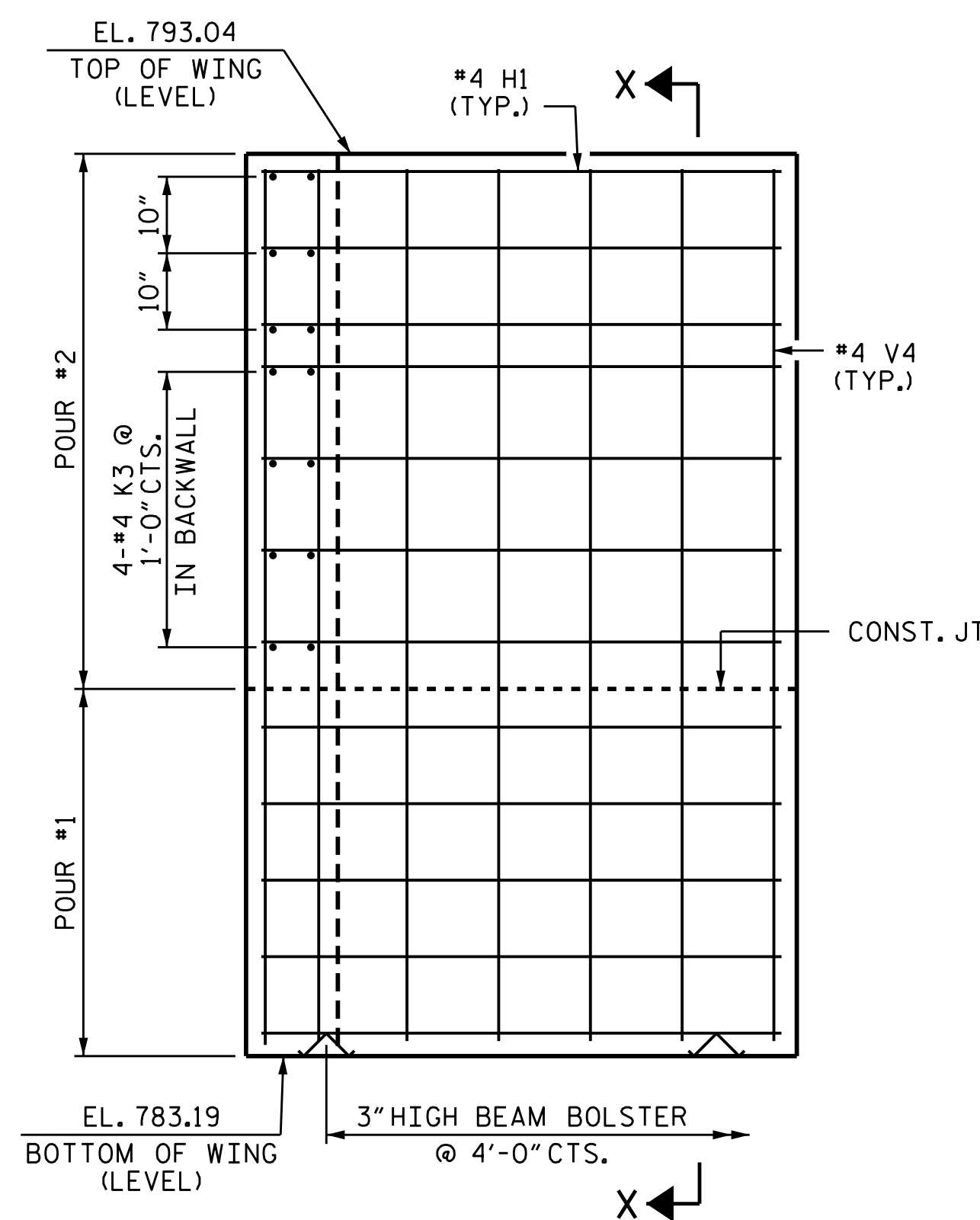


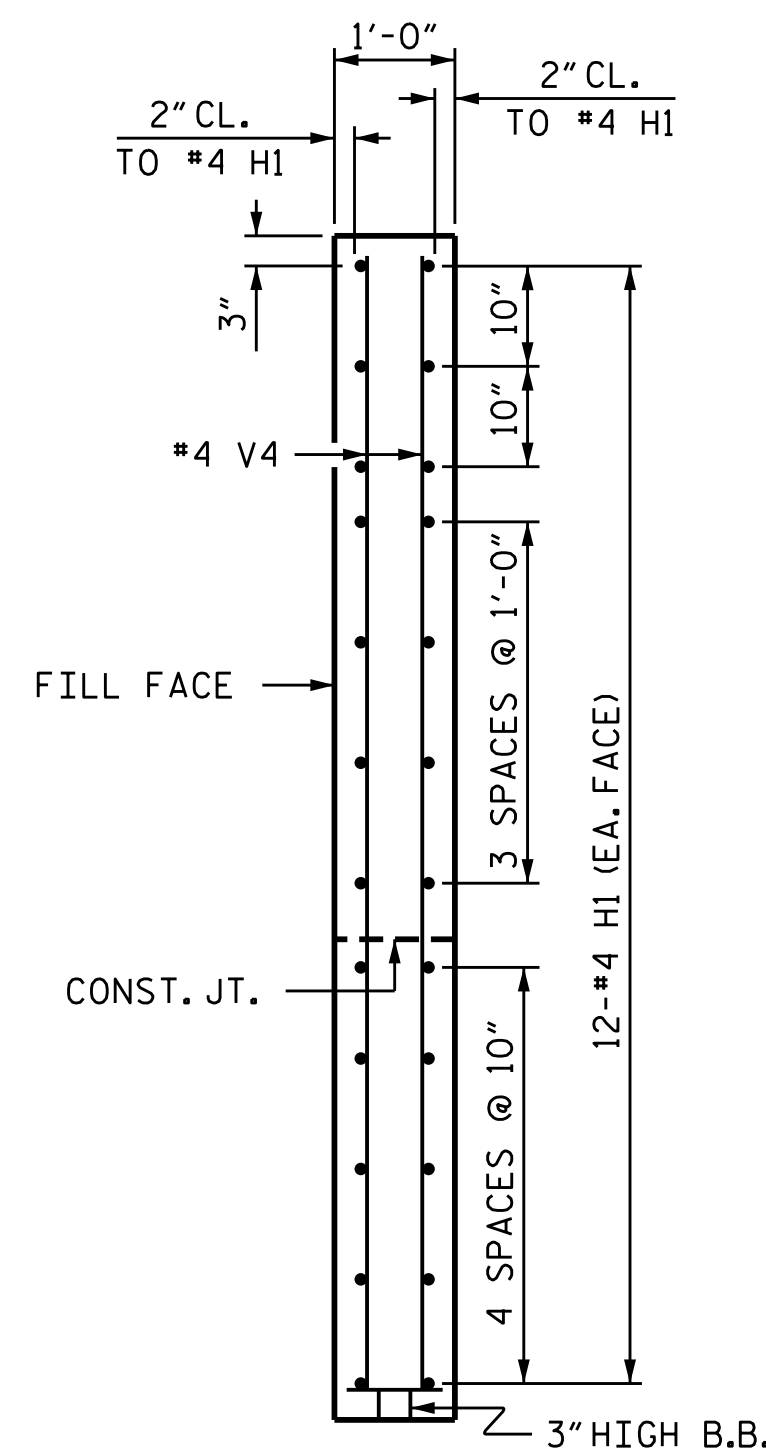
PLAN OF LEFT WING (W2)
(STAGE II)



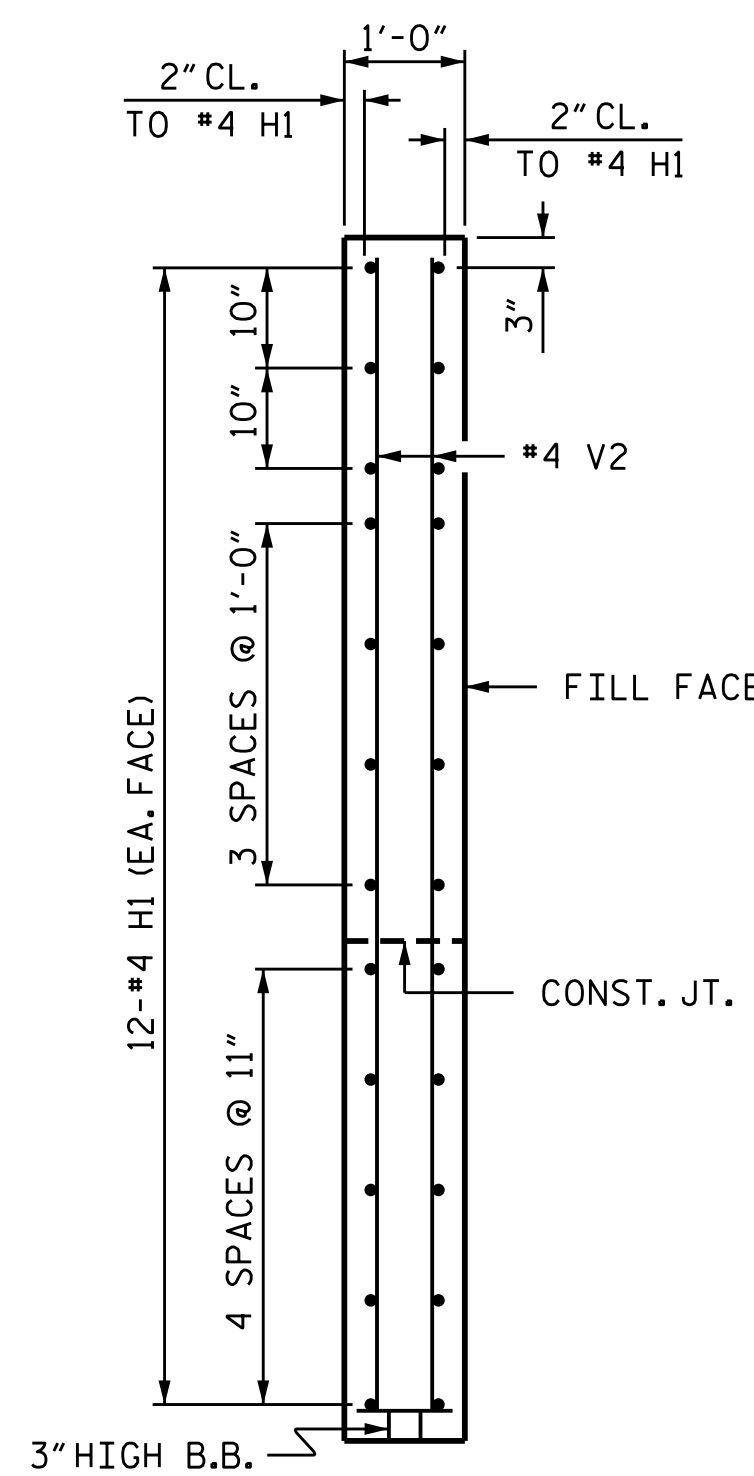
PLAN OF RIGHT WING (W1)
(STAGE I)



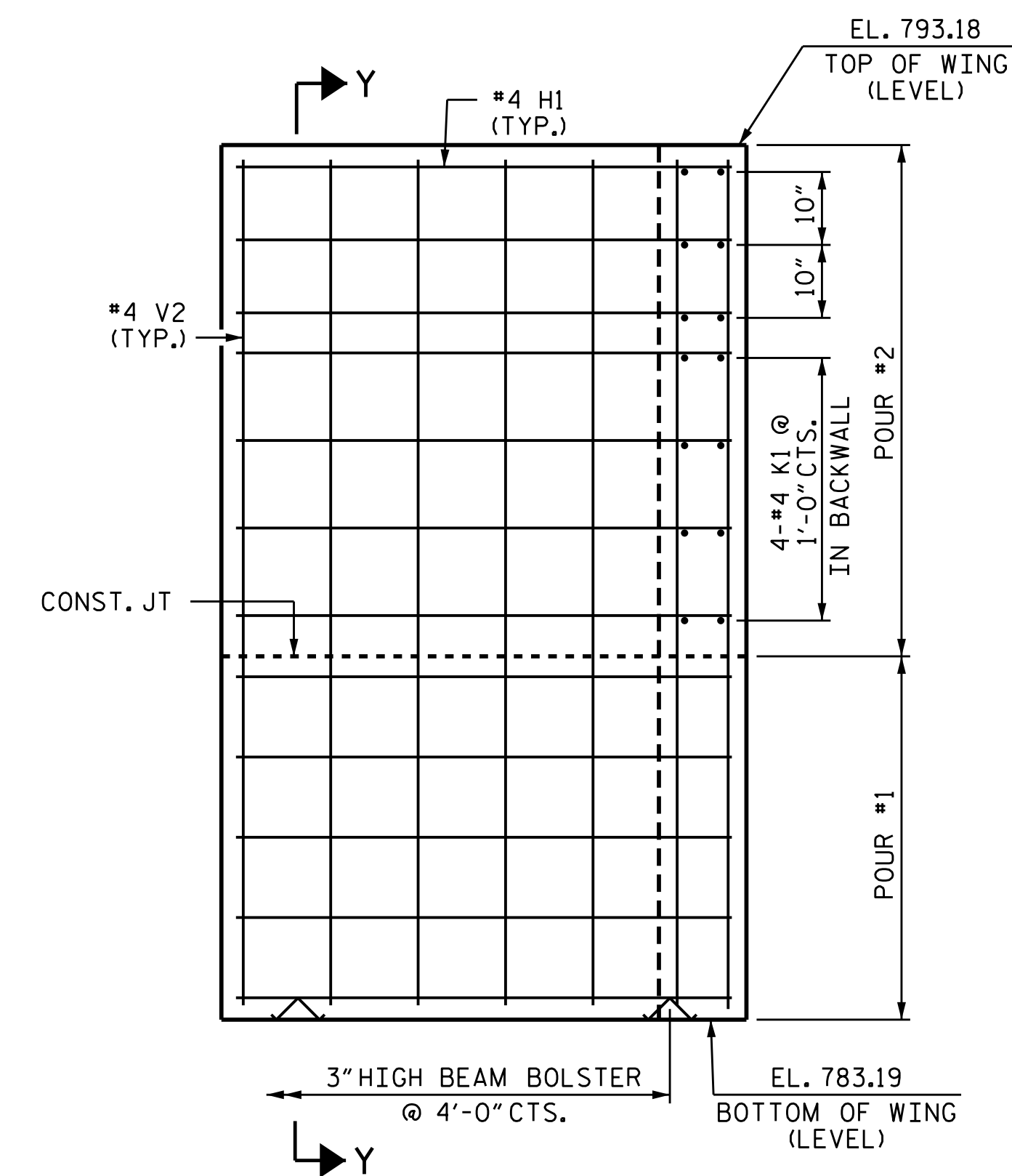
ELEVATION OF LEFT WING (W2)
(STAGE II)



SECTION X-X (W2)
(STAGE II)



SECTION Y-Y (W1)
(STAGE I)

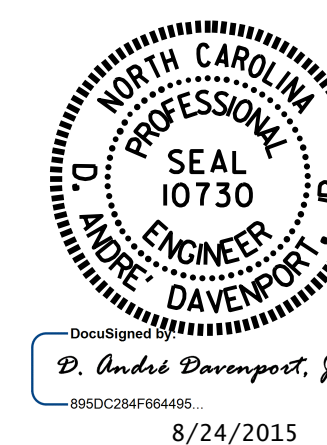


ELEVATION OF RIGHT WING (W1)
(STAGE I)

PROJECT NO. B-3159
DAVIDSON COUNTY
 STATION: 13+41.72 -L-

SHEET 3 OF 4

STATE OF NORTH CAROLINA
 DEPARTMENT OF TRANSPORTATION
 RALEIGH
 SUBSTRUCTURE
 END BENT 2



DRAWN BY : K. D. LAYNE DATE : 5/15/15
 CHECKED BY : H. P. KIM DATE : 5/28/15
 DESIGN ENGINEER OF RECORD: R. L. CHESSON DATE : 6/10/15

24-AUG-2015 12:28
 R:\Structures\Plans\B3159_SD.E2.01.dgn
 dadavenport

REVISIONS						SHEET NO.
NO.	BY:	DATE:	NO.	BY:	DATE:	S-37
1			3			TOTAL SHEETS
2			4			43