

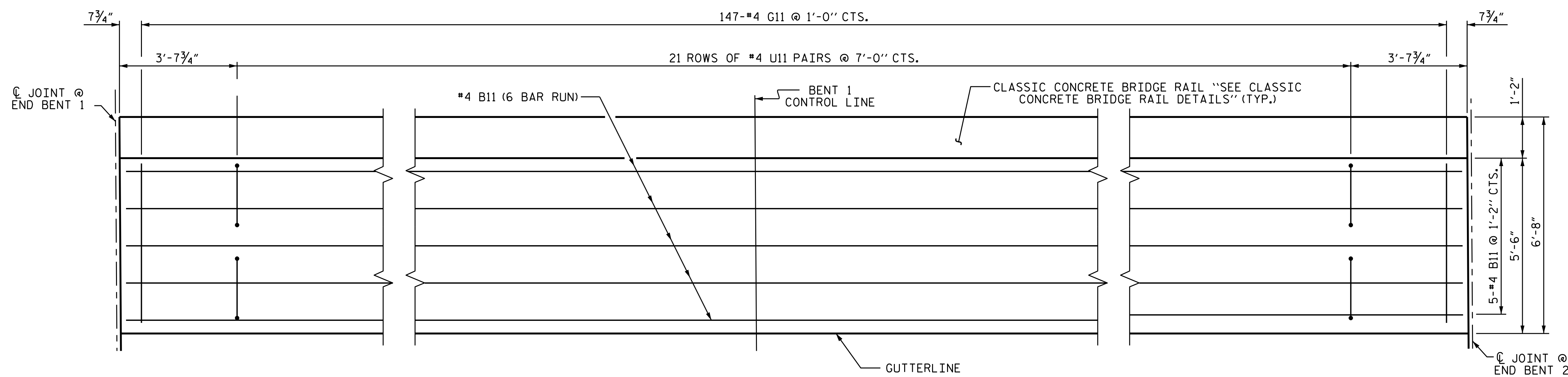
**NOTES**

THE SIDEWALK IN A CONTINUOUS UNIT SHALL NOT BE CAST UNTIL ALL SLAB CONCRETE IN THAT UNIT HAS BEEN CAST AND HAS REACHED A MINIMUM COMPRESSIVE STRENGTH OF 3,000 PSI.

PAYMENT FOR SIDEWALK SHALL BE INCLUDED IN UNIT PRICE BID FOR "REINFORCED CONCRETE DECK SLAB".

THE PATTERNED FINISH SHALL BE PAID FOR AS SQUARE FEET OF "PATTERNED CONCRETE SIDEWALK". FOR PATTERNED CONCRETE SIDEWALK, SEE SPECIAL PROVISIONS.

PAY QUANTITY	
STAGE I	736.46 SQ. FT.
STAGE II	736.46 SQ. FT.
TOTAL	1,472.92 SQ. FT.



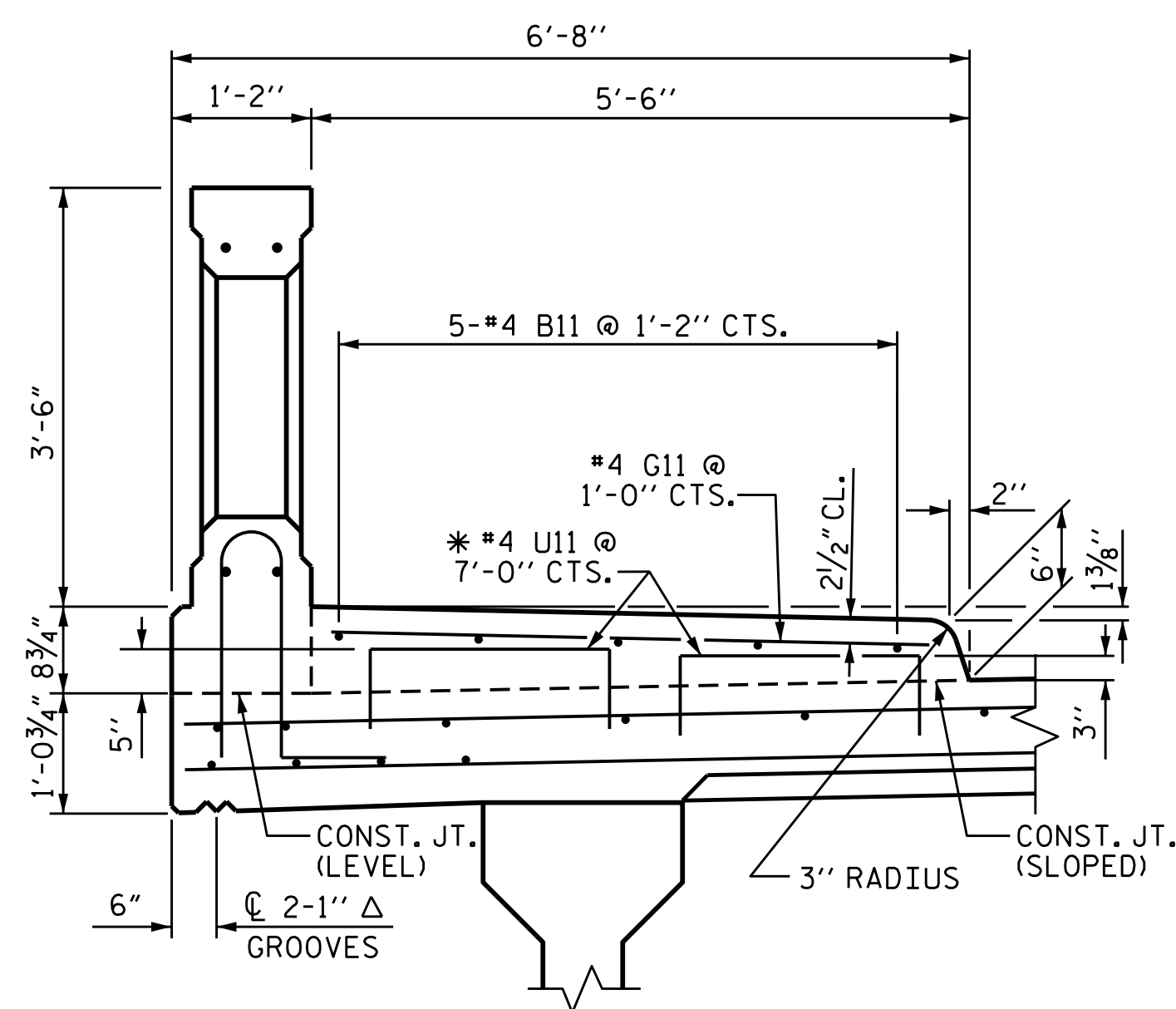
SPAN A

SPAN B

**PLAN OF SIDEWALK**

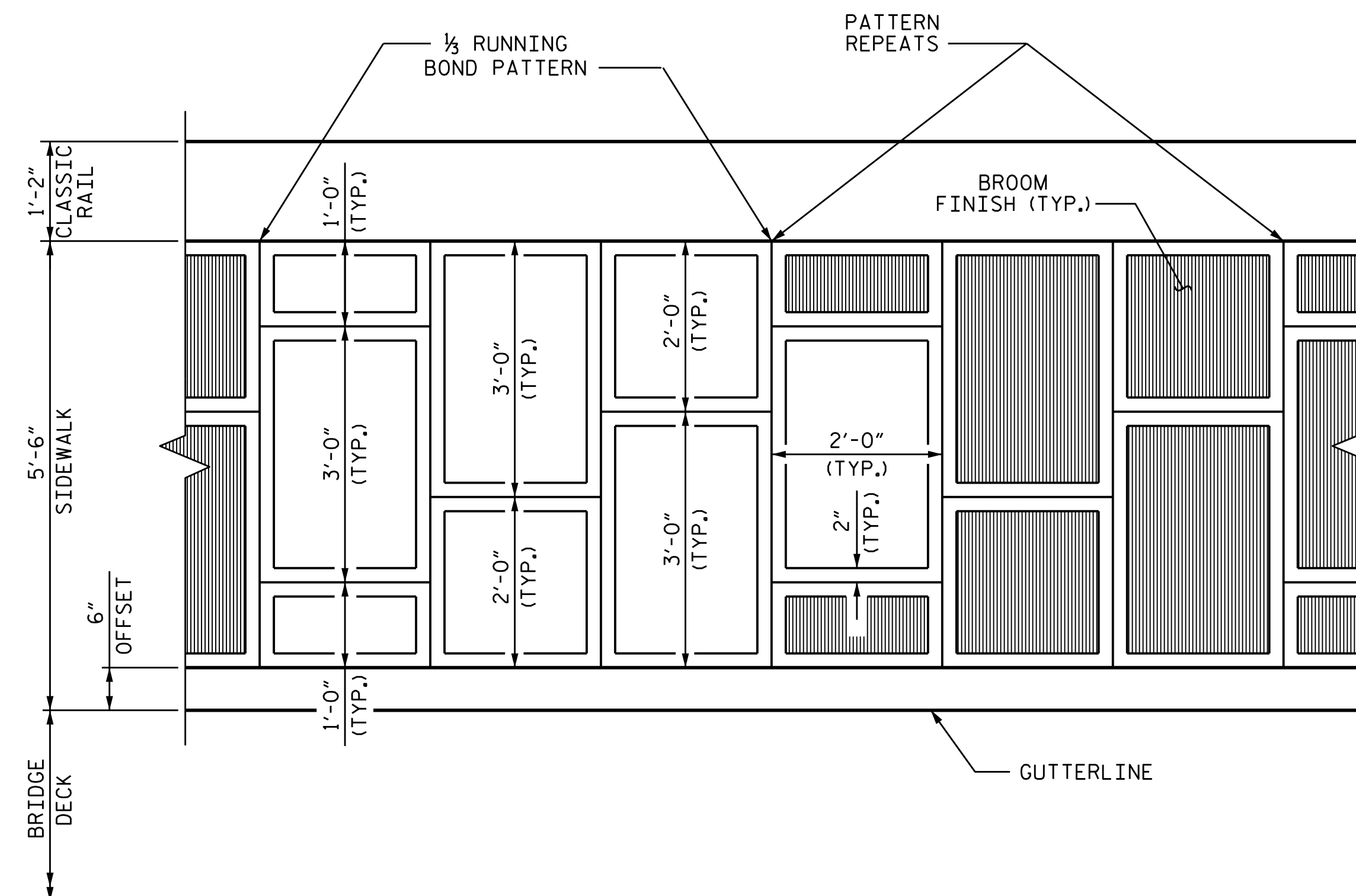
LEFT SIDE SHOWN, RIGHT SIDE SIMILAR

FOR SIDEWALK ON APPROACH SLABS, SEE "BRIDGE APPROACH SLAB" SHEETS.



**SECTION THROUGH SIDEWALK**

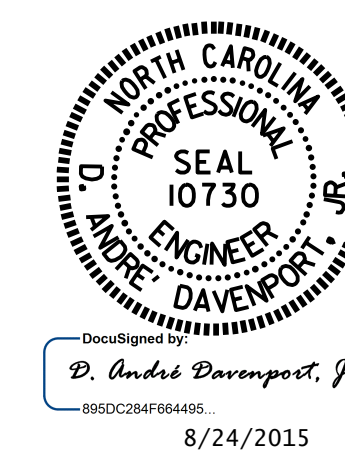
\*U11 BARS MAY BE PUSHED INTO GREEN CONCRETE AFTER SPAN HAS BEEN SCREEDED OFF.



**PATTERN DETAIL**

PROJECT NO. B-3159  
DAVIDSON COUNTY  
 STATION: 13+41+72 -L-

STATE OF NORTH CAROLINA  
 DEPARTMENT OF TRANSPORTATION  
 RALEIGH  
 SUPERSTRUCTURE  
 SIDEWALK  
 DETAILS



REVISIONS						SHEET NO.
NO.	BY:	DATE:	NO.	BY:	DATE:	S-11
1			3			TOTAL SHEETS
2			4			43

DRAWN BY: K.D. LAYNE DATE: 4-21-14  
 CHECKED BY: J.D. HAWK DATE: 5-12-15