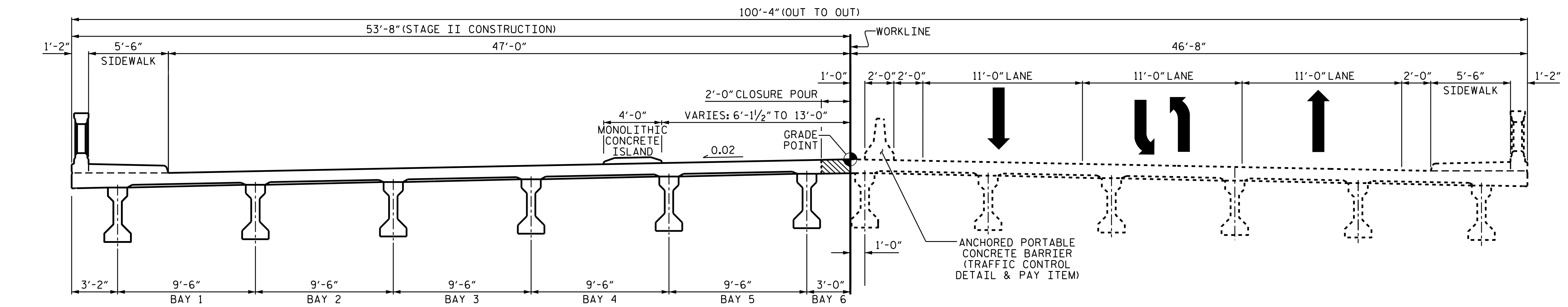
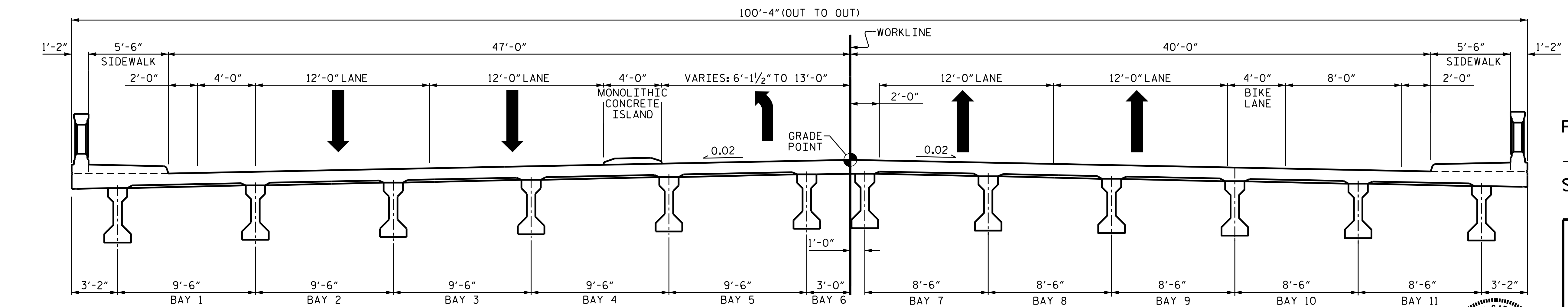


NOTE
SEE TRAFFIC MANAGEMENT PLANS FOR LOCATION AND PAY LIMITS OF THE ANCHORED PORTABLE CONCRETE BARRIER.

STAGE I
MAINTAIN 2-WAY TRAFFIC ON EXISTING STRUCTURE. CONSTRUCT STAGE I OF PROPOSED STRUCTURE.



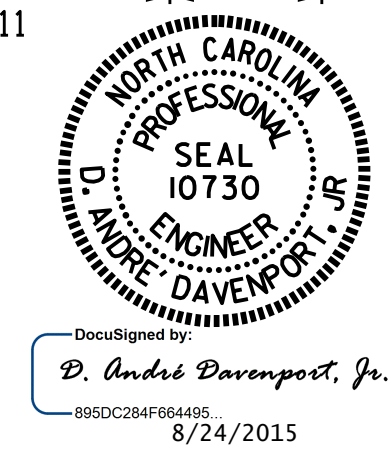
STAGE II
SHIFT 2-WAY TRAFFIC TO NEW STRUCTURE. REMOVE EXISTING STRUCTURE. CONSTRUCT STAGE II OF PROPOSED STRUCTURE.



FINAL
AFTER STAGE II CONSTRUCTION IS COMPLETE, REMOVE PORTABLE CONCRETE BARRIER AND SHIFT TRAFFIC TO FINAL 2-WAY TRAFFIC PATTERN.

PROJECT NO. B-3159
DAVIDSON COUNTY
STATION: 13+41.72 -L-

STATE OF NORTH CAROLINA DEPARTMENT OF TRANSPORTATION RALEIGH					
CONSTRUCTION SEQUENCE					
REVISIONS					SHEET NO.
NO.	BY:	DATE:	NO.	BY:	DATE:
1			3		
2			4		
					TOTAL SHEETS 43



DRAWN BY: D.A. DAVENPORT DATE: 11/06/14
CHECKED BY: M.K. BEARD DATE: 11/7/14
DESIGN ENGINEER OF RECORD: R.L. CHESSON DATE: 6/10/15