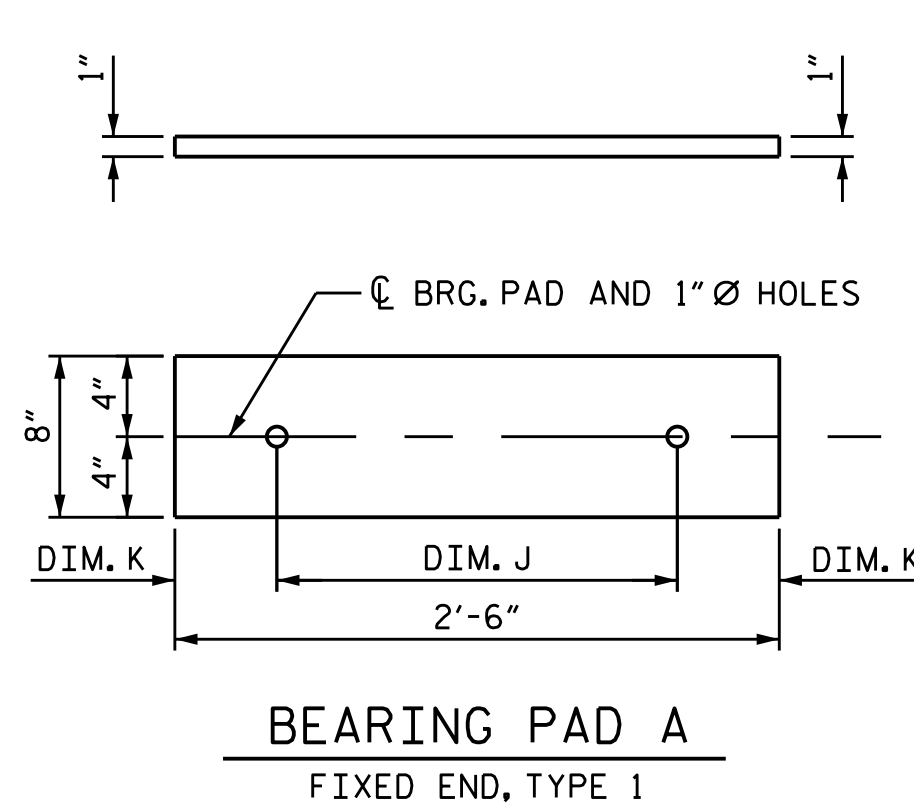
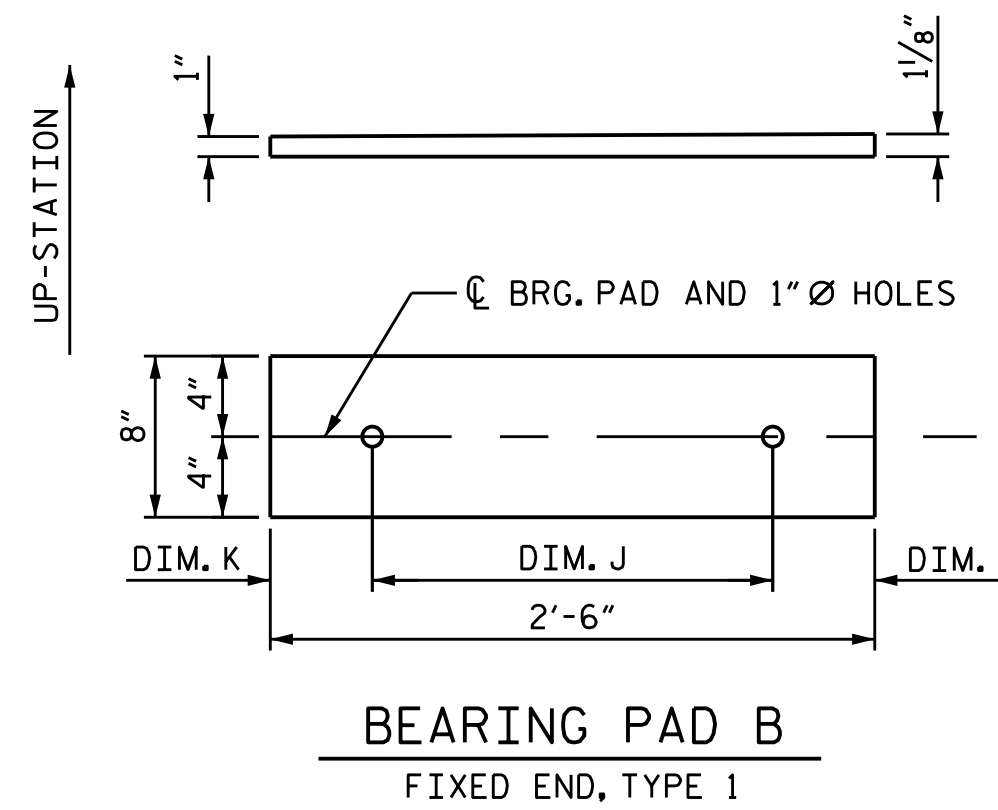


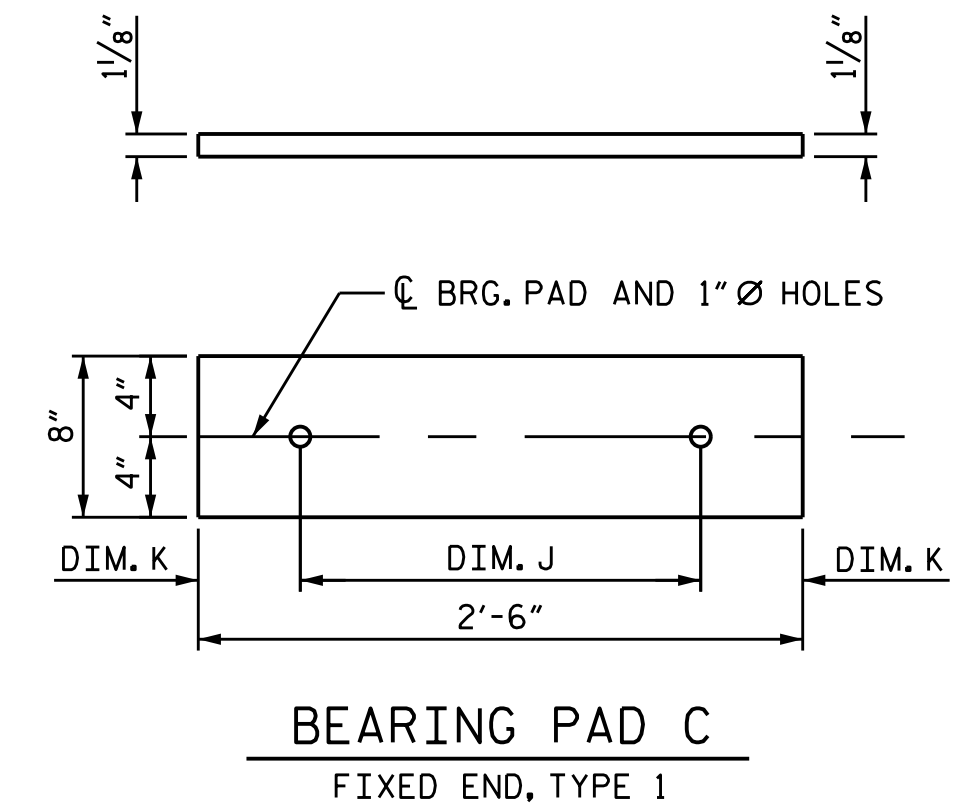
ANGLES AND DIMENSIONS FOR PLAN OF SPANS B THRU V									
SPAN	ANGLE A	DIM. A	DIM. B	DIM. C	DIM. D	DIM. E	DIM. F	DIM. G	DIM. I
SPAN B	106°-36'-1.2"	2'-5 1/4"	49'-10 1/2"	24'-11 1/4"	16'-7 1/2"	16'-7 1/2"	5'-4 3/8"	2'-2 5/16"	11 1/4"
SPAN C	106°-36'-1.2"	2'-5 1/4"	49'-10 1/2"	24'-11 1/4"	16'-7 1/2"	16'-7 1/2"	5'-4 3/8"	2'-2 5/16"	11 1/4"
SPAN D	106°-36'-1.2"	2'-5 1/4"	49'-10 1/2"	24'-11 1/4"	16'-7 1/2"	16'-7 1/2"	5'-4 3/8"	2'-2 5/16"	11 1/4"
SPAN E	105°-36'-19.7"	2'-5 3/16"	49'-10 3/8"	24'-11 3/16"	16'-7 1/2"	16'-7 1/2"	5'-4 1/4"	2'-3 1/8"	11 1/4"
SPAN F	105°-36'-19.7"	2'-5 3/16"	49'-10 3/8"	24'-11 3/16"	16'-7 1/2"	16'-7 3/8"	5'-4 3/16"	2'-3 1/8"	11 3/16"
SPAN G	105°-36'-19.7"	2'-5 1/4"	49'-10 1/2"	24'-11 1/4"	16'-7 1/2"	16'-7 1/2"	5'-4 1/4"	2'-3 1/8"	11 1/4"
SPAN H	103°-1'-18.4"	2'-5 1/4"	49'-10 1/2"	24'-11 1/4"	16'-7 1/2"	16'-7 1/2"	5'-3 7/16"	2'-3 3/16"	11 1/4"
SPAN I	103°-1'-18.4"	2'-5 3/16"	49'-10 3/8"	24'-11 3/16"	16'-7 1/2"	16'-7 3/8"	5'-3 3/8"	2'-3 1/2"	11 3/16"
SPAN J	103°-1'-18.4"	2'-5 1/4"	49'-10 1/2"	24'-11 1/4"	16'-7 1/2"	16'-7 1/2"	5'-3 3/16"	2'-3 3/16"	11 1/4"
SPAN K	100°-25'-2.7"	2'-5 1/4"	49'-10 1/2"	24'-11 1/4"	16'-7 1/2"	16'-7 1/2"	5'-2 9/16"	2'-4"	11 1/4"
SPAN L	100°-25'-2.7"	2'-5 3/16"	49'-10 3/8"	24'-11 3/16"	16'-7 1/2"	16'-7 3/8"	5'-2 1/2"	2'-3 5/16"	11 3/16"
SPAN M	100°-25'-2.7"	2'-5 1/4"	49'-10 1/2"	24'-11 1/4"	16'-7 1/2"	16'-7 1/2"	5'-2 9/16"	2'-4"	11 1/4"
SPAN N	97°-48'-47.0"	2'-5 1/4"	49'-10 1/2"	24'-11 1/4"	16'-7 1/2"	16'-7 1/2"	5'-1 3/4"	2'-4 3/8"	11 1/4"
SPAN O	97°-48'-47.0"	2'-5 3/16"	49'-10 3/8"	24'-11 3/16"	16'-7 1/2"	16'-7 3/8"	5'-1 11/16"	2'-4 3/8"	11 3/16"
SPAN P	97°-48'-47.0"	2'-5 1/4"	49'-10 1/2"	24'-11 1/4"	16'-7 1/2"	16'-7 1/2"	5'-1 3/4"	2'-4 3/8"	11 1/4"
SPAN Q	95°-12'-31.3"	2'-5 1/4"	49'-10 1/2"	24'-11 1/4"	16'-7 1/2"	16'-7 1/2"	5'-0 7/8"	2'-4 3/16"	11 1/4"
SPAN R	95°-12'-31.3"	2'-5 3/16"	49'-10 3/8"	24'-11 3/16"	16'-7 1/2"	16'-7 3/8"	5'-0 3/16"	2'-4 3/4"	11 3/16"
SPAN S	95°-12'-31.3"	2'-5 1/4"	49'-10 1/2"	24'-11 1/4"	16'-7 1/2"	16'-7 1/2"	5'-0 7/8"	2'-4 3/16"	11 1/4"
SPAN T	92°-36'-15.7"	2'-5 1/4"	49'-10 1/2"	24'-11 1/4"	16'-7 1/2"	16'-7 1/2"	5'-0 1/16"	2'-5 3/16"	11 1/4"
SPAN U	92°-36'-15.7"	2'-5 3/16"	49'-10 3/8"	24'-11 3/16"	16'-7 1/2"	16'-7 3/8"	5'-0"	2'-5 3/16"	11 3/16"
SPAN V	92°-36'-15.7"	2'-5 1/4"	49'-10 1/2"	24'-11 1/4"	16'-7 1/2"	16'-7 1/2"	5'-0 1/16"	2'-5 3/16"	11 1/4"



BRG.	DIM. J	DIM. K	REQ'D
A1	1'-7 7/8"	5 1/16"	12
A2	1'-7 3/4"	5 1/8"	60
A3	1'-7 1/2"	5 1/4"	216
A4	1'-7 3/8"	5 3/16"	144
A5	1'-7 1/4"	5 3/8"	144
A6	1'-7 1/8"	5 1/16"	144
A7	1'-7"	5 1/2"	216



BRG.	DIM. J	DIM. K	REQ'D
B1	1'-7 7/8"	5 1/16"	48
B2	1'-7 1/2"	5 1/4"	48



BRG.	DIM. J	DIM. K	REQ'D
C1	1'-7 7/8"	5 1/16"	36
C2	1'-7 3/4"	5 1/8"	12
C3	1'-7 1/2"	5 1/4"	48

### ELASTOMERIC BEARING DETAILS

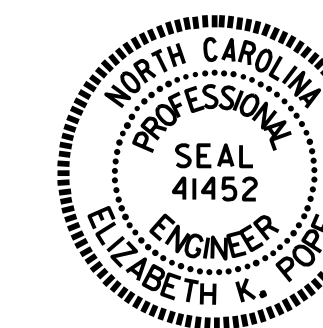
ELASTOMER IN ALL BEARINGS SHALL BE 50 DUROMETER HARDNESS.

DIMENSIONS FOR PLAN OF SPANS W THRU Y							
SPAN	DIM. A	DIM. B	DIM. C	DIM. D	DIM. E	DIM. H	DIM. I
SPAN W	2'-5 1/4"	49'-10 1/2"	24'-11 1/4"	16'-7 1/2"	16'-7 1/2"	11 1/4"	8 3/4"
SPAN X	2'-5 3/16"	49'-10 3/8"	24'-11 3/16"	16'-7 1/2"	16'-7 3/8"	11 3/16"	8 11/16"
SPAN Y	2'-5 1/4"	49'-10 1/2"	24'-11 1/4"	16'-7 1/2"	16'-7 1/2"	11 1/4"	8 3/4"

ANGLES AND DIMENSIONS FOR PLAN OF SPANS Z THRU TT									
SPAN	ANGLE A	DIM. A	DIM. B	DIM. C	DIM. D	DIM. E	DIM. F	DIM. G	DIM. I
SPAN Z	87°-23'-44.3"	2'-5 1/4"	49'-10 1/2"	24'-11 1/4"	16'-7 1/2"	16'-7 1/2"	5'-0 1/16"	2'-5 3/16"	11 1/4"
SPAN AA	87°-23'-44.3"	2'-5 3/16"	49'-10 3/8"	24'-11 3/16"	16'-7 1/2"	16'-7 3/8"	5'-0"	2'-5 3/16"	11 3/16"
SPAN BB	87°-23'-44.3"	2'-5 1/4"	49'-10 1/2"	24'-11 1/4"	16'-7 1/2"	16'-7 1/2"	5'-0 1/16"	2'-5 3/16"	11 1/4"
SPAN CC	84°-47'-28.7"	2'-5 1/4"	49'-10 1/2"	24'-11 1/4"	16'-7 1/2"	16'-7 1/2"	5'-0 7/8"	2'-4 3/16"	11 1/4"
SPAN DD	84°-47'-28.7"	2'-5 3/16"	49'-10 3/8"	24'-11 3/16"	16'-7 1/2"	16'-7 3/8"	5'-0 3/16"	2'-4 3/4"	11 3/16"
SPAN EE	84°-47'-28.7"	2'-5 1/4"	49'-10 1/2"	24'-11 1/4"	16'-7 1/2"	16'-7 1/2"	5'-0 7/8"	2'-4 3/16"	11 1/4"
SPAN FF	82°-11'-13.0"	2'-5 1/4"	49'-10 1/2"	24'-11 1/4"	16'-7 1/2"	16'-7 1/2"	5'-1 3/4"	2'-4 3/8"	11 1/4"
SPAN GG	82°-11'-13.0"	2'-5 3/16"	49'-10 3/8"	24'-11 3/16"	16'-7 1/2"	16'-7 3/8"	5'-1 11/16"	2'-4 3/8"	11 3/16"
SPAN HH	82°-11'-13.0"	2'-5 1/4"	49'-10 1/2"	24'-11 1/4"	16'-7 1/2"	16'-7 1/2"	5'-1 3/4"	2'-4 3/8"	11 1/4"
SPAN II	79°-34'-57.3"	2'-5 1/4"	49'-10 1/2"	24'-11 1/4"	16'-7 1/2"	16'-7 1/2"	5'-2 9/16"	2'-4"	11 1/4"
SPAN JJ	79°-34'-57.3"	2'-5 3/16"	49'-10 3/8"	24'-11 3/16"	16'-7 1/2"	16'-7 3/8"	5'-2 1/2"	2'-3 5/16"	11 3/16"
SPAN KK	79°-34'-57.3"	2'-5 1/4"	49'-10 1/2"	24'-11 1/4"	16'-7 1/2"	16'-7 1/2"	5'-2 9/16"	2'-4"	11 1/4"
SPAN LL	77°-11'-37.1"	2'-5 1/4"	49'-10 1/2"	24'-11 1/4"	16'-7 1/2"	16'-7 1/2"	5'-3 9/16"	2'-3 9/16"	11 1/4"
SPAN MM	77°-11'-37.1"	2'-5 3/16"	49'-10 3/8"	24'-11 3/16"	16'-7 1/2"	16'-7 3/8"	5'-3 1/4"	2'-3 9/16"	11 3/16"
SPAN NN	77°-11'-37.1"	2'-5 1/4"	49'-10 1/2"	24'-11 1/4"	16'-7 1/2"	16'-7 1/2"	5'-3 5/16"	2'-3 9/16"	11 1/4"
SPAN OO	76°-44'-7.2"	2'-5 1/4"	49'-10 1/2"	24'-11 1/4"	16'-7 1/2"	16'-7 1/2"	5'-3 1/2"	2'-3 1/2"	11 1/4"
SPAN PP	76°-44'-7.2"	2'-5 1/4"	49'-10 1/2"	24'-11 1/4"	16'-7 1/2"	16'-7 1/2"	5'-3 1/2"	2'-3 1/2"	11 1/4"
SPAN QQ	76°-44'-7.2"	2'-5 1/4"	49'-10 1/2"	24'-11 1/4"	16'-7 1/2"	16'-7 1/2"	5'-3 1/2"	2'-3 1/2"	11 1/4"
SPAN RR	76°-49'-51.6"	2'-5 1/4"	49'-10 1/2"	24'-11 1/4"	16'-7 1/2"	16'-7 1/2"	5'-3 3/16"	2'-3 3/16"	11 1/4"
SPAN SS	76°-49'-51.6"	2'-5 1/4"	49'-10 1/2"	24'-11 1/4"	16'-7 1/2"	16'-7 1/2"	5'-3 3/16"	2'-3 3/16"	11 1/4"
SPAN TT	76°-49'-51.6"	2'-5 1/4"	49'-10 1/2"	24'-11 1/4"	16'-7 1/2"	16'-7 1/2"	5'-3 3/16"	2'-3 3/16"	11 1/4"

PROJECT NO. B-2500AB  
DARE COUNTY  
STATION: 3170+75.00 -L-

SHEET 7 OF 11



STATE OF NORTH CAROLINA  
DEPARTMENT OF TRANSPORTATION  
RALEIGH

### SUPERSTRUCTURE TABLES AND DETAILS

ASSEMBLED BY : E. K. POPE, P.E. DATE : 5/15  
CHECKED BY : B. L. GREEN, P.E. DATE : 6/15  
DRAWN BY : DGE 5/09 REV. 12/5/11 MAA/AAC  
CHECKED BY : BCH 6/09 REV. 8/14 MAA/TMG

DocuSigned by:  
Elizabeth K. Pope  
FA888D1C044440  
8/20/2015

REVISIONS						SHEET NO.
NO.	BY:	DATE:	NO.	BY:	DATE:	S-17
1			3			TOTAL SHEETS
2			4			44