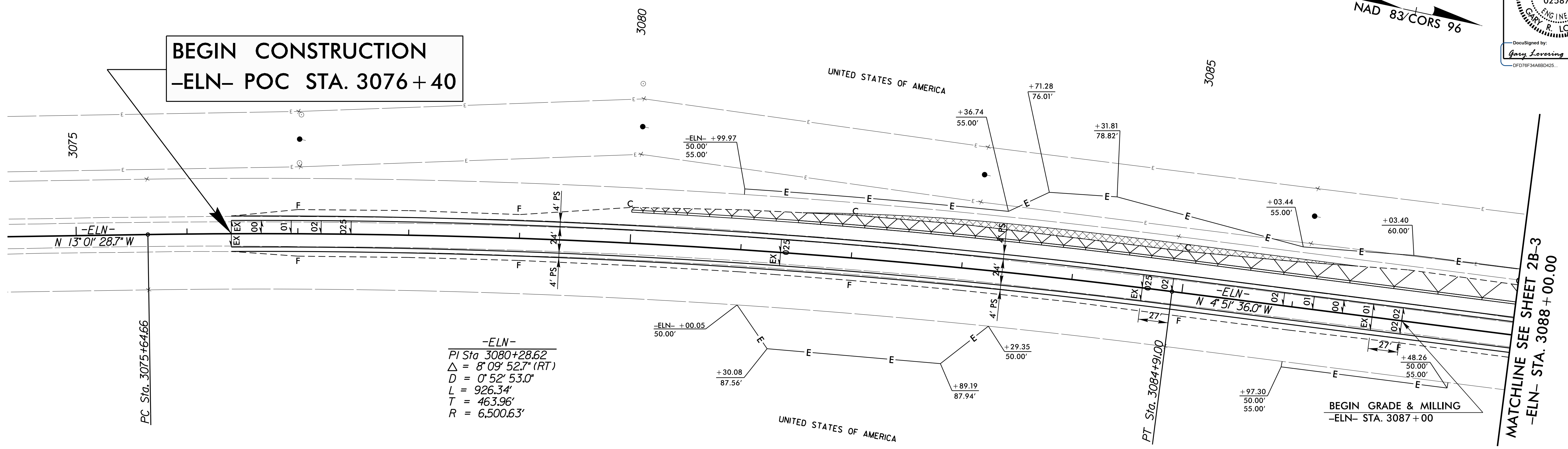


NAD 83/CORS 96

PLAN SHEET FOR DETOUR REMOVAL
AND NC-12 PAVEMENT REPAIR ONLY.

BEGIN CONSTRUCTION
-ELN- POC STA. 3076+40

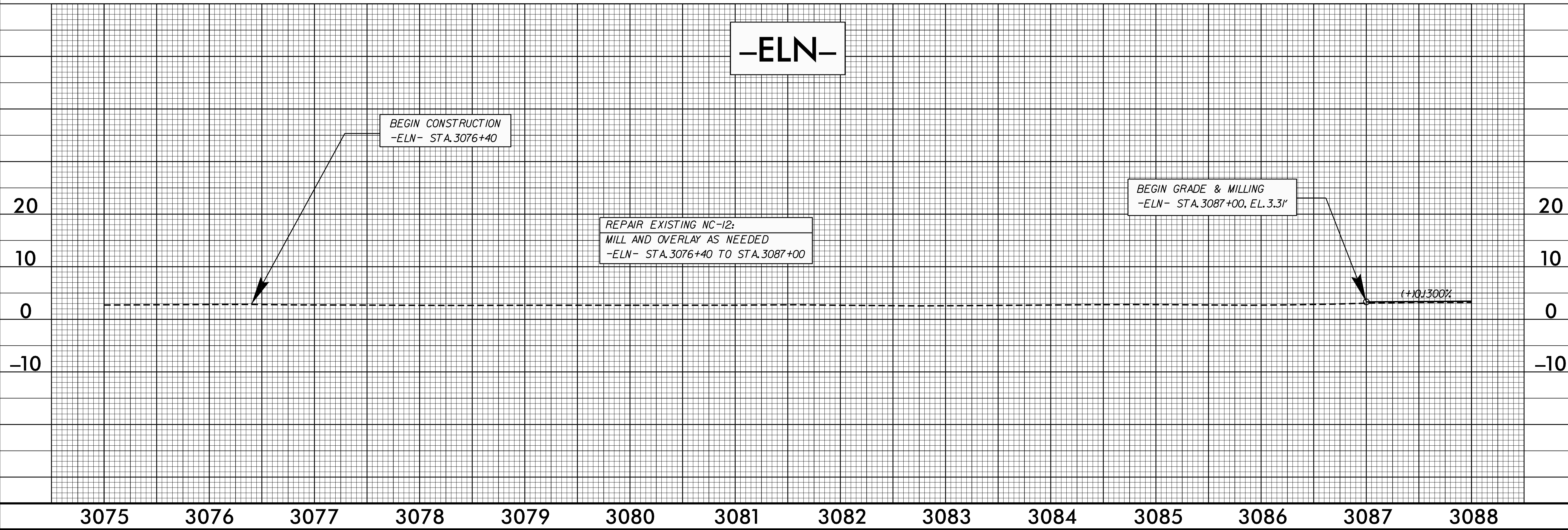


-ELN-
PI Sta. 3080+28.62
 $\Delta = 8^\circ 09' 52.7\" (RT)$
 $D = 0^\circ 52' 53.0\"$
 $L = 926.34'$
 $T = 463.96'$
 $R = 6,500.63'$

PAVEMENT REMOVAL

MATCHLINE SEE SHEET 2B-3
-ELN- STA. 3088+00.00

-ELN-



8/17/99
07-AUG-2015 10:53 B2500AB_R.dwg.dtl 2B-2.dgn
S:\ASPC\PROJECTS\B2500AB\B2500AB.dwg